

# SPRAY GUNS & ACCESSORIES FOR CAR REFINISH



## 2025 PRICE LIST



PROFESSIONAL COATING EQUIPMENT SPECIALIST







# PASSION FOR PAINTING

We are passionate about painting and eager about creating; for this, we design spray guns which help you to cross any boundary.

YOUR CUSTOMERS, OUR MISSION.

## GROUP

Anest Iwata boasts more than 95 years of experience in the coating industry, combining the most sophisticated traditional Japanese craftsmanship with the continuous pursuit of cutting-edge technology.

## PASSION & PERFORMANCE

As a global group we aim to deliver the most technically advanced spraying equipment on the market. When designing our products we think about highly professional and creative individual who have passion for painting and are looking for the greatest performance. With this in mind we always try to reach for the highest standards of sophistication, creativity and technical realization.

## A WIDE RANGE

Our range of products varies from several spray guns lines, pumps and painting accessories, projected ad hoc for different paint application and to satisfy the customer in his research for the best solution.

## CUSTOMER ORIENTED

The automotive refinish, together with the industrial and the wood sector are only few of the areas in which the Anest Iwata experience has found its appreciation between the users, not only for the excellence of our tools, but also for the attentive service our customers can count on. Anest Iwata effort in providing the best results in performance is also conceived for the optimization of the resources and materials in the optic of begin environmental-friendly.







JAPANESE  
HERITAGE  
&  
PIONEER  
MINDS



Whether it's a first installation, a self-repair or a small retouch (spot repair) Anest Iwata has always been the point of reference for professional painters. The experience in the development of varnishing guns for the automotive sector has strengthened its image over time.



# AUTOMOTIVE REFINISH

## GETTING INTO SOLUTIONS

The automotive  
refinish is one of our  
most demanding fields  
in terms of surface  
quality considering  
colour reproduction,  
smoothness and layer  
thickness, our tools are  
designed to help you  
get the most faithful  
reproduction of the  
original colour.

## FIND THE BEST TOOLS

Anest Iwata in  
collaboration with painting  
companies aims to provide  
the best tools to achieve a  
great performance in terms  
of functionality and also  
painting experience.

# INDEX



## 1. MANUAL SPRAY G

### CLEARCOAT

#### PREMIUM QUALITY

WS-400 SERIES 2 CLEAR - DIGITAL.....8

WS-400 SERIES 2 CLEAR - STANDARD...10

#### HIGH QUALITY

W-400 WBX CLASSIC PLUS.....12

### BASECOAT

#### PREMIUM QUALITY

WS-400 SERIES 2 BASE - DIGITAL.....14

WS-400 SERIES 2 BASE - STANDARD....16

LS-400 SERIES 2 BASE - DIGITAL.....18

LS-400 SERIES 2 BASE - STANDARD.....20

WS/LS SERIES 2 SUPERIOR SET  
COMBINATION CHART.....22

#### HIGH QUALITY

W-400 WB1 & WB2 CLASSIC PLUS.....24

### PRIMER

#### PREMIUM QUALITY

WS-Primer.....26

LPH 300 (LVLP).....28

#### HIGH QUALITY

W-400 BELLARIA CLASSIC PLUS.....30

#### STANDARD QUALITY

AZ3 HTE-S IMPACT.....32

### SPRAY PUTTY

#### STANDARD QUALITY

AZ3 HTE2 HVLP.....34

AZ3 HTE P.A.S. CONCEPT.....36

### SMART REPAIR

#### PREMIUM QUALITY

W-300 WB.....38

#### STANDARD QUALITY

W-300.....40

#### PREMIUM QUALITY

W-300 WB UV CURED PAINTS.....42

#### STANDARD QUALITY

AZ4 HTE-S IMPACT JUNIOR.....44

### SPOT REPAIR

#### PREMIUM QUALITY

LPH-80 (LVLP).....46

### CUSTOM PAINTING

#### HIGH QUALITY

RG-3L ROUND PATTERN.....48

AIRBRUSHE SERIES.....50

## 2. PRESSURE SPRAY G

### COMMERCIAL VEHICLE APPLICATION

#### PREMIUM QUALITY

WS-200 SERIES.....52

#### HIGH QUALITY

W-200 INTEGRA SERIES.....56

### UNIVERSAL

#### HIGH QUALITY

W-400 CLASSIC PLUS.....64

#### STANDARD QUALITY

AZ3 HTE 2.....66

## 3. PAINT SUPPLY SYST

### DOUBLE DIAPHRAGM PAINT PUMPS

DPS-120C SERIES | DPS-90G SERIES.....70

### PAINT PRESSURE TANKS

PET-SERIES (10, 30, 50 LT.) (7.0 BAR).....74

PET-10 (10 LT) (4.0 BAR).....76

PC-18D (2LT) (3.5 BAR).....77

## 4. CUPS, FILTERS AND ADAPTERS

GRAVITY CUPS.....80

PAINT FILTERS & 3M ADAPTERS.....81

ALUMINIUM GRAVITY CUPS/  
UNDER GUN FILTERS.....82

BLACK "UV" CUPS /

SUCTION CUPS.....83

## 5. GENERAL ACCESSORI

ANEST IWATA OVERALL /  
VISIONSHIELD SERIES (GOGGLES &  
GLASSES).....86

AIRFED 2020 FULL FACE MASK/  
VIPERHALF FACE GUARD MASK.....87

## 6. CLEANING A MAINTENANCE

### SPRAY GUN CLEANING APPLICATORS

PCA 12.0/HCA12.0.....90

### CLEANING & MAINTENANCE TOOLS

MAINTENANCE COMPLETE TOOL KIT...91

MAINTENANCE ESSENTIAL TOOL KIT...91

### SPRAY GUN WASHERS

KUIK MINI GUN WASHER.....92

IWK-H2O GUN WASHER.....93

INOX LINE SOL (SLD).....94

INOXLINESOL(SLD+ILD).....94

INOX LINE IWK SLB & IWK SLC.....94

## SPRAY GUN SUPPORTS

MAGNETIC SUPPORTS & GRAVITY GUN  
HOLDERS.....96

## SPRAY CONTROL

MAGNETIC SPRAY TESTER.....97

## AIR FILTERING

AIR FILTER REGULATORS 1/2".....98

## AIR SUPPLY

### CONDUCTIVE AIR/FLUID

HOSES & COUPLINGS.....99

### PRESSURE SETTING

### AIR PRESSURE REGULATORS

HVC, HVC-2,  
IMPACT CONTROLLER2.....100

## 7. DRYING SYST

### INFRARED UNITS

(SERIES 1 KW-3 KW-4,5 KW-6 KW).....102

ADG-1B AQUADRY PAINT DRYER.....104

AI JET AIR NOOZLE DRYER.....104

### DEMO TOOLS

DEMO TROLLEY.....105

### OTHER ACCESSORIES

AZ PVA TN UNDERCOAT GUN.....105

## 8. SUPERSEDED PRODUC

W-200 SERIES.....107

## 9. GENERAL INFORMATI

SALES CONDITIONS.....108

## ICONS LEGEND

NOZZLE SIZE

AIR CAP SET

AIR PRESSURE

FLUID OUTPUT

AIR CONSUMPTION

PATTERN WIDTH



# APPLICATION CHART

	PREMIUM		HIGH		STANDARD	
	GRAVITY	PRESSURE	GRAVITY	PRESSURE	GRAVITY	GRAVITY
CLEARCOAT	 WS-400 SR2 CLEAR P. 8	 WS-200 SP P. 50	 W-400 WBX P. 12	 W-200 INTEGRA P. 54		
BASECOAT	 WS-400 SR2 BASE P. 14	 LS-400 SR2 BASE P. 18	 WS-200 SP P. 50	 W-400 WB2 P. 24	 W-200 INTEGRA P. 54	
PRIMER	 WS-Primer P. 27	 WS-200 SP P. 50	 W-200 INTEGRA P. 54	 AZ3 HTE-S IMPACT P. 30		
SPRAY PUTTY				 AZ3 HTE2 HVLP P. 32	 AZ3 HTE P.A.S. CONCEPT P. 34	
SPOT REPAIR	 LPH-80 P. 44			 AZ4 HTE-S JUNIOR P. 42		
SMART REPAIR	 W-300 WB P. 36	 W-300 WB UV P. 40				
CUSTOM PAINTING			 RG-3L P. 46			

# 1

## MANUAL SPRAY GUNS





# CLEARCOAT

## WS-400 SERIES 2 CLEAR-DIGITAL

PREMIUM QUALITY

WS400 SR2

### FEATURES



- The Anest Iwata WS-400 Series 2 CLEAR Superior range is perfectly placed for the application of clearcoats.
- Optimize setups available which cover a wide range application requirements, and variety of options available for different styles and speeds.
- Integrated quick detachable compact DPG-1 digital manometer system.
- Special black chrome body

### TECHNICAL DATA

• HD (High Delivery) • Air Nipple: G1/4" • Fluid Nipple: G1/4"

Setup	Type	Application speed	Model name - Digital	Air cap	bar*	NL/min	mm**
HD	1.2 HD	CONTROL	WS-400-SR2D-12HD	WS-400-03	2.0	370	245
	1.3 HD	STANDARD	WS-400-SR2D-13HD				250
	1.4 HD	SPEED	WS-400-SR2D-14HD				255
	1.5 HD	HIGH SPEED	WS-400-SR2D-15HD				260

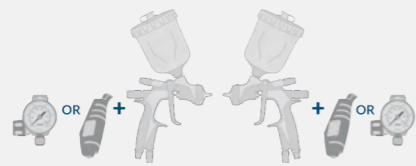
\*Suggested gun inlet pressure during spraying. \*\*Fan width at a Spray distance of 150 mm.

## ORDER INFORMATION

WS-400 CLEAR DIGITAL	HD			
	1.2 HD	1.3 HD	1.4 HD	1.5 HD
PRO SET	130193A0	130194A0	130195A0	130196A0
SUPERIOR SET	Please refer to the table on page 24 to see the full range of available combinations.			
AIR CAP SET	93009030			
FLUID NOZZLE + FLUID NEEDLE SET	93009140	93009060	93009160	93009180

### SET OPTIONS & CONTENTS

#### ★★★ SUPERIOR SET



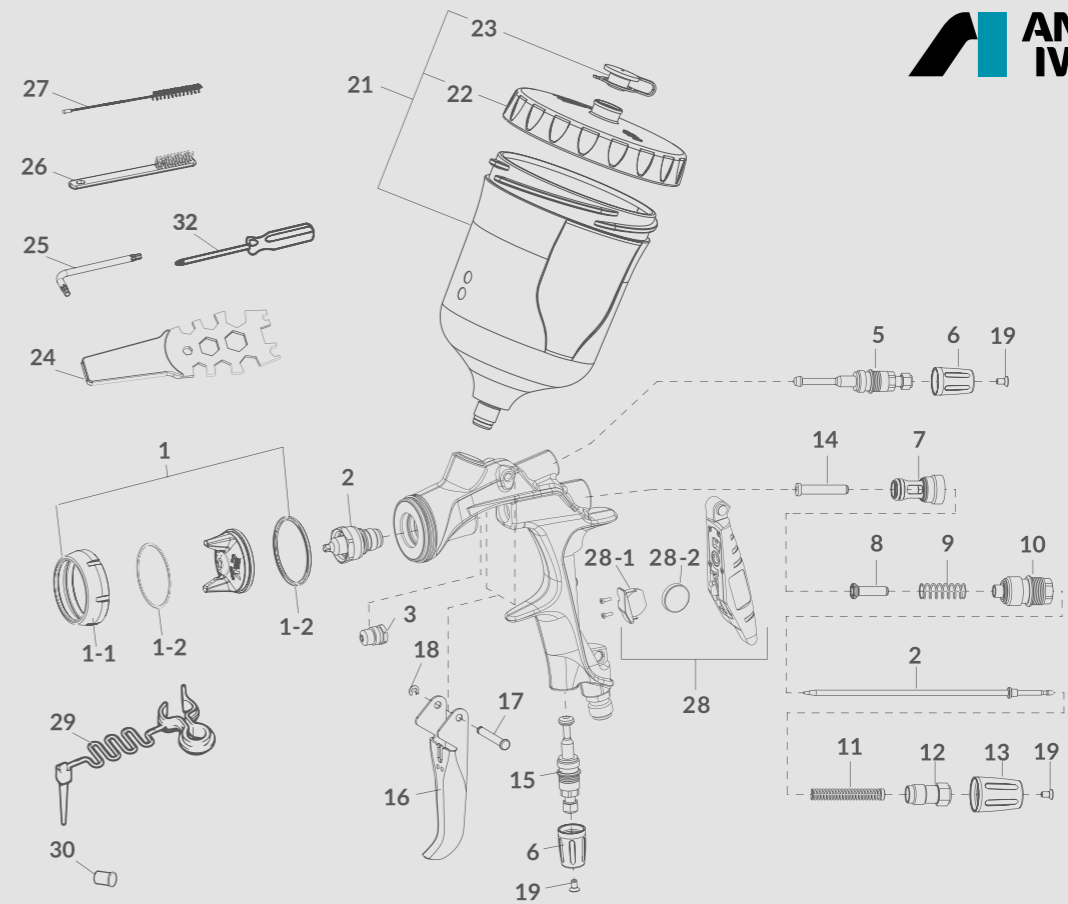
Two Series 2 Spray Guns / Two 600 ml Gravity Cups  
Cleaning brushes - Universal spanner  
On Digital Version: Digital manometer DPG-1  
Trigger clip / Pin cap.  
On Non-Digital Version: Air Pressure Regulator HVC

\*Please refer to the table on page 24 to see the full range of available combinations.

#### ★★ PRO SET



WS-400 Serie 2 Clear Digital Spray Gun  
600 ml Gravity Cup  
Digital manometer DPG-1  
Trigger clip / Pin cap  
Cleaning brushes - Universal spanner



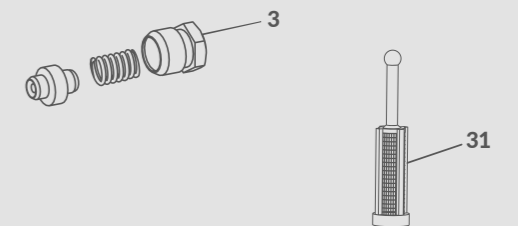
## SPARE PARTS

REF.	CODE	DESCRIPTION
1	see table on left page	AIR CAP SET
1-1	93009050	AIR CAP RING CLEAR (Grey)
1-2	93018310	AIR CAP PACKING SET (2 pcs.)
2	see table on left page	FLUID NOZZLE + FLUID NEEDLE SET
3	03810620	NEEDLE PACKING SET
5	93008420	PATTERN ADJ. SET
6	93009120	PATTERN ADJUSTMENT KNOB CLEAR (Grey)
7	93001640	AIR VALVE SEAT SET
8	93001690	AIR VALVE
9	93001700	AIR VALVE SPRING
10	93008840	FLUID ADJ. GUIDE SET
11	93002820	FLUID NEEDLE SPRING SET
12	93505823	FLUID ADJ. SCREW
13	93009130	FLUID ADJUSTMENT KNOB CLEAR (Grey)
14	93001790	AIR VALVE SHAFT
15	93008872	AIR ADJUSTMENT SET

REF.	CODE	DESCRIPTION
16	93008890	TRIGGER
17	93505860	TRIGGER STUD
18	96612025	E STOPPER
19	93512741	TORX SOCKET COUNTERSUNK HEAD SCREWS (3 pcs./1 pk.)
21	140081A0	PC-G600P-2 GRAVITY CUP
22	940222A0	LID
23	940221A0	NON DRIP
24	930171A0	UNIVERSAL SPANNER
25	03506480K	TORX ALLEN KEY WRENCH T10 (3 pcs.)
26	W2COM6163	BRUSHES (5 pcs.)
27	W2COM6162	TWISTED BRUSH Ø 10 mm (5 pcs.)
28	930113A0	DIGITAL PRESSURE GAUGE DPG-1 (Includes BATTERY HOLDER and BATTERY Spares)
28-1	930325A0	DPG-1 BATTERY HOLDER
28-2	930083A0	DPG-1 BATTERY
29	930357A0	TRIGGER CLIP
30	930366A0	PROTECTIVE PIN CAP (5 pcs.)
32	960024A0	SCREWDRIVER (for DPG-1 Battery)

## ACCESSORIES

REF.	CODE	DESCRIPTION
	930443A0	REPAIRING KIT Includes: air valve seat set (7), air valve (8), air valve spring (9), fluid needle spring set (11), air valve shaft (14), fluid adj. guide set (10), trigger stud (17), e stopper (18), needle packing set (3).
-	W2KIT55UK	CLEANING KIT
3	93001410	SELF ADJUSTING NEEDLE PACKING (Opt.)
31	94011240	FILTER 60 Mesh (250µ)



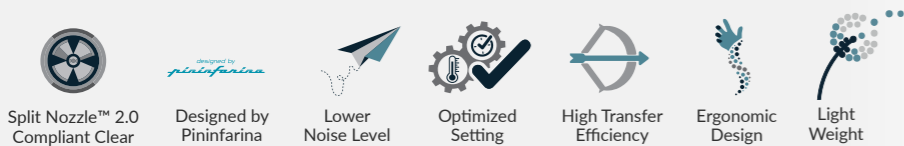


# CLEARCOAT

## WS-400 SERIES 2 CLEAR

### PREMIUM QUALITY WS400 SR2

#### FEATURES



- The Anest Iwata WS-400 Series 2 CLEAR Superior range is perfectly placed for the application of clearcoats.
- Optimize setups available which cover a wide range application requirements, a variety of options available for different styles and speeds.
- HVC inline manometer is recommended and available for accurate performance and colour reproduction.

#### TECHNICAL DATA

• HD (High Delivery) • Air Nipple: G1/4" • Fluid Nipple: G1/4"

Setup	Type	Application speed	Model name - Digital	Air cap	bar*	NL/min	mm**
HD	1.2 HD	CONTROL	WS-400-SR2-12HD	WS-400-03	2.0	370	245
	1.3 HD	STANDARD	WS-400-SR2-13HD				250
	1.4 HD	SPEED	WS-400-SR2-14HD				255
	1.5 HD	HIGH SPEED	WS-400-SR2-15HD				260

\*Suggested gun inlet pressure during spraying. \*\*Fan width at a Spray distance of 150 mm.

## ORDER INFORMATION

WS-400 CLEAR	1.2 HD	1.3 HD	1.4 HD	1.5 HD
PRO SET	130615A0	130616A0	130617A0	130618A0
ECO SET	130261A0	130262A0	130263A0	130264A0
SUPERIOR SET	Please refer to the table on page 24 to see the full range of available combinations.			
AIR CAP SET	93009030			
FLUID NOZZLE + FLUID NEEDLE SET	93009140	93009060	93009160	93009180

#### SET OPTIONS & CONTENTS

##### ★★★ SUPERIOR SET



Two Series 2 Spray Guns / Two 600 ml Gravity Cups  
Cleaning brushes - Universal spanner  
On Digital Version: Digital manometer DPG-1  
Trigger clip / Pin cap.  
On Non-Digital Version: Air Pressure Regulator HVC

\*Please refer to the table on page 24 to see the full range of available combinations.

##### ★★ PRO SET

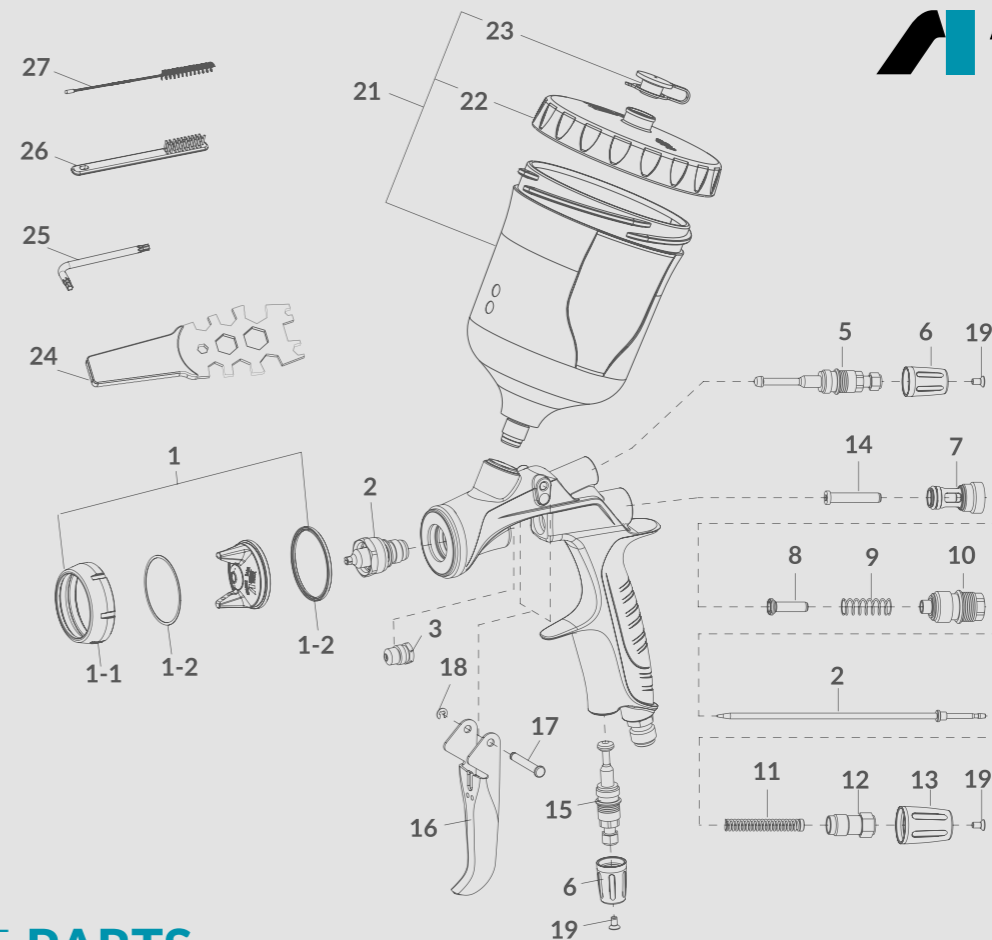


WS-400 Serie 2 Clear Spray Gun  
600 ml Gravity Cup  
Air Pressure Regulator HVC  
Cleaning brushes  
Universal spanner

##### ★ ECO SET



WS-400 Serie 2 Clear Spray Gun  
600 ml Gravity Cup  
Cleaning brushes  
Universal spanner



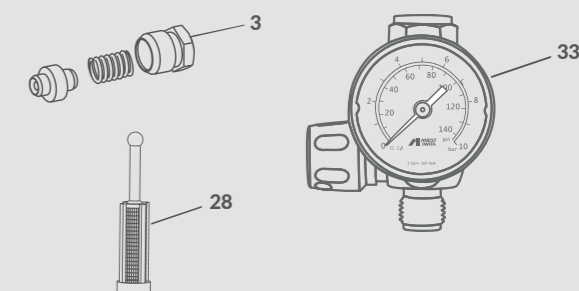
## SPARE PARTS

REF.	CODE	DESCRIPTION
1	see table on left page	AIR CAP SET
1-1	93009050	AIR CAP RING CLEAR (Grey)
1-2	93018310	AIR CAP PACKING SET (2 pcs.)
2	see table on left page	FLUID NOZZLE + FLUID NEEDLE SET
3	03810620	NEEDLE PACKING SET
5	93008420	PATTERN ADJ. SET
6	93009120	PATTERN ADJUSTMENT KNOB CLEAR (Grey)
7	93001640	AIR VALVE SEAT SET
8	93001690	AIR VALVE
9	93001700	AIR VALVE SPRING
10	93008840	FLUID ADJ. GUIDE SET
11	93002820	FLUID NEEDLE SPRING SET
12	93505823	FLUID ADJ. SCREW
13	93009130	FLUID ADJUSTMENT KNOB CLEAR (Grey)

REF.	CODE	DESCRIPTION
14	93001790	AIR VALVE SHAFT
15	93008872	AIR ADJUSTMENT SET
16	93008890	TRIGGER
17	93505860	TRIGGER STUD
18	96612025	E STOPPER
19	93512741	TORX SOCKET COUNTERSUNK HEAD SCREWS (3 pcs./1 pk.)
21	140081A0	PC-G600P-2 GRAVITY CUP
22	940222A0	LID
23	940221A0	NON DRIP
24	930171A0	UNIVERSAL SPANNER
25	03506480K	TORX ALLEN KEY WRENCH T10 (3 pcs.)
26	W2COM6163	BRUSHES (5 pcs.)
27	W2COM6162	TWISTED BRUSH Ø 10 mm (5 pcs.)

## ACCESSORIES

REF.	CODE	DESCRIPTION
	930443A0	REPAIRING KIT Includes: air valve seat set (7), air valve (8), air valve spring (9), fluid needle spring set (11), air valve shaft (14), fluid adj. guide set (10), trigger stud (17), e stopper (18), needle packing set (3).
-	W2KIT55UK	CLEANING KIT
3	93001410	SELF ADJUSTING NEEDLE PACKING (Opt.)
28	94011240	FILTER 60 Mesh (250µ)
33	150003A0	HVC AIR PRESSURE REGULATOR





# CLEARCOAT

## W-400WBX Classic Plus

### HIGH QUALITY

#### FEATURES

- Perfect surfaces thanks to the Split Nozzle™ technology
- VOC-compliant professional spray gun (more than 65% transfer efficiency)
- Very fine atomization
- Clearly visible reduction of "fat edges"
- Low background noise
- 380 g: one of most lightweight spray guns on the market
- Conical seal nozzle, minimum wear parts
- Quality surface for easy cleaning
- Clearer design, easy maintenance

**SPLIT NOZZLE™**  
PRE-ATOMIZATION  
TECHNOLOGY




**Classic plus**  
WBX



TECHNICAL DATA	Ø mm	No.	bar	m <sup>3</sup> /min	N <sup>3</sup> /min	mm
W-400 WBX-124G	1.2	WBX	2.0	150	370	360
W-400 WBX-134G	1.3			195		390
W-400 WBX-144G	1.4			200		415
W-400 WBX-164G	1.6			250		

• Air nipple: G1/4" • Fluid nipple: M16 x 1.5mm



#### PRO KIT- CARTON BOX

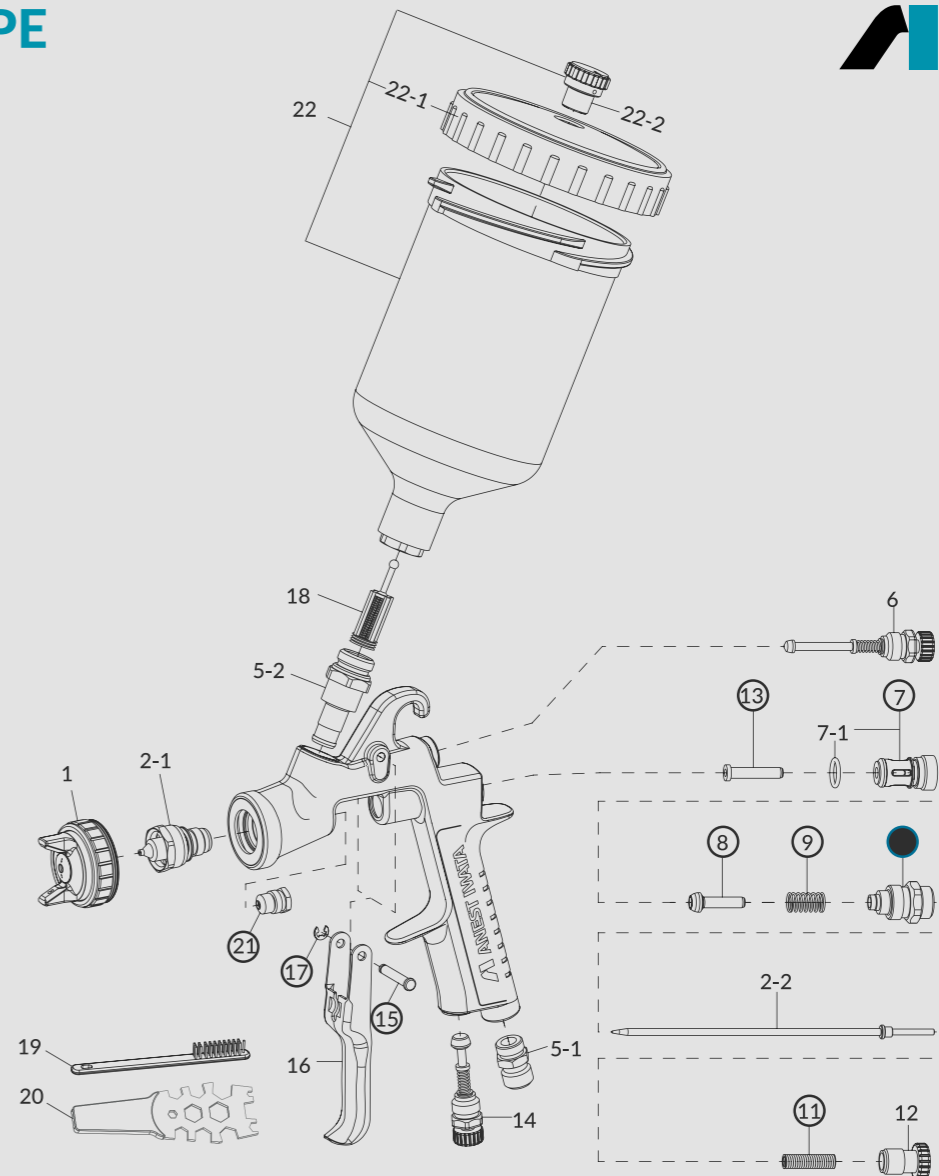
- W-400 WBX Spray Gun
- PCG 6 PE CUP - 600 ml
- Cleaning Brushes
- Universal Spanner

### ORDER INFORMATION

	Ø 1,2	Ø 1,3	Ø 1,4	Ø 1,6
W-400 WBX - PRO KIT (Carton Box)	13241422P	13241423P	13241424P	13241426P
AIR CAP SET (WBX)	93622630			
FLUID NOZZLE + FLUID NEEDLE SET	93627610	93634610	93628610	93622620

### PCG-6-PE

GRAVITY  
CUP  
600 ml



### SPARE PARTS

REF.	CODE	DESCRIPTION	QTY.
1		AIR CAP SET	
2-1+2-2		FLUID NOZZLE + FLUID NEEDLE SET	
5-1	03660300	AIR NIPPLE	
5-2	93650531	FLUID NIPPLE	
6	93842601	PATTERN ADJ. SET	
7	03843530	AIR VALVE SEAT SET	
7-1	06638008	'O' RING	
8	03591530	AIR VALVE	
9	03719530	AIR VALVE SPRING	
10	93844532	FLUID ADJ. GUIDE SET	
11	03593530	FLUID NEEDLE SPRING	
12	93594532	FLUID ADJ. KNOB	
13	93935430	AIR VALVE SHAFT	
14	93845531	AIR ADJ. SET	
15	03667360	TRIGGER STUD	
16	03517600	TRIGGER	
17	03912030	E STOPPER	(2 pcs./1 pk.)
18	03515500	FILTER 60 Mesh (250µ)	
21	03810620	NEEDLE PACKING SET	
19	W2COM6163	BRUSHES	(5 pcs./1 pk.)
20	930171A0	UNIVERSAL SPANNER	

REF.	CODE	DESCRIPTION
22	14011001	PCG-6-PE GRAVITY CUP 600 ml
22-1	04002300	LID
22-2	04003320	NON DRIP

### ACCESSORIES

CODE	DESCRIPTION
03708240	AIR CAP PACKING (WHITE)
03512600	AIR CAP "L" PACKING (BLACK)
W2KIT55UK	CLEANING KIT
W2COM6190	REPAIRING KIT 2 (includes: air valve seat set, air valve, air valve spring, fluid needle spring, fluid adj. guide set, air valve shaft, trigger stud, e stopper, needle packing cartridge).

W-400WBX Classic Plus



# WS-400 SERIES 2 BASE- DIGITAL

PREMIUM QUALITY

WS400  
SR2

FEATURES



- The Anest Iwata WS-400 Series 2 BASE superior range is ideal for wet on wet basecoat applications.
- Wide range of optimized nozzle configurations available for a variety of paint brands and different climates and conditions.
- Integrated quick detachable compact digital manometer DPG-1 system.
- Special black chrome body

TECHNICAL DATA

Setup	Type	Description/climate	Model name - Digital	Air cap	bar**	NI/min	mm***
OBS	1.3 OBS-0	HUMID	WS-400-SR2D-OBS-0	WS-400-02-OBS	2.0	370	255
	1.3 OBS	STANDARD*	WS-400-SR2D-OBS				255
	1.3 OBS+1	DRY	WS-400-SR2D-OBS+1				260
BF	BF-S	STANDARD*	WS-400-SR2D-BF-S	WS-400-03-BF			250

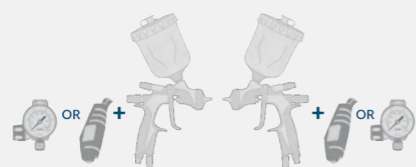
• OBS series: for type A wet on wet application • BF series: for type B wet on wet application  
 \*Standard climate range: 15-30°C with a humidity of 30% - 75% RH \*\*Suggested gun inlet pressure during spraying. \*\*\*Fan width at a Spray distance of 150 mm.

## ORDER INFORMATION

	OBS			BF
	1.3 OBS-0	1.3 OBS	1.3 OBS+1	BF-S
<b>WS-400 BASE DIGITAL</b>				
PRO SET	130189A0	130190A0	130191A0	130250A0
SUPERIOR SET	Please refer to the table on page 24 to see the full range of available combinations.			
AIR CAP SET		93008310		93018140
FLUID NOZZLE + FLUID NEEDLE SET	93008930	93008340	93008990	93018150

## SET OPTIONS & CONTENTS

### ★★★ SUPERIOR SET



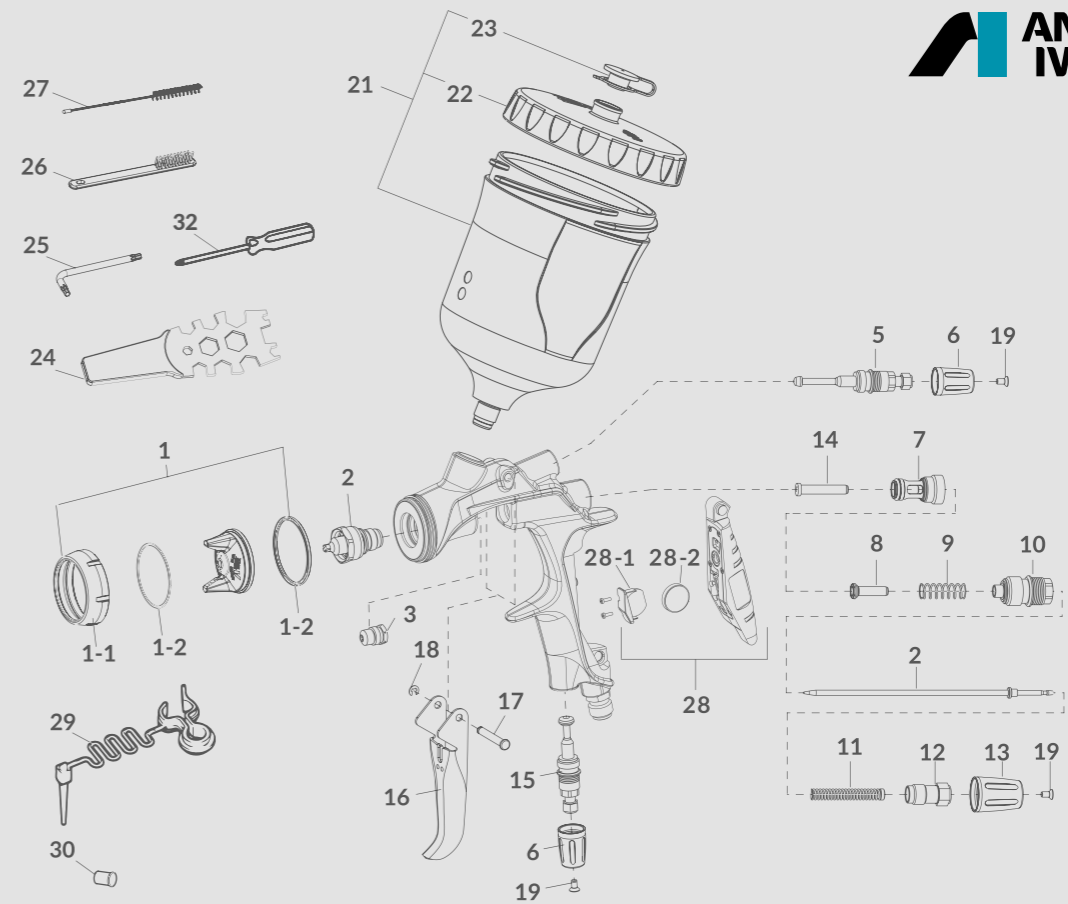
Two Series 2 Spray Guns / Two 600 ml Gravity Cups  
 Cleaning brushes - Universal spanner  
 On Digital Version: Digital manometer DPG-1  
 Trigger clip / Pin cap  
 On Non-Digital Version: Air Pressure Regulator HVC

\*Please refer to the table on page 24 to see the full range of available combinations.

### ★★ PRO SET



WS-400 Serie 2 Clear Digital Spray Gun  
 600 ml Gravity Cup  
 Digital manometer DPG-1  
 Trigger clip / Pin cap  
 Cleaning brushes - Universal spanner



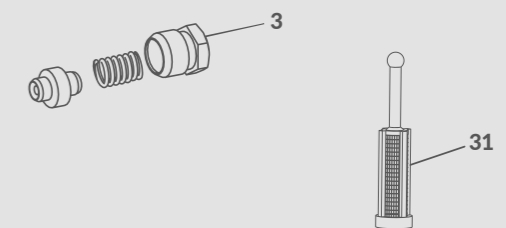
## SPARE PARTS

REF.	CODE	DESCRIPTION
1	see table on left page	AIR CAP SET
1-1	93008330	AIR CAP RING BASE (Blue)
1-2	93018310	AIR CAP PACKING SET (2 pcs.)
2	see table on left page	FLUID NOZZLE + FLUID NEEDLE SET
3	03810620	NEEDLE PACKING SET
5	93008420	PATTERN ADJ. SET
6	93008140	PATTERN ADJUSTMENT KNOB BASE (Blue)
7	93001640	AIR VALVE SEAT SET
8	93001690	AIR VALVE
9	93001700	AIR VALVE SPRING
10	93008840	FLUID ADJ. GUIDE SET
11	93002820	FLUID NEEDLE SPRING SET
12	93505823	FLUID ADJ. SCREW
13	93008150	FLUID ADJUSTMENT KNOB BASE (Blue)
14	93001790	AIR VALVE SHAFT
15	93008872	AIR ADJUSTMENT SET

REF.	CODE	DESCRIPTION
16	93008890	TRIGGER
17	93505860	TRIGGER STUD
18	96612025	E STOPPER
19	93512741	TORX SOCKET COUNTERSUNK HEAD SCREWS (3 pcs./1 pk.)
21	140081A0	PC-G600P-2 GRAVITY CUP
22	940222A0	LID
23	940221A0	NON DRIP
24	930171A0	UNIVERSAL SPANNER
25	03506480K	TORX ALLEN KEY WRENCH T10 (3 pcs.)
26	W2COM6163	BRUSHES (5 pcs.)
27	W2COM6162	TWISTED BRUSH Ø 10 mm (5 pcs.)
28	930113A0	DIGITAL PRESSURE GAUGE DPG-1 (Includes BATTERY HOLDER and BATTERY Spares)
28-1	930325A0	DPG-1 BATTERY HOLDER
28-2	930083A0	DPG-1 BATTERY
29	930357A0	TRIGGER CLIP
30	930366A0	PROTECTIVE PIN CAP (5 pcs.)
32	960024A0	SCREWDRIVER (for DPG-1 Battery)

## ACCESSORIES

REF.	CODE	DESCRIPTION
	930443A0	REPAIRING KIT Includes: air valve seat set (7), air valve (8), air valve spring (9), fluid needle spring set (11), air valve shaft (14), fluid adj. guide set (10), trigger stud (17), e stopper (18), needle packing set (3).
-	W2KIT55UK	CLEANING KIT
3	93001410	SELF ADJUSTING NEEDLE PACKING (Opt.)
31	94011240	FILTER 60 Mesh (250µ)





# WS-400 SERIES 2 BASE

## PREMIUM QUALITY WS400 SR2

### FEATURES



- The Anest Iwata WS-400 Series2 BASE superior range is ideal for wet on wet basecoat applications.
- Wide range of optimized nozzle configurations available for a variety of paint brands and different climates and conditions.
- HVC inline manometer is recommended and available for accurate performance and colour reproduction.



### TECHNICAL DATA

Setup	Type	Description/climate	Model name - Digital	Air cap	bar**	NI/min	mm***
OBS	1.3 OBS-0	HUMID	WS-400-SR2-OBS-0		2.0	370	255
	1.3 OBS	STANDARD*	WS-400-SR2-OBS	WS-400-02-OBS			255
	1.3 OBS+1	DRY	WS-400-SR2-OBS+1				260
BF	BF-S	STANDARD*	WS-400-SR2-BF-S	WS-400-03-BF			250

• OBS series: for type A wet on wet application • BF series: for type B wet on wet application  
 \*Standard climate range: 15-30°C with a humidity of 30% - 75% RH \*\*Suggested gun inlet pressure during spraying. \*\*\*Fan width at a Spray distance of 150 mm.

ORDER INFORMATION	OBS			BF
	1.3 OBS-0	1.3 OBS	1.3 OBS+1	BF-S
<b>WS-400 BASE</b>				
PRO SET	130611A0	130612A0	130613A0	130614A0
ECO SET	130256A0	130257A0	130258A0	130259A0
SUPERIOR SET	Please refer to the table on page 24 to see the full range of available combinations.			
AIR CAP SET	93008310			93018140
FLUID NOZZLE + FLUID NEEDLE SET	93008930	93008340	93008990	93018150

### SET OPTIONS & CONTENTS

#### ★★★ SUPERIOR SET



Two Series 2 Spray Guns / Two 600 ml Gravity Cups  
 Cleaning brushes - Universal spanner  
 On Digital Version: Digital manometer DPG-1  
 Trigger clip / Pin cap.  
 On Non-Digital Version: Air Pressure Regulator HVC

\*Please refer to the table on page 24 to see the full range of available combinations.

#### ★★ PRO SET

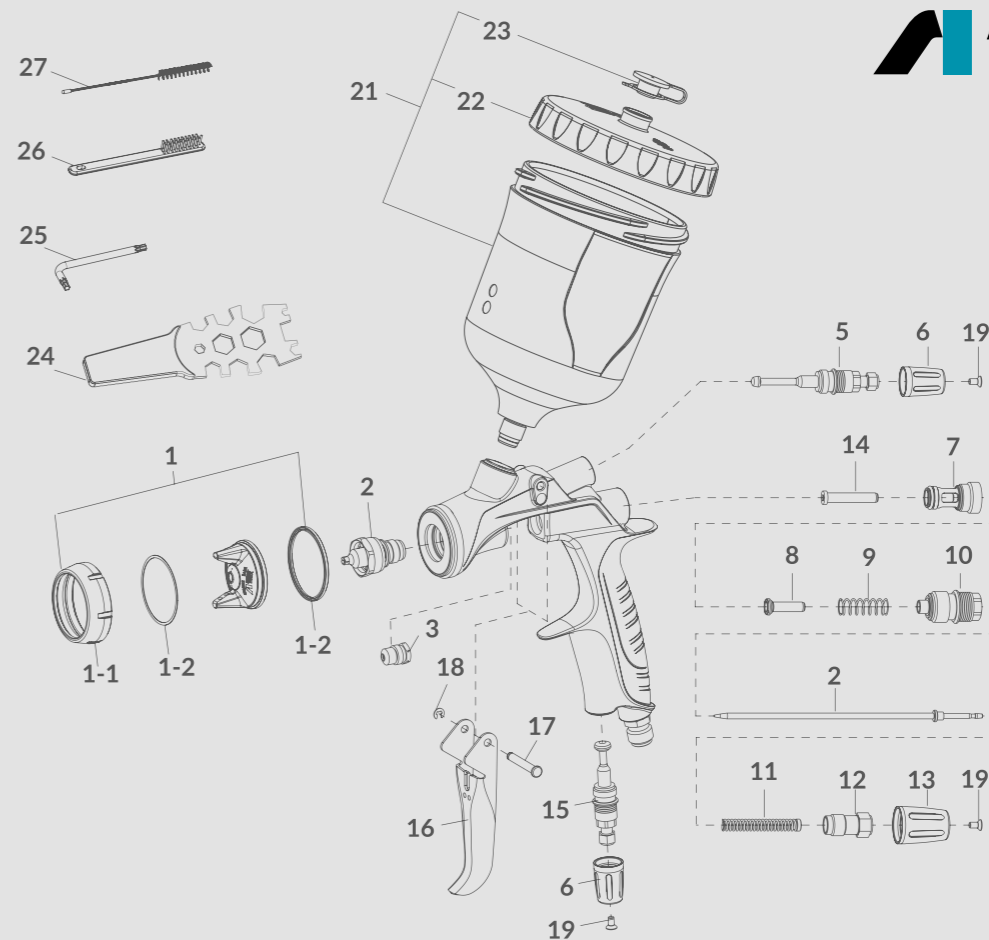


WS-400 Serie 2 Base Spray Gun  
 600 ml Gravity Cup  
 Air Pressure Regulator HVC  
 Cleaning brushes  
 Universal spanner

#### ★ ECO SET



WS-400 Serie 2 Base Spray Gun  
 600 ml Gravity Cup  
 Cleaning brushes  
 Universal spanner



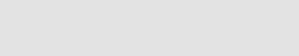
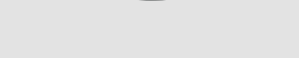
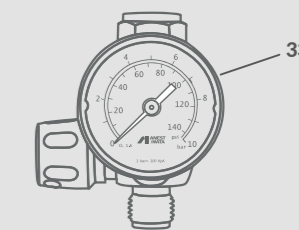
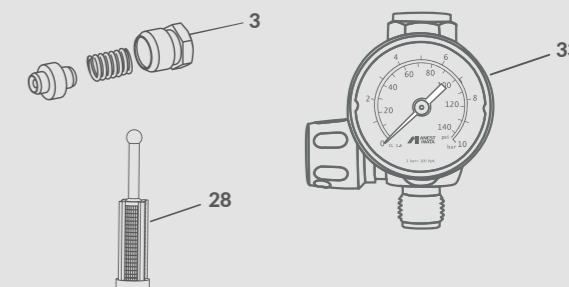
## SPARE PARTS

REF.	CODE	DESCRIPTION
1	see table on left page	AIR CAP SET
1-1	93008330	AIR CAP RING BASE (Blue)
1-2	93018310	AIR CAP PACKING SET (2 pcs.)
2	see table on left page	FLUID NOZZLE + FLUID NEEDLE SET
3	03810620	NEEDLE PACKING SET
5	93008420	PATTERN ADJ. SET
6	93008140	PATTERN ADJUSTMENT KNOB BASE (Blue)
7	93001640	AIR VALVE SEAT SET
8	93001690	AIR VALVE
9	93001700	AIR VALVE SPRING
10	93008840	FLUID ADJ. GUIDE SET
11	93002820	FLUID NEEDLE SPRING SET
12	93505823	FLUID ADJ. SCREW
13	93008150	FLUID ADJUSTMENT KNOB BASE (Blue)

REF.	CODE	DESCRIPTION
14	93001790	AIR VALVE SHAFT
15	93008872	AIR ADJUSTMENT SET
16	93008890	TRIGGER
17	93505860	TRIGGER STUD
18	96612025	E STOPPER
19	93512741	TORX SOCKET COUNTERSUNK HEAD SCREWS (3 pcs./1 pk.)
21	140081A0	PC-G600P-2 GRAVITY CUP
22	940222A0	LID
23	940221A0	NON DRIP
24	930171A0	UNIVERSAL SPANNER
25	03506480K	TORX ALLEN KEY WRENCH T10 (3 pcs.)
26	W2COM6163	BRUSHES (5 pcs.)
27	W2COM6162	TWISTED BRUSH Ø 10 mm (5 pcs.)

## ACCESSORIES

REF.	CODE	DESCRIPTION
	930443A0	REPAIRING KIT Includes: air valve seat set (7), air valve (8), air valve spring (9), fluid needle spring set (11), air valve shaft (14), fluid adj. guide set (10), trigger stud (17), e stopper (18), needle packing set (3).
-	W2KIT55UK	CLEANING KIT
3	93001410	SELF ADJUSTING NEEDLE PACKING (Opt.)
28	94011240	FILTER 60 Mesh (250µ)
33	150003A0	HVC AIR PRESSURE REGULATOR





## LS-400 SERIES 2 BASE-DIGITAL

PREMIUM QUALITY

LS400  
SR2

FEATURES



- The Anest Iwata LS-400 Series 2 Base superior range is ideal for a wide range of basecoat applications.
- Wide range of optimized nozzle configurations available for a variety of paint brands and different climates and conditions.
- Integrated quick detachable compact DPG-1 digital manometer system.
- Special black chrome body

TECHNICAL DATA

• Air Nipple: G1/4" • Fluid Nipple: G1/4"

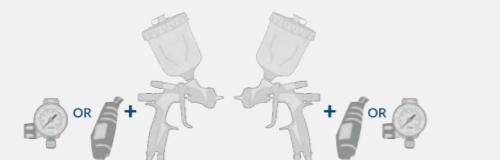
Setup	Type	Application speed	Model name - Digital	Air cap	bar**	NI/min	mm***
ET ENVIRONMENTAL STANDARD CONDITIONS	1.2 ET	CONTROL	LS-400-SR2D-1206	LS-400-06	1.8	400	230
	1.3 ET	STANDARD	LS-400-SR2D-1306				235
	1.4 ET	SPEED	LS-400-SR2D-1406				240
	1.5 ET	HIGH SPEED	LS-400-SR2D-1506				245
ETS ENVIRONMENTAL DRY CONDITIONS	1.2 ETS	CONTROL	LS-400-SR2D-12S06				200
	1.3 ETS	STANDARD	LS-400-SR2D-13S06				205
	1.4 ETS	SPEED	LS-400-SR2D-14S06				210
	1.5 ETS	HIGH SPEED	LS-400-SR2D-15S06				215

• ET series: for standard climate application • ETS series: for dry climate application  
\*Suggested gun inlet pressure during spraying. \*\*Fan width at a Spray distance of 150 mm.

ORDER INFORMATION	ET				ETS			
	1.2 ET	1.3 ET	1.4 ET	1.5 ET	1.2 ETS	1.3 ETS	1.4 ETS	1.5 ETS
LS-400 BASE DIGITAL								
PRO SET	130213A0	130214A0	130215A0	130216A0	130217A0	130218A0	130219A0	130220A0
SUPERIOR SET	Please refer to the table on page 24 to see the full range of available combinations.							
AIR CAP SET	93008030							
FLUID NOZZLE + FLUID NEEDLE SET	93008160	93008070	93008180	93008200	93008230	93008250	93008270	93008290

SET OPTIONS & CONTENTS

★★★ SUPERIOR SET



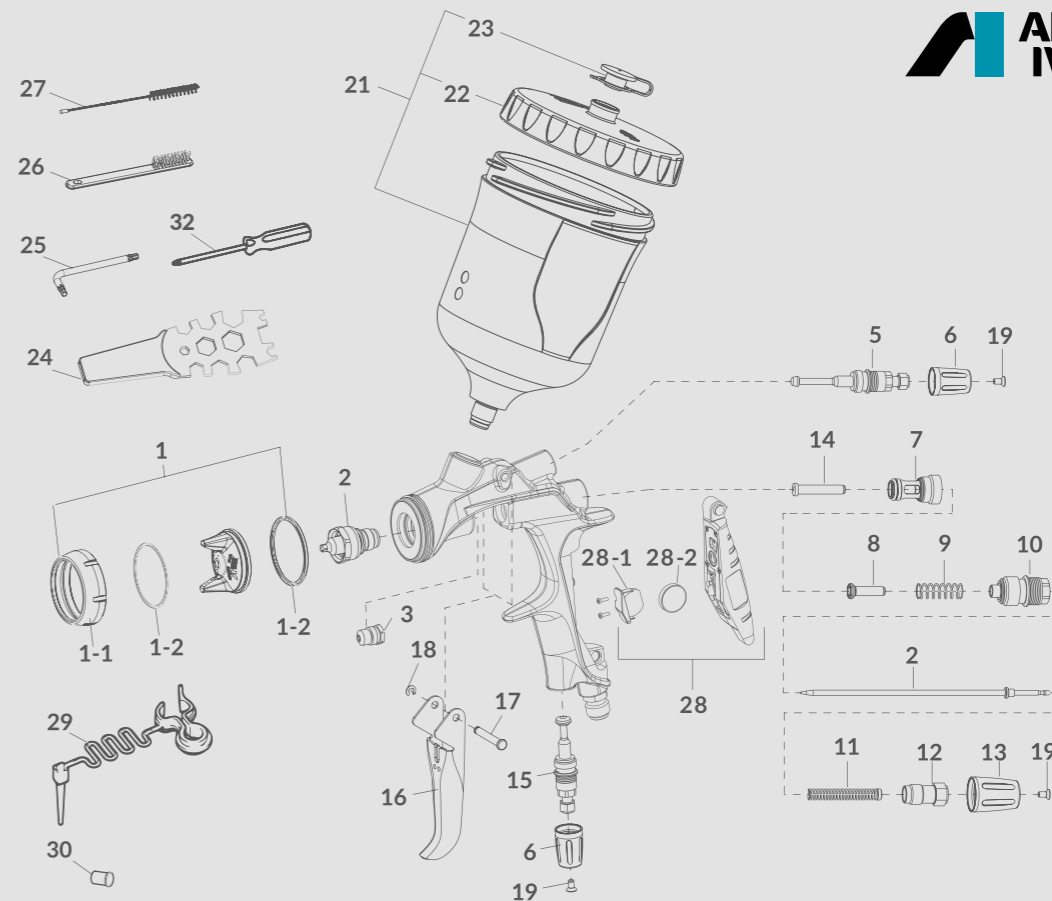
Two Series 2 Spray Guns / Two 600 ml Gravity Cups  
Cleaning brushes - Universal spanner  
On Digital Version: Digital manometer DPG-1  
Trigger clip / Pin cap  
On Non-Digital Version: Air Pressure Regulator HVC

\*Please refer to the table on page 24 to see the full range of available combinations.

★★ PRO SET



LS-400 Serie 2 Base Digital Spray Gun  
600 ml Gravity Cup  
Digital manometer DPG-1  
Trigger clip / Pin cap  
Cleaning brushes - Universal spanner



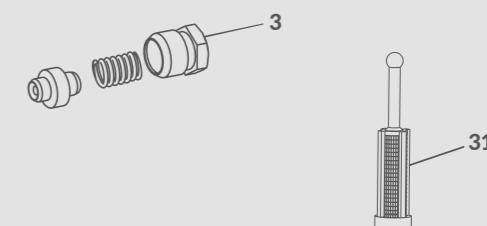
SPARE PARTS

REF.	CODE	DESCRIPTION
1	see table on left page	AIR CAP SET
1-1	93008060	AIR CAP RING LS (Green)
1-2	93018310	AIR CAP PACKING SET (2 pcs.)
2	see table on left page	FLUID NOZZLE + FLUID NEEDLE SET
3	03810620	NEEDLE PACKING SET
5	93008420	PATTERN ADJ. SET
6	93008820	PATTERN ADJUSTMENT KNOB LS (Green)
7	93001640	AIR VALVE SEAT SET
8	93001690	AIR VALVE
9	93001700	AIR VALVE SPRING
10	93008840	FLUID ADJ. GUIDE SET
11	93002820	FLUID NEEDLE SPRING SET
12	93505823	FLUID ADJ. SCREW
13	93008860	FLUID ADJUSTMENT KNOB LS (Green)
14	93001790	AIR VALVE SHAFT
15	93008872	AIR ADJUSTMENT SET

REF.	CODE	DESCRIPTION
16	93008890	TRIGGER
17	93505860	TRIGGER STUD
18	96612025	E STOPPER
19	93512741	TORX SOCKET COUNTERSUNK HEAD SCREWS (3 pcs./1 pk.)
21	140081A0	PC-G600P-2 GRAVITY CUP
22	940222A0	LID
23	940221A0	NON DRIP
24	930171A0	UNIVERSAL SPANNER
25	03506480K	TORX ALLEN KEY WRENCH T10 (3 pcs.)
26	W2COM6163	BRUSHES (5 pcs.)
27	W2COM6162	TWISTED BRUSH Ø 10 mm (5 pcs.)
28	930113A0	DIGITAL PRESSURE GAUGE DPG-1 (Includes BATTERY HOLDER and BATTERY Spares)
28-1	930325A0	DPG-1 BATTERY HOLDER
28-2	930083A0	DPG-1 BATTERY
29	930357A0	TRIGGER CLIP
30	930366A0	PROTECTIVE PIN CAP (5 pcs.)
32	960024A0	SCREWDRIVER (for DPG-1 Battery)

ACCESSORIES

REF.	CODE	DESCRIPTION
	930443A0	REPAIRING KIT Includes: air valve seat set (7), air valve (8), air valve spring (9), fluid needle spring set (11), air valve shaft (14), fluid adj. guide set (10), trigger stud (17), e stopper (18), needle packing set (3).
-	W2KIT55UK	CLEANING KIT
3	93001410	SELF ADJUSTING NEEDLE PACKING (Opt.)
31	94011240	FILTER 60 Mesh (250µ)

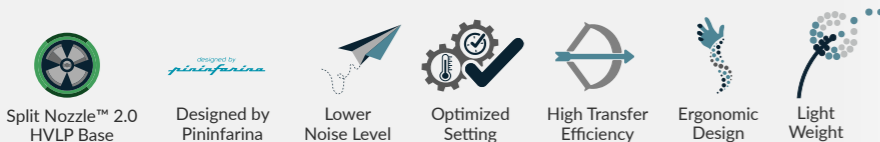




## LS-400 SERIES 2 BASE

**PREMIUM QUALITY** *LS400 SR2*

### FEATURES



- The Anest Iwata LS-400 Series 2 BASE superior range is ideal for a wide range of basecoat applications.
- Wide range of optimized nozzle configurations available for a variety of paint brands and different climates and conditions.
- HVC inline manometer is recommended and available for accurate performance and colour reproduction.

### TECHNICAL DATA

• Air Nipple: G1/4" • Fluid Nipple: G1/4"

Setup	Type	Application speed	Model name - Digital	Air cap	bar**	Nl/min	mm***
ET ENVIRONMENTAL STANDARD CONDITIONS	1.2 ET	CONTROL	LS-400-SR2-1206	LS-400-06	1.8	400	230
	1.3 ET	STANDARD	LS-400-SR2-1306				235
	1.4 ET	SPEED	LS-400-SR2-1406				240
	1.5 ET	HIGH SPEED	LS-400-SR2-1506				245
ETS ENVIRONMENTAL DRY CONDITIONS	1.2 ETS	CONTROL	LS-400-SR2-12S06				200
	1.3 ETS	STANDARD	LS-400-SR2-13S06				205
	1.4 ETS	SPEED	LS-400-SR2-14S06				210
	1.5 ETS	HIGH SPEED	LS-400-SR2-15S06				215
	1.5 ETS	HIGH SPEED	LS-400-SR2-15S06	215			

• ET series: for standard climate application • ETS series: for dry climate application  
\*Suggested gun inlet pressure during spraying. \*\*Fan width at a Spray distance of 150 mm.

ORDER INFORMATION	ET				ETS			
	1.2 ET	1.3 ET	1.4 ET	1.5 ET	1.2 ETS	1.3 ETS	1.4 ETS	1.5 ETS
<b>LS-400 BASE</b>								
PRO SET	130619A0	130620A0	130621A0	130622A0	130623A0	130624A0	130625A0	130626A0
ECO SET	130265A0	130266A0	130267A0	130268A0	130269A0	130270A0	130271A0	130272A0
SUPERIOR SET	Please refer to the table on page 24 to see the full range of available combinations.							
AIR CAP SET	93008030							
FLUID NOZZLE + FLUID NEEDLE SET	93008160	93008070	93008180	93008200	93008230	93008250	93008270	93008290

### SET OPTIONS & CONTENTS

#### ★★★ SUPERIOR SET



Two Series 2 Spray Guns / Two 600 ml Gravity Cups  
Cleaning brushes - Universal spanner  
On Digital Version: Digital manometer DPG-1  
Trigger clip / Pin cap  
On Non-Digital Version: Air Pressure Regulator HVC

\*Please refer to the table on page 24 to see the full range of available combinations.

#### ★★ PRO SET

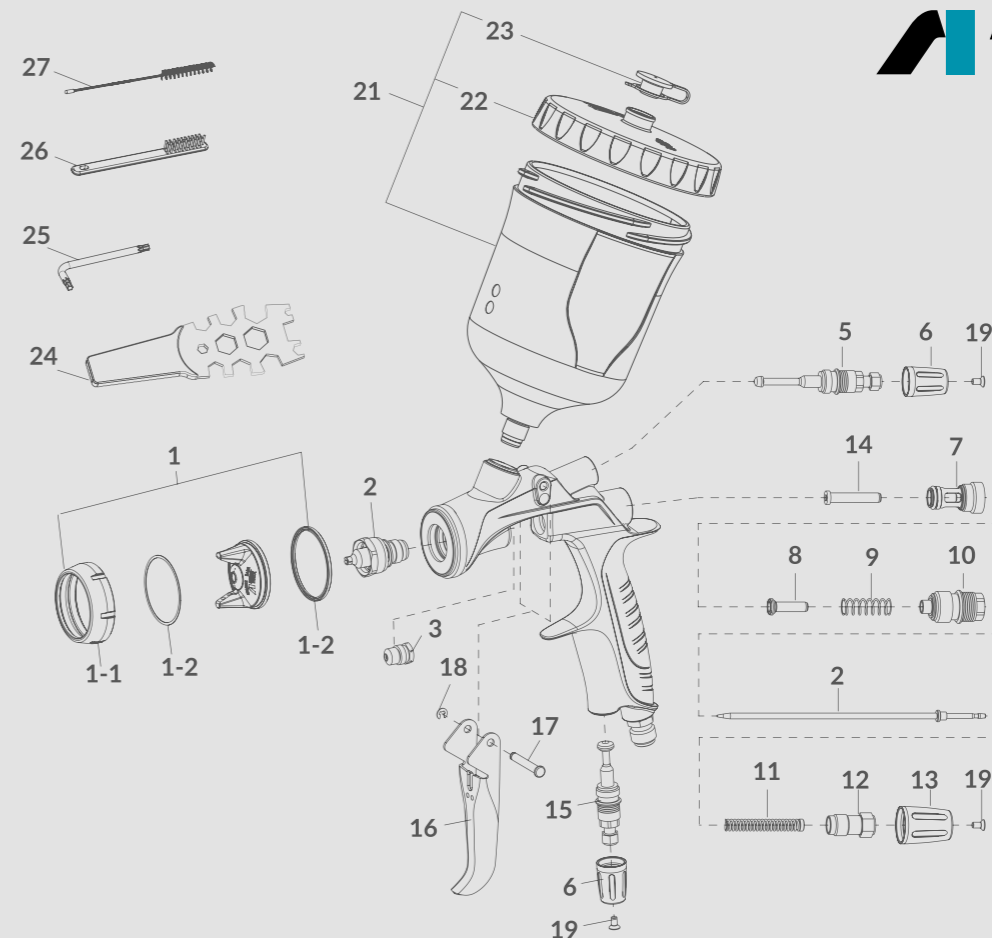


LS-400 Serie 2 Base Spray Gun  
600 ml Gravity Cup  
Air Pressure Regulator HVC  
Cleaning brushes - Universal spanner

#### ★ ECO SET



LS-400 Serie 2 Base Spray Gun  
600 ml Gravity Cup  
Air Pressure Regulator HVC  
Cleaning brushes - Universal spanner



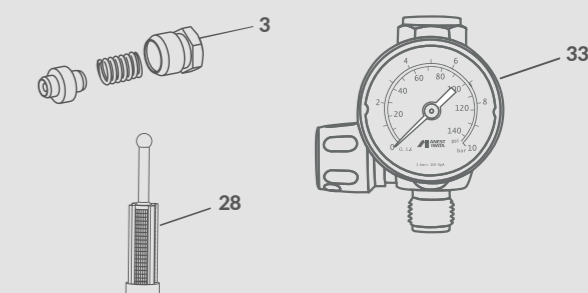
### SPARE PARTS

REF.	CODE	DESCRIPTION
1	see table on left page	AIR CAP SET
1-1	93008060	AIR CAP RING LS (Green)
1-2	93018310	AIR CAP PACKING SET (2 pcs.)
2	see table on left page	FLUID NOZZLE + FLUID NEEDLE SET
3	03810620	NEEDLE PACKING SET
5	93008420	PATTERN ADJ. SET
6	93008820	PATTERN ADJUSTMENT KNOB LS (Green)
7	93001640	AIR VALVE SEAT SET
8	93001690	AIR VALVE
9	93001700	AIR VALVE SPRING
10	93008840	FLUID ADJ. GUIDE SET
11	93002820	FLUID NEEDLE SPRING SET
12	93505823	FLUID ADJ. SCREW
13	93008860	FLUID ADJUSTMENT KNOB LS (Green)

REF.	CODE	DESCRIPTION
14	93001790	AIR VALVE SHAFT
15	93008872	AIR ADJUSTMENT SET
16	93008890	TRIGGER
17	93505860	TRIGGER STUD
18	96612025	E STOPPER
19	93512741	TORX SOCKET COUNTERSUNK HEAD SCREWS (3 pcs./1 pk.)
21	140081A0	PC-G600P-2 GRAVITY CUP
22	940222A0	LID
23	940221A0	NON DRIP
24	930171A0	UNIVERSAL SPANNER
25	03506480K	TORX ALLEN KEY WRENCH T10 (3 pcs.)
26	W2COM6163	BRUSHES (5 pcs.)
27	W2COM6162	TWISTED BRUSH Ø 10 mm (5 pcs.)

### ACCESSORIES

REF.	CODE	DESCRIPTION
	930443A0	REPAIRING KIT Includes: air valve seat set (7), air valve (8), air valve spring (9), fluid needle spring set (11), air valve shaft (14), fluid adj. guide set (10), trigger stud (17), e stopper (18), needle packing set (3).
-	W2KIT55UK	CLEANING KIT
3	93001410	SELF ADJUSTING NEEDLE PACKING (Opt.)
28	94011240	FILTER 60 Mesh (250µ)
33	150003A0	HVC AIR PRESSURE REGULATOR





The Superior Set is any spray painter's ultimate toolset. It contains two fully-equipped sets of the Series 2 spray guns. Choose your desired combination from our wide range of digital spray guns, which include the DPG-1 module, or standard spray guns, which include the HVC-1 controller. These sets include everything you need and come in a high-quality case, so you can safely carry your tools with you wherever you go.



### PICK YOUR CLEARCOAT GUN

### PICK YOUR CLEARCOAT GUN



		WS-400 1.2 HD		WS-400 1.3 HD		WS-400 1.4 HD		WS-400 1.5 HD	
		STANDARD	DIGITAL	STANDARD	DIGITAL	STANDARD	DIGITAL	STANDARD	DIGITAL
WS-400 BASE 1.3 OBS	STANDARD	130283A0SS	130283A0SD	130284A0SS	130284A0SD	130285A0SS	130285A0SD	130286A0SS	130286A0SD
	DIGITAL	130283A0DS	130283A0DD	130284A0DS	130284A0DD	130285A0DS	130285A0DD	130286A0DS	130286A0DD
WS-400 BASE 1.3 OBS-0	STANDARD	130274A0SS	130274A0SD	130275A0SS	130275A0SD	130276A0SS	130276A0SD	130277A0SS	130277A0SD
	DIGITAL	130274A0DS	130274A0DD	130275A0DS	130275A0DD	130276A0DS	130276A0DD	130277A0DS	130277A0DD
WS-400 BASE 1.3 OBS+1	STANDARD	130291A0SS	130291A0SD	130292A0SS	130292A0SD	130293A0SS	130293A0SD	130294A0SS	130294A0SD
	DIGITAL	130291A0DS	130291A0DD	130292A0DS	130292A0DD	130293A0DS	130293A0DD	130294A0DS	130294A0DD
WS-400 BASE BF-S	STANDARD	130300A0SS	130300A0SD	130301A0SS	130301A0SD	130302A0SS	130302A0SD	130303A0SS	130303A0SD
	DIGITAL	130300A0DS	130300A0DD	130301A0DS	130301A0DD	130302A0DS	130302A0DD	130303A0DS	130303A0DD
LS-400 BASE 1.2 ET	STANDARD	130327A0SS	130327A0SD	130337A0SS	130337A0SD	130346A0SS	130346A0SD	130354A0SS	130354A0SD
	DIGITAL	130327A0DS	130327A0DD	130337A0DS	130337A0DD	130346A0DS	130346A0DD	130354A0DS	130354A0DD
LS-400 BASE 1.3 ET	STANDARD	130328A0SS	130328A0SD	130338A0SS	130338A0SD	130347A0SS	130347A0SD	130355A0SS	130355A0SD
	DIGITAL	130328A0DS	130328A0DD	130338A0DS	130338A0DD	130347A0DS	130347A0DD	130355A0DS	130355A0DD
LS-400 BASE 1.4 ET	STANDARD	130329A0SS	130329A0SD	130339A0SS	130339A0SD	130348A0SS	130348A0SD	130356A0SS	130356A0SD
	DIGITAL	130329A0DS	130329A0DD	130339A0DS	130339A0DD	130348A0DS	130348A0DD	130356A0DS	130356A0DD
LS-400 BASE 1.5 ET	STANDARD	130330A0SS	130330A0SD	130340A0SS	130340A0SD	130349A0SS	130349A0SD	130357A0SS	130357A0SD
	DIGITAL	130330A0DS	130330A0DD	130340A0DS	130340A0DD	130349A0DS	130349A0DD	130357A0DS	130357A0DD
LS-400 BASE 1.2 ETS	STANDARD	130331A0SS	130331A0SD	130341A0SS	130341A0SD	130350A0SS	130350A0SD	130358A0SS	130358A0SD
	DIGITAL	130331A0DS	130331A0DD	130341A0DS	130341A0DD	130350A0DS	130350A0DD	130358A0DS	130358A0DD
LS-400 BASE 1.3 ETS	STANDARD	130332A0SS	130332A0SD	130342A0SS	130342A0SD	130351A0SS	130351A0SD	130359A0SS	130359A0SD
	DIGITAL	130332A0DS	130332A0DD	130342A0DS	130342A0DD	130351A0DS	130351A0DD	130359A0DS	130359A0DD
LS-400 BASE 1.4 ETS	STANDARD	130333A0SS	130333A0SD	130343A0SS	130343A0SD	130352A0SS	130352A0SD	130360A0SS	130360A0SD
	DIGITAL	130333A0DS	130333A0DD	130343A0DS	130343A0DD	130352A0DS	130352A0DD	130360A0DS	130360A0DD
LS-400 BASE 1.5 ETS	STANDARD	130334A0SS	130334A0SD	130344A0SS	130344A0SD	130353A0SS	130353A0SD	130361A0SS	130361A0SD
	DIGITAL	130334A0DS	130334A0DD	130344A0DS	130344A0DD	130353A0DS	130353A0DD	130361A0DS	130361A0DD

PICK YOUR BASECOAT GUN





# BASECOAT

## W-400WB2 Classic Plus

### HIGH QUALITY

#### FEATURES

- Perfect surfaces thanks to the Split Nozzle™ technology
- VOC-compliant professional spray gun (more than 65% transfer efficiency)
- Very fine atomization
- Ideal for blending
- Low background noise
- 380 g: one of the most lightweight spray guns on the market
- Conical seal nozzle, minimum wear parts
- Quality surface for easy cleaning
- Clearer design, easy maintenance

#### SPLIT NOZZLE™ PRE-ATOMIZATION TECHNOLOGY



Classic  
plus



• Air nipple: G1/4" • Fluid nipple: M16 x 1.5mm

TECHNICAL DATA	Ø mm	No.	bar	m <sup>3</sup> /min	N <sup>2</sup> /min	mm
W-400 WB-101G	1.0	WB1	1.8	90	230	230
W-400 WB-121G	1.2			120		260
W-400 WB-131G	1.3			140		280
W-400 WB-141G	1.4			160		290
W-400 WB-122G	1.2	WB2	1.8	160	390	300
W-400 WB-132G	1.3					310
W-400 WB-142G	1.4					310
W-400 WB-162G	1.6					340



#### PRO KIT - CARTON BOX

WS-400 WB Spray Gun  
PCG 6 PE CUP - 600 ml  
Cleaning Brushes - Universal Spanner

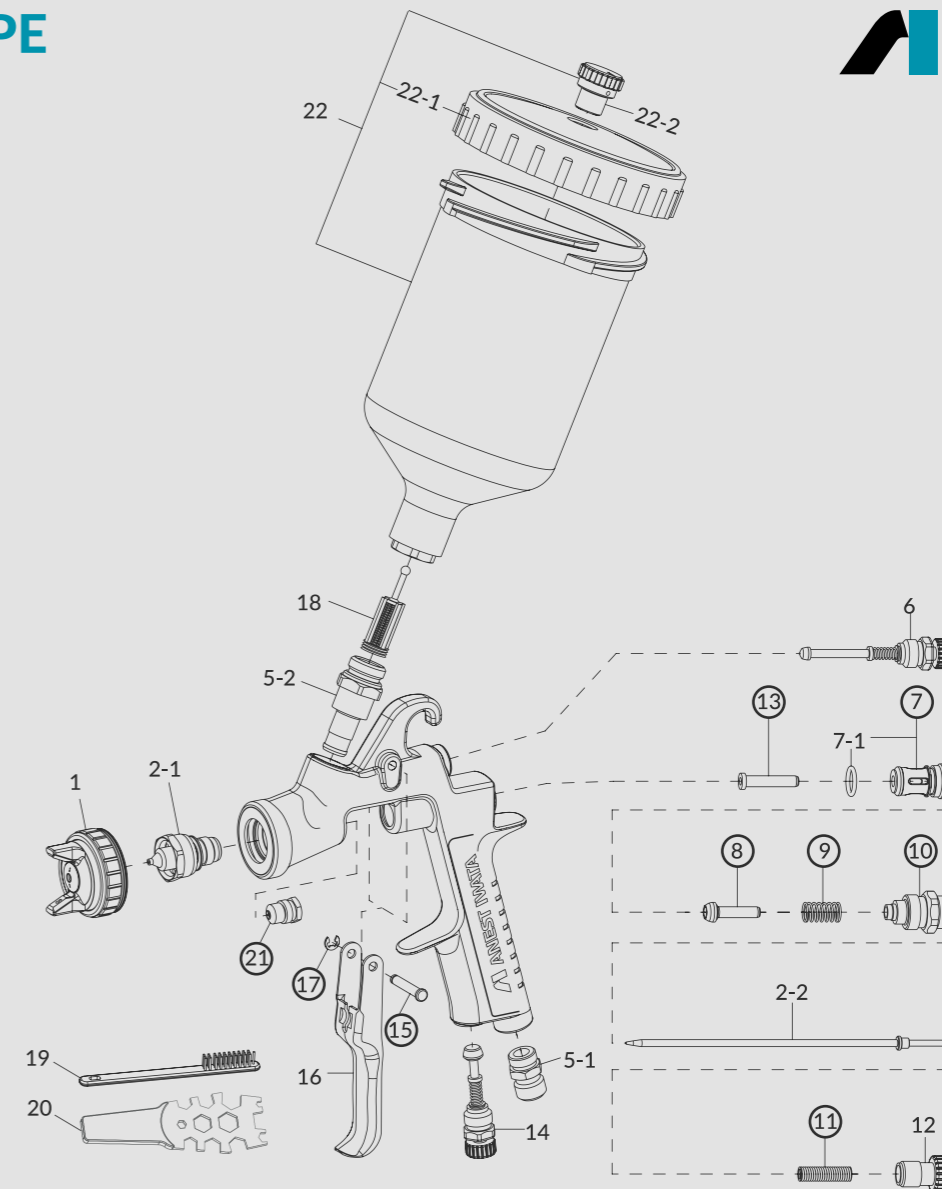
### ORDER INFORMATION

W-400 WB1	Ø 1,0	Ø 1,2	Ø 1,3	Ø 1,4
W-400 WB1 - PRO KIT	13241411P	13241412P	13241413P	13241414P
AIR CAP SET (WB1)	93896610			
FLUID NOZZLE + FLUID NEEDLE SET	93626610	93627610	93634610	93628610

W-400 WB2	Ø 1,2	Ø 1,3	Ø 1,4	Ø 1,6
W-400 WB2 - PRO KIT	13241415P	13241416P	13241417P	13241418P
AIR CAP SET (WB2)	93624620			
FLUID NOZZLE + FLUID NEEDLE SET	93627610	93634610	93628610	93622620

### PCG-6-PE

GRAVITY  
CUP  
600 ml



### SPARE PARTS

REF.	CODE	DESCRIPTION	QTY.
1		AIR CAP SET	
2-1+ 2-2		FLUID NOZZLE + FLUID NEEDLE SET	
5-1	03660300	AIR NIPPLE	
5-2	93650531	FLUID NIPPLE	
6	93842601	PATTERN ADJ. SET	
7	03843530	AIR VALVE SEAT SET	
7-1	06638008	'O' RING	
8	03591530	AIR VALVE	
9	03719530	AIR VALVE SPRING	
10	93844532	FLUID ADJ. GUIDE SET	
11	03593530	FLUID NEEDLE SPRING	
12	93594532	FLUID ADJ. KNOB	
13	93935430	AIR VALVE SHAFT	
14	93845531	AIR ADJ. SET	
15	03667360	TRIGGER STUD	
16	03517600	TRIGGER	
17	03912030	E STOPPER	(2 pcs./1 pk.)
18	03515500	FILTER 60 Mesh (250µ)	
19	W2COM6163	BRUSHES	5 pcs.
20	930171A0	UNIVERSAL SPANNER	
21	03810620	NEEDLE PACKING SET	

REF.	CODE	DESCRIPTION
22	14011001	PCG-6-PE GRAVITY CUP 600 ml
22-1	04002300	LID
22-2	04003320	NON DRIP

### ACCESSORIES

CODE	DESCRIPTION
03708240	AIR CAP PACKING (WHITE)
03512600	AIR CAP "L" PACKING (BLACK)
W2KIT55UK	CLEANING KIT
W2COM6190	REPAIRING KIT 2 (includes: air valve seat set, air valve, air valve spring, fluid needle spring, fluid adj. guide set, air valve shaft, trigger stud, e stopper, needle packing cartridge).

W400WB2 ClassicPlus



## LPH-300 (LVLP)

### PREMIUM QUALITY

#### FEATURES

- High material saving thanks to the LVLP and the Split Nozzle™ technology
- Low overspray
- Extremely low air supply pressure (1.0 bar - 1.5 bar)
- Very low air consumption (200 NI/min)
- Pleasant handling thanks to the lightweight spray gun body
- Suitable for wet on wet applications (with 1.4/1.6 mm)
- Low background noise
- Simple adjustment of the control knobs, for right and left handers
- Conical seal nozzle, minimum wear parts
- Quality surface for easy cleaning
- Clearer design, easy maintenance



**SPLIT NOZZLE™**  
PRE-ATOMIZATION  
TECHNOLOGY



TECHNICAL DATA	Ø mm	No.	bar	m³/min	Nl/min	mm
LPH-300 - 104LV	1.0	LV4	1.3	50	240	200
LPH-300 - 124LV	1.2			70		210
LPH-300 - 144LV	1.4			90		250
LPH-300 - 164LV	1.6			110		230
LPH-300 - 184LV	1.8			130		
LPH-300 - 204LV	2.0			150		

• Air Nipple: G1/4" • Fluid Nipple: G1/4"

Further development of HVLV technology



**LOW VOLUME  
LOW PRESSURE**



#### PRO KIT - CARTON BOX

LPH-300 Spray Gun  
PC-G600P-2 CUP - 600 ml  
Cleaning Brushes  
Universal Spanner

#### PRO KIT - CARTON BOX

LPH-300 Spray Gun  
PCG 2P-2 CUP - 200 ml  
Cleaning Brushes - Universal Spanner

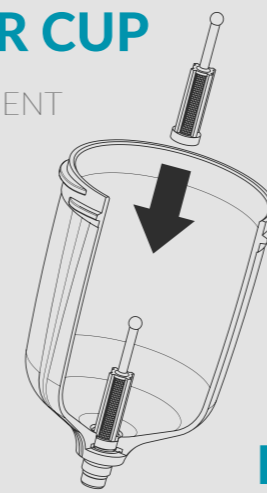
## ORDER INFORMATION

	Ø 1,0	Ø 1,2	Ø 1,4
LPH-300 - PRO KIT (600 ml CUP)	13189063P	13189003P	13189034P
LPH-300 - PRO KIT (200 ml CUP)	13189061P	13189001P	13189011P
AIR CAP SET (LV4)	93875602		
FLUID NOZZLE + FLUID NEEDLE SET	93518650	93867600	93862600

	Ø 1,6	Ø 1,8	Ø 2,0
LPH-300 - PRO KIT (600 ml CUP)	13189023P	13189033P	13189035P
LPH-300 - PRO KIT (200 ml CUP)	13189021P	-	-
AIR CAP SET (LV4)	93875602		
FLUID NOZZLE + FLUID NEEDLE SET	93869600	93871600	93621600

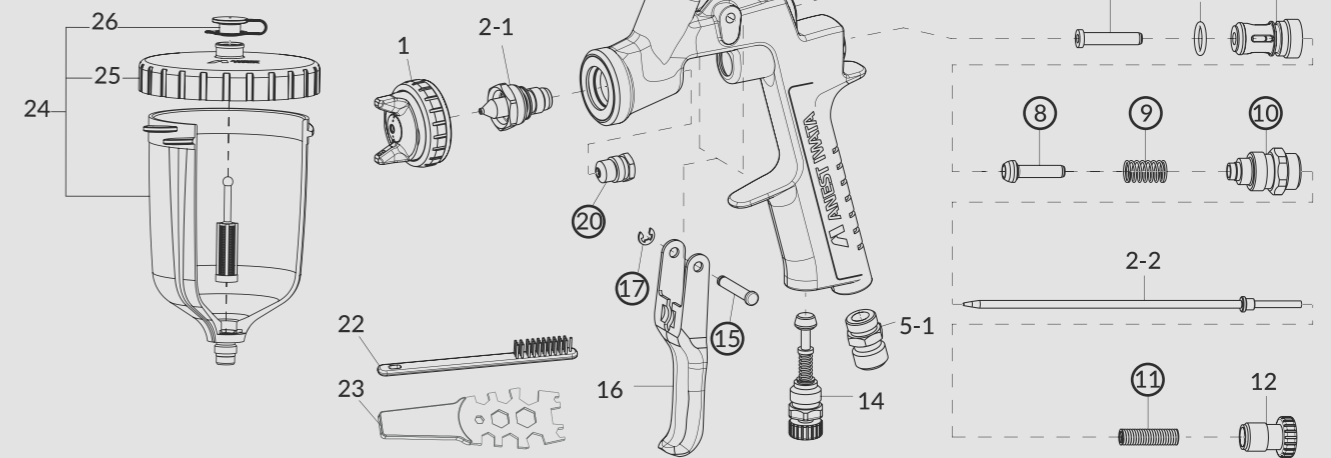
### FILTER CUP

PROPER  
ADJUSTMENT



**PCG 2P-2**  
200 ml CUP

**PC-G600P-2**  
600 ml CUP



## SPARE PARTS

REF.	CODE	DESCRIPTION	QTY.
1		AIR CAP SET	
2-1+ 2-2		FLUID NOZZLE + FLUID NEEDLE SET	
5-1	03660300	AIR NIPPLE	
5-2	03575620	FLUID NIPPLE	
6	03577620	PATTERN ADJ. SET	
7	03843530	AIR VALVE SEAT SET	
7-1	06638008	'O' RING	
8	03591530	AIR VALVE	
9	03719530	AIR VALVE SPRING	
10	93844532	FLUID ADJ. GUIDE SET	
11	03593530	FLUID NEEDLE SPRING	
12	93594532	FLUID ADJ. KNOB	
13	93935430	AIR VALVE SHAFT	
14	93845531	AIR ADJ. SET	
15	03667360	TRIGGER STUD	
16	03597530	TRIGGER	
17	03912030	E STOPPER	(2 pcs./1 pk.)
20	03810620	NEEDLE PACKING SET	

REF.	CODE	DESCRIPTION
22	W2COM6163	BRUSHES (5 pcs./1 pk.)
23	930171A0	UNIVERSAL SPANNER
21	W0CUPAZ40IN	PCG-2P-2 GRAVITY CUP 200 ml
21-1	W2KIT07	NON DRIP SET (5 pcs./1pk.)
21-2	W2KIT06	FILTER 50 Mesh (297µ) (5 pcs./1pk.)
24	14019100	PC-G600P-2 GRAVITY CUP 600 ml
25	94011220	LID (for 600 ml cup)
26	94011230	NON DRIP (for 600 ml cup)

## ACCESSORIES

CODE	DESCRIPTION
03608320	AIR CAP PACKING (WHITE)
03576530	AIR CAP "L" PACKING (BLACK)
W2KIT55UK	CLEANING KIT
W2COM6190	REPAIRING KIT 2 (includes: air valve seat set, air valve, air valve spring, fluid needle spring, air valve shaft, fluid adj. guide set, trigger stud, e stopper, needle packing cartridge).
94011240	FILTER 60 Mesh (250µ)





# PRIMER

## W-400 BELLARIA ClassicPlus

### HIGH QUALITY

#### FEATURES

- High quality filler spray gun
- Perfect surfaces obtained with the Flat & Thin™ technology
- Only 250/270 l/min of air consumption, gives to the sprayer an excellent painting control
- Stable, large and compact spray pattern
- VOC-compliant professional spray gun (more than 65% transfer efficiency)
- Low background noise
- Conical seal nozzle, minimum wear parts
- Quality surface for easy cleaning
- Clearer design, easy maintenance

STANDARD TECHNOLOGY 



**Classic plus**  
*Bellaria*



TECHNICAL DATA	Ø mm	No.	bar	m³/min	Nl/min	mm
W-400-104G	1.0	BA4-1	2.0	130	250	200
W-400-124G	1.2			180		220
W-400-134G	1.3			220		280
W-400-144G	1.4			250		300
W-400-164G	1.6	BA4-2	2.0	285	270	330
W-400-184G	1.8			360		375
W-400-204G	2.0			375		390

• Air nipple: G1/4" • Fluid nipple: M16 x 1.5mm



#### PRO KIT - CARTON BOX

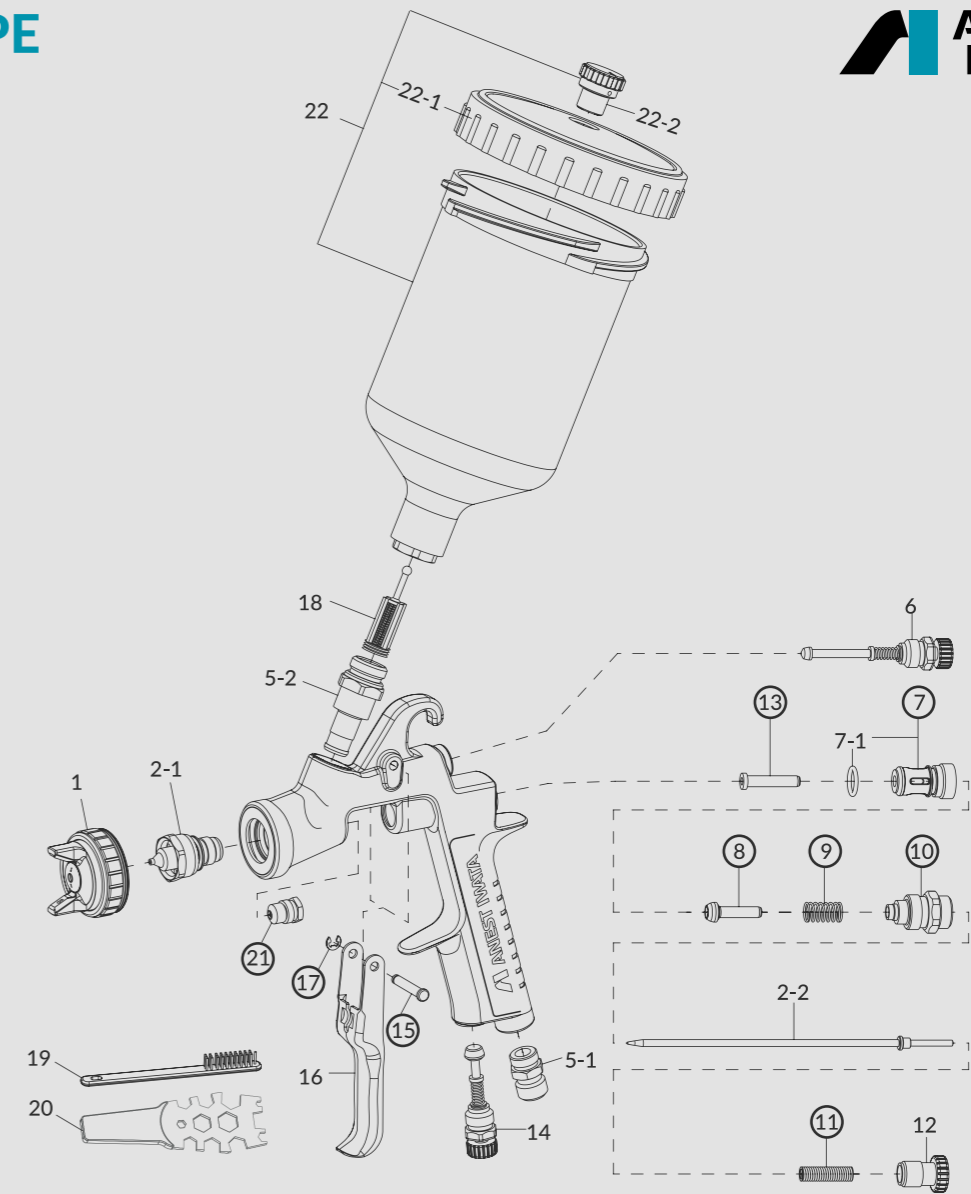
WS-400 Bellaria Spray Gun  
PCG 6 PE CUP - 600 ml  
Cleaning Brushes - Universal Spanner

### ORDER INFORMATION

	Ø 1,0	Ø 1,2	Ø 1,3	Ø 1,4
W-400 Bellaria - PRO KIT	13328511P	13328512P	13328513P	13328514P
AIR CAP SET (BA4-1)	93611700			
AIR CAP SET (BA4-2)	-		93611710	
FLUID NOZZLE + FLUID NEEDLE SET	93611720	93611730	93611740	93611750
	Ø 1,6	Ø 1,8	Ø 2,0	-
W-400 Bellaria - PRO KIT	13328516P	13328518P	13328519P	-
AIR CAP SET (BA4-2)	93611710			
FLUID NOZZLE + FLUID NEEDLE SET	93611760	93611770	93611780	-

### PCG-6 PE

GRAVITY  
CUP  
600 ml



### SPARE PARTS

REF.	CODE	DESCRIPTION	QTY.
1		AIR CAP SET	
2-1 + 2-2		FLUID NOZZLE + FLUID NEEDLE SET	
5-1	03660300	AIR NIPPLE	
5-2	93650531	FLUID NIPPLE	
6	93611930	PATTERN ADJ. SET	
7	03843530	AIR VALVE SEAT SET	
7-1	06638008	'O' RING	
8	03591530	AIR VALVE	
9	03719530	AIR VALVE SPRING	
10	93844532	FLUID ADJ. GUIDE SET	
11	03593530	FLUID NEEDLE SPRING	
12	93611900	FLUID ADJ. KNOB	
13	93935430	AIR VALVE SHAFT	
14	93611940	AIR ADJ. SET	
15	03667360	TRIGGER STUD	
16	03517600	TRIGGER	
17	03912030	E STOPPER	(2 pcs./1 pk.)
18	03515500	FILTER 60 Mesh (250µ)	
21	03810620	NEEDLE PACKING SET	
19	W2COM6163	BRUSHES	(5 pcs./1 pk.)
20	930171A0	UNIVERSAL SPANNER	

REF.	CODE	DESCRIPTION
22	14011001	PCG-6-PE GRAVITY CUP 600 ml
22-1	04002300	LID
22-2	04003320	NON DRIP

### ACCESSORIES

CODE	DESCRIPTION
03708240	AIR CAP PACKING (WHITE)
03512600	AIR CAP "L" PACKING (BLACK)
W2KIT55UK	CLEANING KIT
W2COM6190	REPAIRING KIT 2 (includes: air valve seat set, air valve, air valve spring, fluid needle spring, fluid adj. guide set, air valve shaft, trigger stud, e stopper, needle packing cartridge).

W-400 BELLARIA ClassicPlus



# AZ3 HTE-S Impact

## STANDARD QUALITY

### FEATURES

- High quality filler spray gun
- Flat & Thin™ spray pattern with fine atomization
- All fluid passages are in stainless steel
- Trigger easy to dose
- Simple operation of the control knobs, for right and left handers
- Costs for spare parts replacement extremely customer friendly

## HOMOGENEOUS and FINE ATOMIZATION

### HTE-S IMPACT - High Performance Spray Technology

**Impact**  
AZ3 HTE-S  
BLACK VERSION



**HTE**  
HIGH TRANSFER  
EFFICIENCY



TECHNICAL DATA	Ø mm	No.	bar	mL/min	NL/min	mm
AZ3 HTE-S IMPACT	1.2	HTE-S1	2.0	240		190
	1.3			265		210
	1.4			279		230
	1.6	289		250		
	1.8	322		312		
	2.0	HTE-S2	361	270		

• Air nipple: G1/4" • Fluid nipple: G1/4"



**CHROMED  
VERSION**



### CARTON BOX

AZ3 HTE-S Impact Spray Gun  
PCG-6P-2 AZ CUP - 600 ml

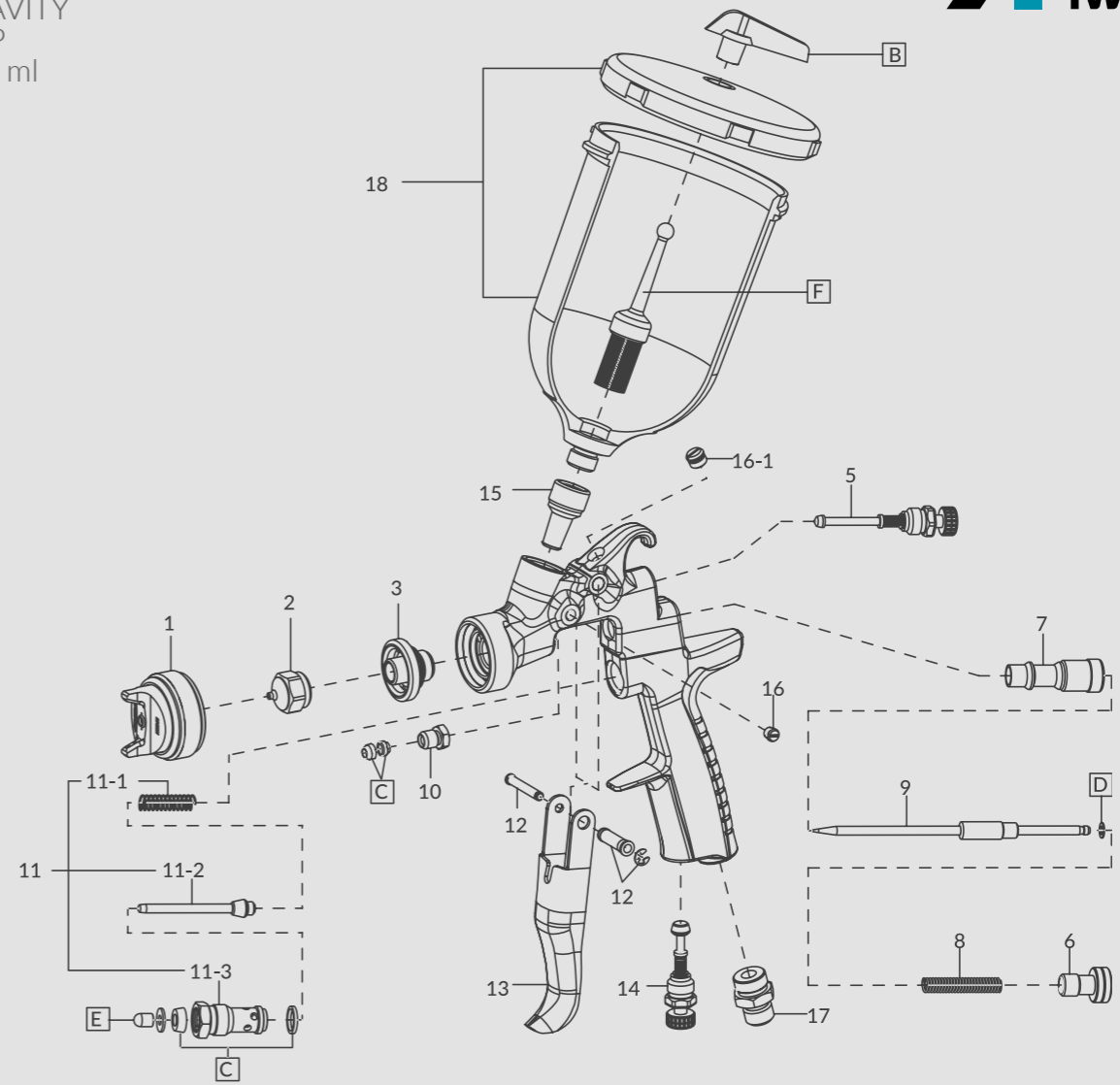
## ORDER INFORMATION

	Ø 1,2	Ø 1,3	Ø 1,4
AZ3 HTE-S IMPACT - Black Version	W0SPG90AG12C	W0SPG90AG13C	W0SPG90AG14C
AZ3 HTE-S IMPACT - Chrome Version	W0SPG91AG12C	W0SPG91AG13C	W0SPG91AG14C
AIR CAP SET (HTE-S1)	W2CAP90AG12		
FLUID NOZZLE + FLUID NEEDLE SET	W2ADU90AG12	W2ADU90AG13	W2ADU90AG14

	Ø 1,6	Ø 1,8	Ø 2,0
AZ3 HTE-S IMPACT - Black Version	W0SPG90AG16C	W0SPG90AG18C	W0SPG90AG20C
AZ3 HTE-S IMPACT - Chrome Version	W0SPG91AG16C	W0SPG91AG18C	W0SPG91AG20C
AIR CAP SET (HTE-S2)	W2CAP90AG16		
FLUID NOZZLE + FLUID NEEDLE SET	W2ADU90AG16	W2ADU90AG18	W2ADU90AG20

## PCG-6P-2-AZ

GRAVITY  
CUP  
600 ml



## SPARE PARTS

REF.	CODE	DESCRIPTION	QTY.
1		AIR CAP SET	
2+9		FLUID NOZZLE + FLUID NEEDLE SET	
3	W3COM3050	NOZZLE HOLDER	
5	93842601	PATTERN ADJ. SET	
6	W2COM6077	FLUID NEEDLE ADJ. KNOB	
7	W2010140900	FLUID NEEDLE GUIDE	
8	W2010140800	FLUID NEEDLE SPRING	
10	W2010140600	FLUID NEEDLE PACKING NUT	
11	W2COM6080	AIR VALVE SET	
11-1	W2010141700	AIR VALVE SPRING	
11-2	W2010130600	AIR VALVE	
11-3	W2010130500	AIR VALVE SEAT	
12	W2COM4041	TRIGGER STUD	
13	W2COM6051	TRIGGER	
14	93845531	AIR ADJ. SET	
15	W3COM5038	THREADED BUSHING	
16	W2COM5004	SCREW	
16-1	W2COM6050	PLUG	
17	W2COM5039	AIR NIPPLE	
C	W2KIT56	PACKING SET	(3 pcs./1 pk.)
D	W2KIT33	SLIDE RING SET	(10 pcs./1 pk.)
E	W2KIT37	AIR VALVE SHAFT TIP SET	(5 pcs./1 pk.)

REF.	CODE	DESCRIPTION
18	W0CUPAZ90	PCG-6P-2-AZ GRAVITY CUP 600 ml
B	W2KIT07	NON DRIP SET (5 pcs./1 pk.)
F	W2KIT06	FILTER SET 50 MESH (297µ) (5 pcs./1 pk.)
	W2KIT55UK	CLEANING KIT



## AZ3 HTE2 HVLP

### STANDARD QUALITY

#### FEATURES

- Robust spray gun for materials with high viscosity
- Trigger easy to dose
- Simple operation of the control knobs, for right and left handers
- Costs for spare parts replacement extremely customer friendly



**HVLP**  
HIGH VOLUME  
LOW PRESSURE  
TECHNOLOGY



TECHNICAL DATA	Ø mm	No.	bar	ml/min	Nl/min	mm
AZ3 HTE2 AV HVLP	2.0	HVLP	2.0	240	340	360

• Air nipple: G1/4" • Fluid nipple: G1/4"



#### SPECIAL WRENCH ACCESSORIES



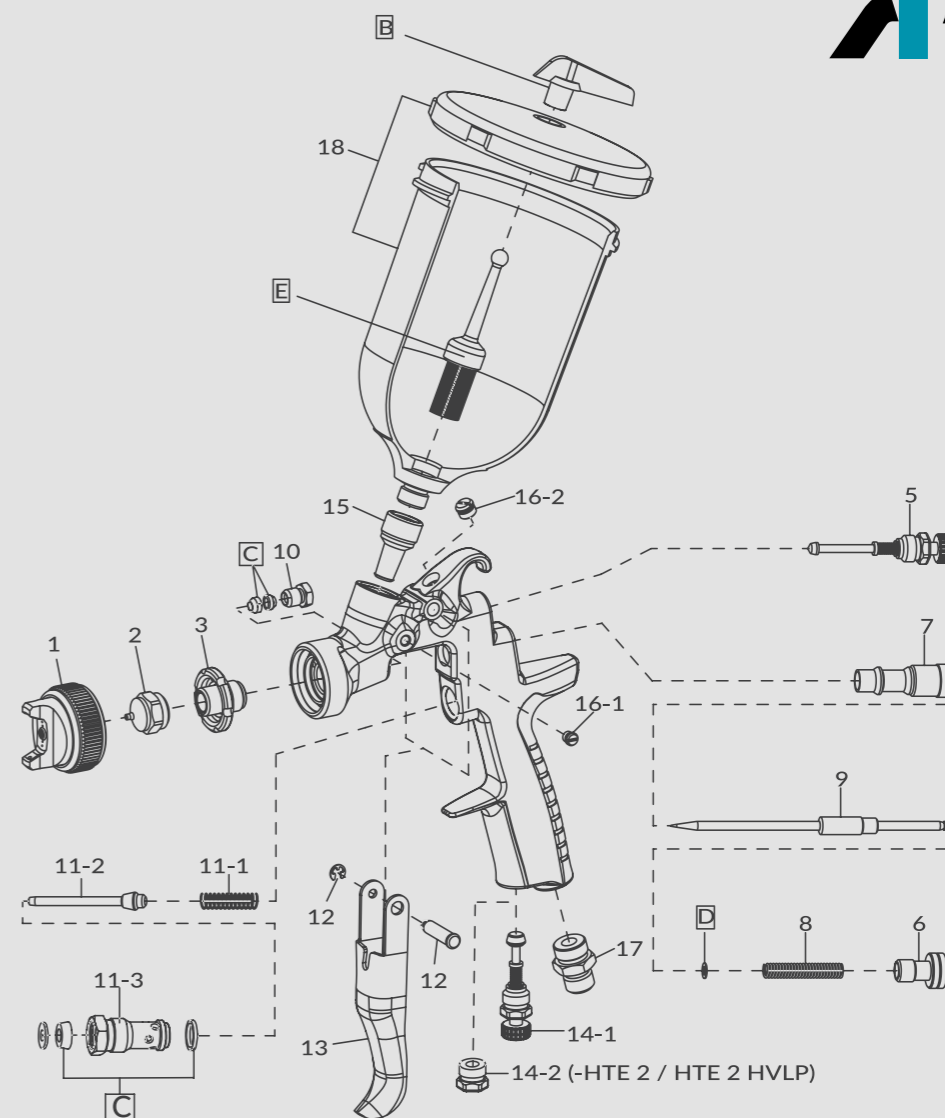
## ORDER INFORMATION



**CARTON BOX**  
AZ3 HTE2 HVLP Spray Gun  
PCG-6P-2B AZ CUP - 600 ml

	ø 2,0
AZ3 HTE2 HVLP with 600 ml CUP	W0SPG85AG20C
AIR CAP SET (HVLP)	W2CAP84AG
FLUID NOZZLE + FLUID NEEDLE SET	W2013031300

**PCG-6B  
2B-AZ**  
GRAVITY  
CUP  
600 ml



## SPARE PARTS

REF.	CODE	DESCRIPTION	QTY.
1		AIR CAP SET	
2+9		FLUID NOZZLE + NEEDLE SET	
3	W2010140200	NOZZLE HOLDER	
5	93842601	PATTERN ADJ. SET	
6	W2010141000	FLUID NEEDLE ADJ. KNOB	
7	W2010140900	FLUID NEEDLE GUIDE	
8	W2010140800	FLUID NEEDLE SPRING	
10	W2010140600	FLUID NEEDLE PACKING NUT	
11	W2010120100	AIR VALVE SET	
11-1	W2010141700	AIR VALVE SPRING	
11-2	W2010130600	AIR VALVE	
11-3	W2010130500	AIR VALVE SEAT	
12	W2COM4001	TRIGGER STUD	
13	W2COM6051	TRIGGER	
14-1	93845531	AIR ADJ. SET	
14-2	93625371	PLUG	
15	W2013040100	THREADED BUSHING	
16-1	W2COM5004	SCREW	
16-2	W2COM6050	PLUG	
17	W2COM5000	AIR NIPPLE	
C	W2KIT56	PACKING SET	(3 pcs./1 pk.)
D	W2KIT33	SLIDE RING SET	(10 pcs./1 pk.)

REF.	CODE	DESCRIPTION
18	W0012820100	PCG-6P-2B-AZ GRAVITY CUP 600 ml
B	W2KIT07	NON DRIP SET (5 pcs./1 pk.)
E	W2KIT06	FILTER SET 50 Mesh (297µ) (5 pcs./1 pk.)

## ACCESSORIES

CODE	DESCRIPTION
W2KIT55UK	CLEANING KIT
VPACAZ3H2	BLACK PLASTIC CASE (for 1 SPRAY GUN and 1 CUP)
W2503500100	SPECIAL WRENCH

# SPRAY PUTTY



# AZ3 HTE P.A.S. Concept

## STANDARD QUALITY

### FEATURES

- Robust spray gun with pressurized cup most suitable for high viscosity materials
- Large, uniform spray pattern also with high viscosity materials, thanks to the Pressure Assisted System (P.A.S.)
- Costs for spare parts replacement extremely customer friendly
- High material transfer rate
- All fluid passages are in stainless steel
- Precise mini-controller for cup pressure
- Trigger easy to dose

## HTE-P1 CONCEPT

HIGH PERFORMANCE SPRAY TECHNOLOGY

TECHNICAL DATA	Ø mm	No.	bar	ml/min	Nl/min	mm
AZ3 HTE P.A.S. CONCEPT	1.3	HTE-P1 CONCEPT	2.5	190	286	270
	1.5			260		320
	1.8			396		380
	2.0			410		400

• Air nipple: G1/4" • Fluid nipple: G1/4"

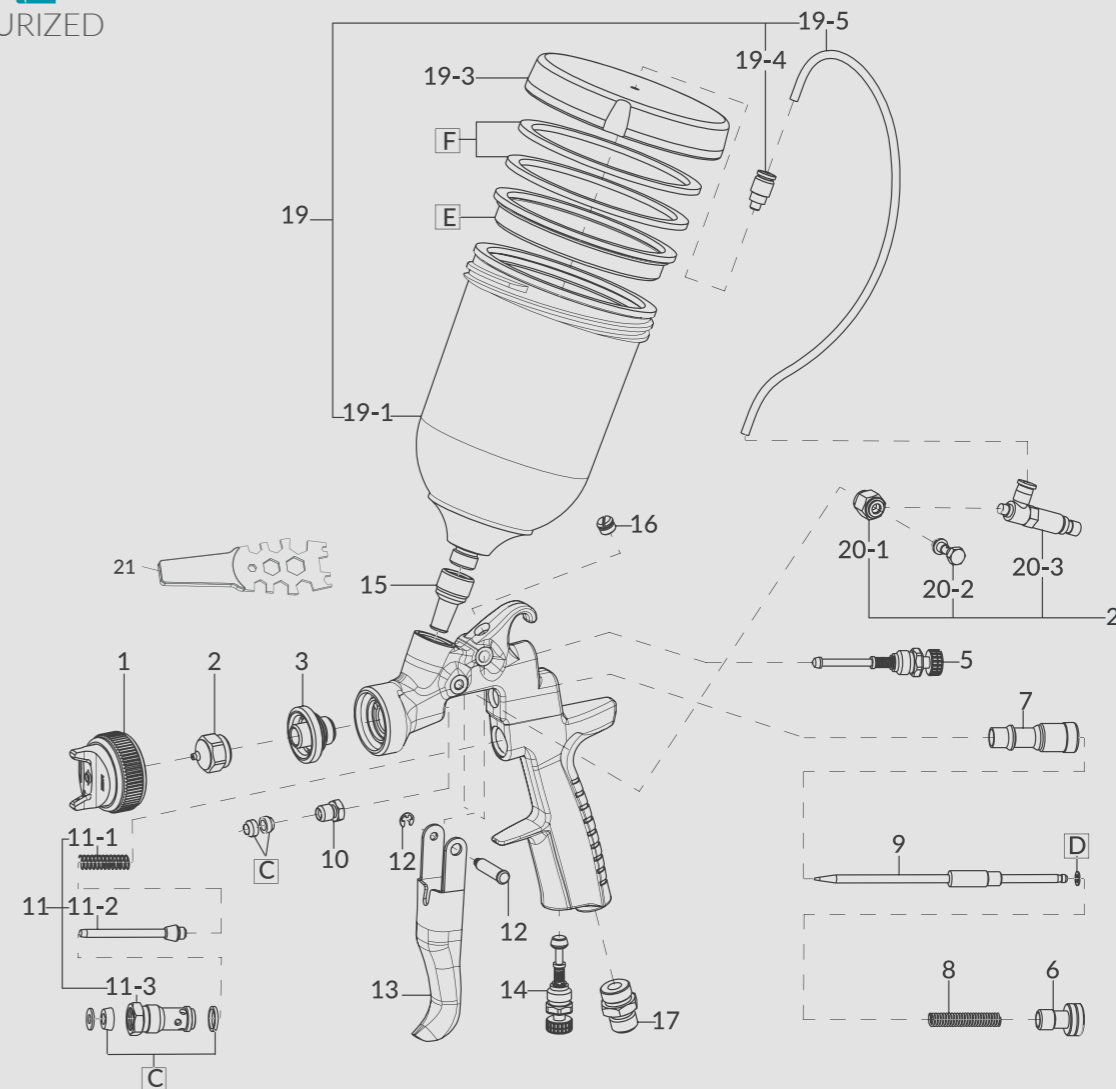


Flat and Long Pattern even spraying heavy materials



## PCGP-6P 2B-AZ

PRESSURIZED CUP  
600 ml



AZ3 HTE P.A.S. Concept

## METAL LID

Sturdy and resistant for heavy duty use



## PRESSURE Assisted System

### HIGH PRECISION

MINI PRESSURE REGULATOR



## ORDER INFORMATION

### CARTON BOX

AZ3 HTE P.A.S. Concept Spray Gun  
PCGP-6P-2P-AZ PRESSURIZED CUP - 600 ml  
Universal Spanner



	Ø 1,3	Ø 1,5	Ø 1,8	Ø 2,0
AZ3 HTE P.A.S.	W0SPG88AG13C	W0SPG88AG15C	W0SPG88AG18C	W0SPG88AG20C
AIR CAP SET (HTE-P1 CONCEPT)	W2CAP83AG13			
FLUID NOZZLE + FLUID NEEDLE SET	W2ADU83AG13	W2ADU83AG15	W2ADU83AG18	W2ADU83AG20

## SPARE PARTS

REF.	CODE	DESCRIPTION	QTY.
1		AIR CAP SET	
2+9		NOZZLE + NEEDLE SET	
3	W3COM3050	NOZZLE HOLDER	
5	93842601	PATTERN ADJ. SET	
6	W2010141000	FLUID NEEDLE ADJ. KNOB	
7	W2010140900	FLUID NEEDLE GUIDE	
8	W2010140800	FLUID NEEDLE SPRING	
10	W2010140600	FLUID NEEDLE PACKING NUT	
11	W2010120100	AIR VALVE SET	
11-1	W2010141700	AIR VALVE SPRING	
11-2	W2010130600	AIR VALVE	
11-3	W2010130500	AIR VALVE SEAT	
12	W2COM4001	TRIGGER STUD	
13	W2COM6051	TRIGGER	
14	93845531	AIR ADJ. SET	
15	W3COM5038	THREADED BUSHING	
16	W2COM6050	PLUG	
17	W2COM5000	AIR NIPPLE	
C	W2KIT56	PACKING SET	(3 pcs./1 pk.)
D	W2KIT33	SLIDE RING SET	(10 pcs./1 pk.)

REF.	CODE	DESCRIPTION
19	W0CUPAZ85	PCGP-6P-2B-AZ PRESSURIZED CUP 600 ml
19-1	W3COM1037	PRESSURE CUP
19-3	W3COM1031	LID
19-4	W3COM5041	STRAIGHT MALE ADAPTOR
19-5	0010002700	AIR HOSE
E	W2KIT38	NON DRIP SET (3 pcs.)
F	W2KIT39	LID PACKING SET (4 pcs.)
20	W2SUB6066	PRESSURE REGULATOR SET
20-1	W3COM4030	ORIENTING RING
20-2	W3COM4033	BANJO STEM SINGLE
20-3	W3COM5032	PRESSURE REGULATOR
21	930171A0	UNIVERSAL SPANNER

## ACCESSORIES

CODE	DESCRIPTION
W2KIT55UK	CLEANING KIT





# SMART REPAIR

## W-300 WB

PREMIUM  
QUALITY

**SPLIT NOZZLE™**  
PRE-ATOMIZATION  
TECHNOLOGY



**high T.E.C.**  
Transfer Efficiency Control

TECHNICAL DATA	Ø mm	No.	bar	mL/min	NL/min	mm
W-300 WB - 101G	1.0	WB1	1.5	65	190	230
W-300 WB - 121G	1.2			100		240
W-300 WB - 141G	1.4			125		250

• Air Nipple: G1/4" • Fluid Nipple: G1/4"

### ORDER INFORMATION

	Ø 1,0	Ø 1,2	Ø 1,4
W-300 WB - PRO KIT (600 ml CUP)	13241518P	13241528P	13241508P
W-300 WB - PRO KIT (200 ml CUP)	13241515P	13241525P	13241505P
AIR CAP SET (WB1)	93592621		
FLUID NOZZLE + FLUID NEEDLE SET	93602620	93591620	93595620



## W-300

STANDARD  
QUALITY

**SPLIT NOZZLE™**  
PRE-ATOMIZATION  
TECHNOLOGY



**high T.E.C.**  
Transfer Efficiency Control

TECHNICAL DATA	Ø mm	No.	bar	mL/min	NL/min	mm
W-300-081G	0.8	E1	2.5	60	80	100
W-300-101G	1.0	K1		100	145	130
W-300-132G	1.3	H2		160	225	175

• Air Nipple: G1/4" • Fluid Nipple: G1/4"



### ORDER INFORMATION

	Ø 0,8	Ø 1,0	Ø 1,3
W-300 PRO KIT (600 ml CUP)	13241828P	13241818P	13241808P
W-300 PRO KIT (200ml CUP)	13241825P	13241815P	13241805P
AIR CAP SET	E1 93689610		
AIR CAP SET	-	-	H2 93696610
AIR CAP SET	-	K1 93735610	-
FLUID NOZZLE + FLUID NEEDLE SET	93590621	93600621	-
FLUID NOZZLE + FLUID NEEDLE SET	-	-	93666610P

#### CARTON BOX

PRO KIT - with 600 ml CUP  
W-300 WB or W-300 Spray Gun  
PC-G600P-2 CUP - 600 ml  
Cleaning Brushes - Universal Spanner

#### CARTON BOX

PRO KIT - with 200 ml CUP  
W-300 WB Spray Gun  
PCG 2P-2 CUP - 200ml  
Cleaning Brushes - Universal Spanner

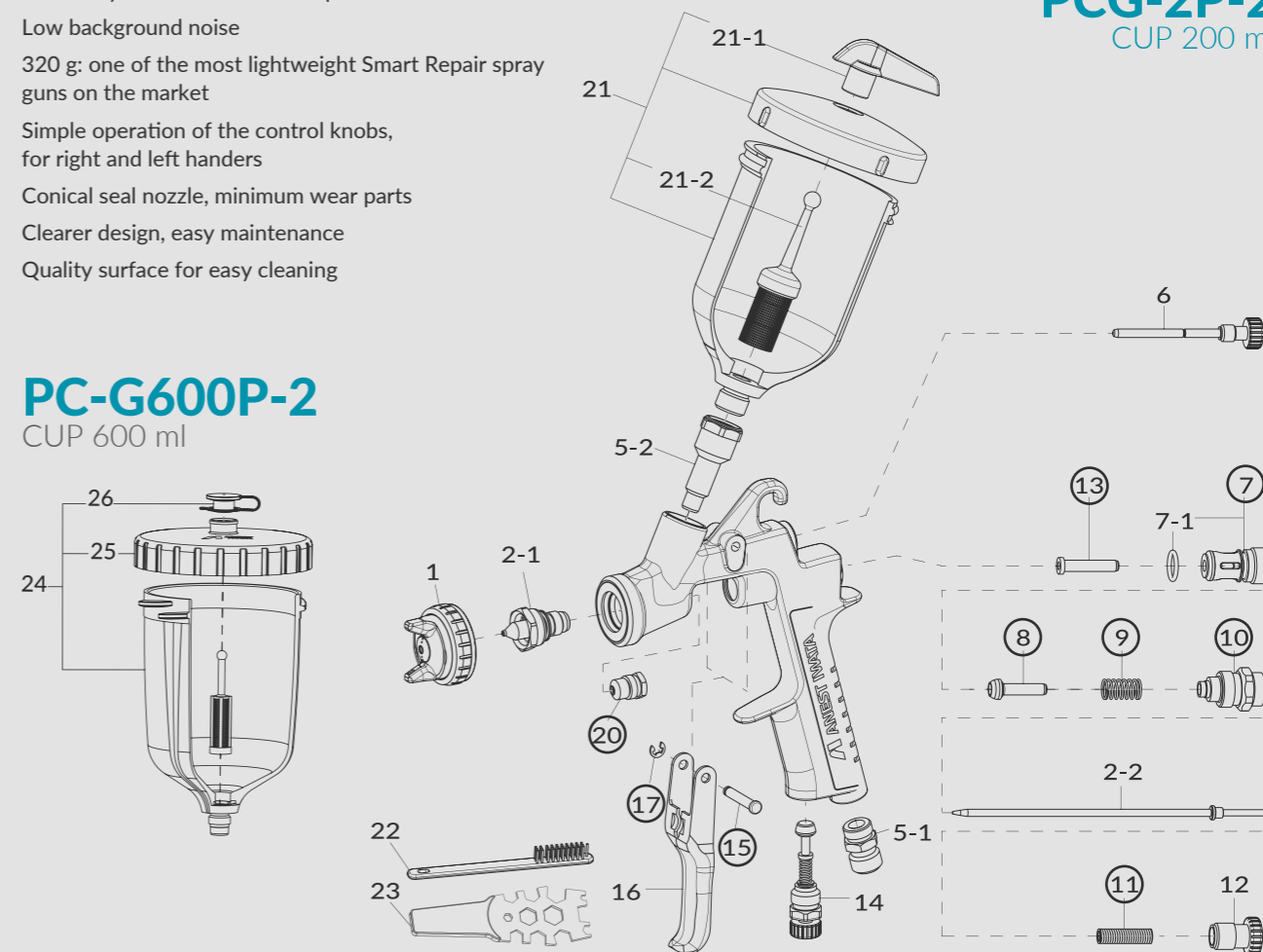
#### FEATURES

- Perfect surfaces thanks to the Split Nozzle™ technology
- Specific for blending, for example for side walls, bumper and smaller areas
- Barely visible transitions thanks to the soft and fine spray pattern
- Very fine atomization with low air consumption (190 l/min)
- Extremely low material consumption
- Low background noise
- 320 g: one of the most lightweight Smart Repair spray guns on the market
- Simple operation of the control knobs, for right and left handers
- Conical seal nozzle, minimum wear parts
- Clearer design, easy maintenance
- Quality surface for easy cleaning

**ANEST IWATA**

**PCG-2P-2**  
CUP 200 ml

**PC-G600P-2**  
CUP 600 ml



### SPARE PARTS

REF.	CODE	DESCRIPTION	QTY.
5-1	03660300	AIR NIPPLE	
5-2	03575620	FLUID NIPPLE	
6	03577620	PATTERN ADJ. SET	
7	03843530	AIR VALVE SEAT SET	
7-1	06638008	'O'RING	
8	03591530	AIR VALVE	
9	03719530	AIR VALVE SPRING	
10	93844532	FLUID ADJ. GUIDE SET	
11	03593530	FLUID NEEDLE SPRING	
12	93594532	FLUID ADJ. KNOB	
13	93935430	AIR VALVE SHAFT	
14	93845531	AIR ADJ. SET	
15	03667360	TRIGGER STUD	
16	03597530	TRIGGER	
17	03912030	E STOPPER	(2 pcs./1 pk.)
20	03810620	NEEDLE PACKING SET	
22	W2COM6163	BRUSHES	(5 pcs./1 pk.)
23	930171A0	UNIVERSAL SPANNER	

REF.	CODE	DESCRIPTION
21	WOCUPAZ40IN	PCG-2P-2 GRAVITY CUP 200 ml
21-1	W2KIT07	NON DRIP SET (5 pcs./1pk.)
21-2	W2KIT06	FILTER 50 Mesh (297µ) (5 pcs./1pk.)
24	14019100	PC-G600P-2 GRAVITY CUP 600 ml
25	94011220	LID (for 600 ml cup)
26	94011230	NON DRIP (for 600 ml cup)

### ACCESSORIES

CODE	DESCRIPTION
03608320	AIR CAP PACKING (WHITE)
03576530	AIR CAP "L" PACKING (BLACK)
W2KIT55UK	CLEANING KIT
W2COM6190	REPAIRING KIT 2 (includes: air valve seat set, air valve, air valve spring, fluid needle spring, air valve shaft, fluid adj. guide set, trigger stud, e stopper, needle packing cartridge).
94011240	FILTER 60 Mesh (250µ)

W-300 WB



## W-300WB UV Cured Paints

### THE W-300 WB UV IS THE LATEST ADDITION TO OUR W-300 SERIES

As the W-300 series is already known for its superior atomization, we have added some very specific features to our 1.2 nozzle size to make it a dedicated specialist for UV paint application. It comes with a black colored 200 ml cup that prevents UV ray exposition of the paint and for extra convenience we have added an Air Cap Cover to protect the area around the nozzle. This prevents remaining paint on the nozzle or air cap from curing while the spray gun is not in use, making its usage and cleaning as effortless as possible. Although the black cup characterizes the visual appearance of the spray gun already we have added several other black details and an additional engraving to make recognizing it even easier.

#### FEATURES

- Specific for UV cured paints
- Black UV Paint Cup: 200 ml
- Black Air Cap Cover to prevent paint from drying
- A very fine atomization even at a low air inlet pressure
- Higher-transfer efficiency
- Lower air consumption & less overspray
- The spray pattern is large, uniform, flat, soft



TECHNICAL DATA	Ø mm	No.	bar	ml/min	NL/min	mm
W-300 WB 101G	1.0	WB1	1.5	65	190	230
W-300 WB 121G	1.2			100		240

• Air Nipple: G1/4" • Fluid Nipple: G1/4"



## ORDER INFORMATION

### PRO KIT - CARTON BOX

W-300 WB UV Spray Gun  
PCG-2P-2-S1 CUP - 200 ml Black Gravity Cup  
Cleaning Brushes - Universal Spanner

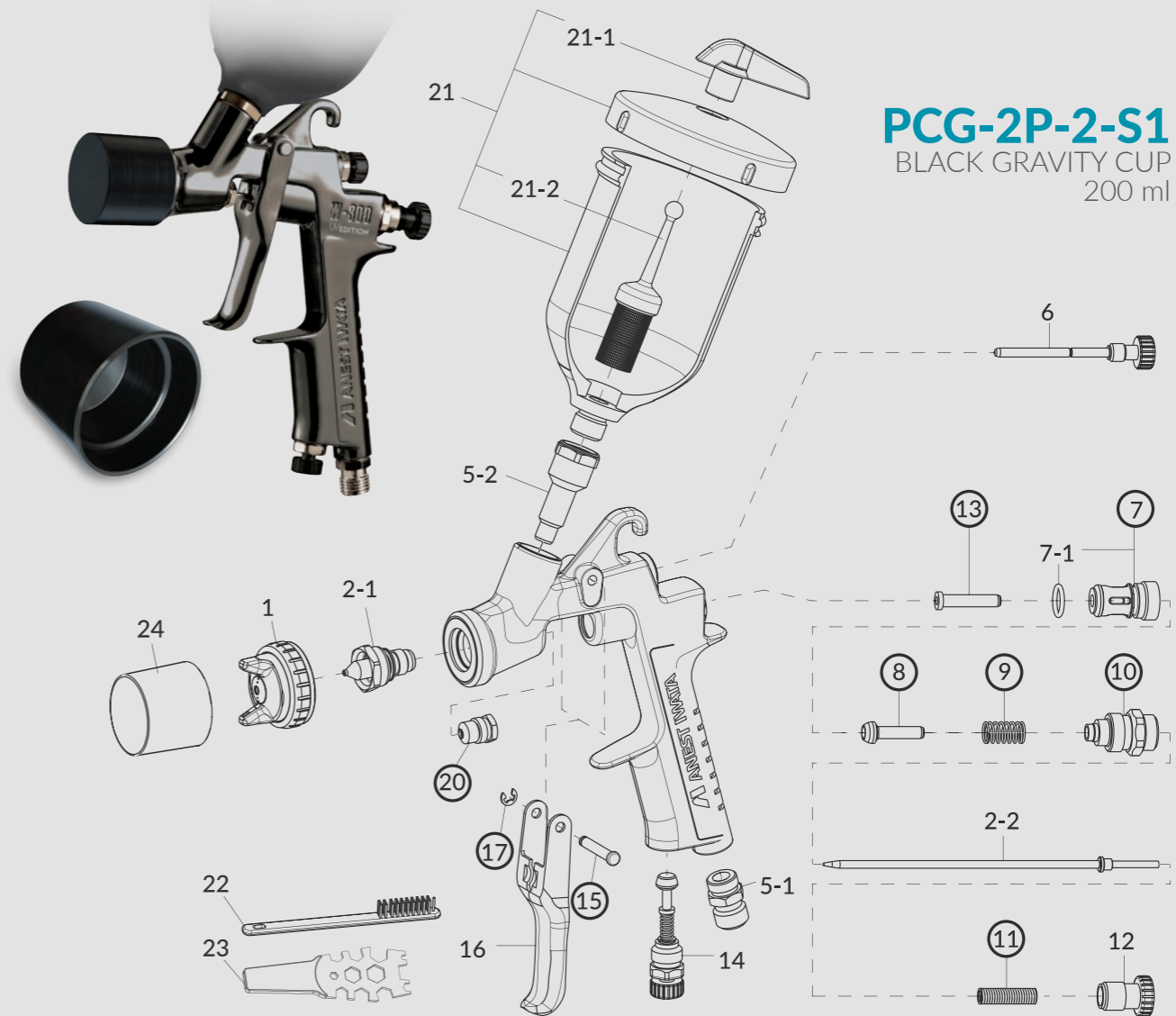
	Ø 1,0	Ø 1,2
W-300 WB UV - PRO KIT (200 ml CUP)	130709A0	130068A0
AIR CAP SET BLACK (WB1)	930149A0	
FLUID NOZZLE + FLUID NEEDLE SET	93602620	93591620



AIR CAP PROTECTION

ANEST IWATA

PCG-2P-2-S1  
BLACK GRAVITY CUP  
200 ml



## SPARE PARTS

REF.	CODE	DESCRIPTION	QTY.
5-1	03660300	AIR NIPPLE	
5-2	03575620	FLUID NIPPLE	
6	930151A0	PATTERN ADJ. SET	
7	03843530	AIR VALVE SEAT SET	
7-1	06638008	'O'RING	
8	03591530	AIR VALVE	
9	03719530	AIR VALVE SPRING	
10	93844532	FLUID ADJ. GUIDE SET	
11	03593530	FLUID NEEDLE SPRING	
12	930150A0	FLUID ADJ. KNOB	
13	93935430	AIR VALVE SHAFT	
14	930152A0	AIR ADJ. SET	
15	03667360	TRIGGER STUD	
16	930197A0	TRIGGER	
17	03912030	E STOPPER	(2 pcs./1 pk.)
20	03810620	NEEDLE PACKING SET	
22	W2COM6163	BRUSHES	(5 pcs./1 pk.)
23	930171A0	UNIVERSAL SPANNER	

REF.	CODE	DESCRIPTION
21	140025A0	PCG-2P-2-S1 BLACK GRAVITY CUP 200 ml with Fluid Joint in INOX
21-1	W2KIT07	NON DRIP SET (5 pcs./1pk.)
21-2	W2KIT06	FILTER 50 Mesh (297µ) (5 pcs./1pk.)
24	930147A0	AIR CAP PROTECTION

## ACCESSORIES

CODE	DESCRIPTION
03608320	AIR CAP PACKING (WHITE)
03576530	AIR CAP "L" PACKING (BLACK)
W2KIT55UK	CLEANING KIT
W2COM6190	REPAIRING KIT 2 (includes: air valve seat set, air valve, air valve spring, fluid needle spring, air valve shaft, fluid adj. guide set, trigger stud, e stopper, needle packing cartridge).
94011240	FILTER 60 Mesh (250µ)





## AZ4 HTE-S Impact Junior

### STANDARD QUALITY



200 ml Gravity CUP

This version has been designed to achieve those small and medium repairs on a vehicle body, which can be perfectly repaired thanks to the high transfer-efficiency and the more control that this spray gun grants, together with the maximum comfort for the operator. Ideal for both water and solvent based paints, it is provided with an adjustable inlet valve and it is available both with a 200 ml or a 70 ml cup.

#### FEATURES

- Flat and even fan pattern: excellent colour reproduction and mottle free control
- Low pressure properties: atomizes at low pressures to keep repair small
- Double tapered seat nozzle system: nozzle thread has no contact with paint so it is easy to keep clean
- PTFE coated black gun body: appealing design and ease of cleaning and maintenance
- Ergonomic design redesigned for maximum balance and comfort
- Smooth trigger action: perfect spot repair control
- Most parts interchangeable with AZ3 HTE2: cost saving on spares



70 ml Gravity CUP

### PERFORMANCE SPRAY TECHNOLOGY



TECHNICAL DATA	Ø mm	No.	bar	m <sup>3</sup> /min	N <sup>2</sup> /min	mm
AZ4 HTE-S	0.8	AZ4-1	1.0	50	105	120
	1.0			65		150
	1.2			80		160
	1.3	AZ4-2	2.5	140	235	150

• Air nipple: G1/4" • Fluid nipple: G1/4"

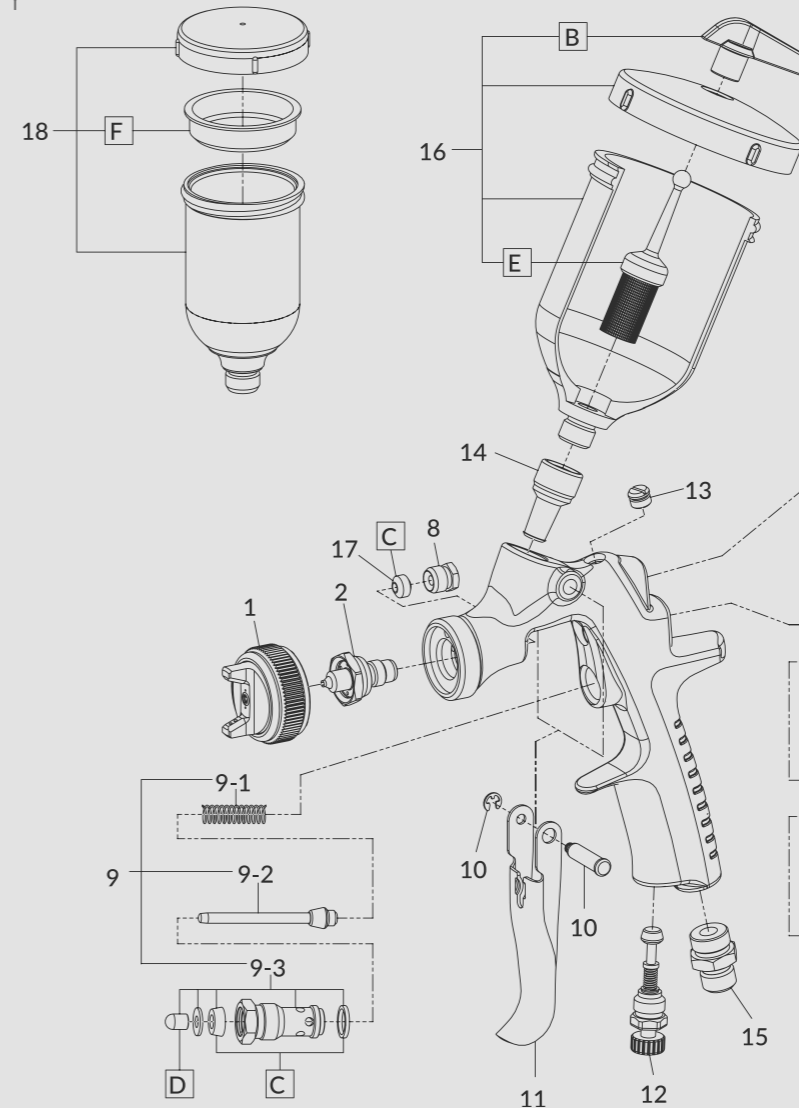
### ORDER INFORMATION

**CARTON BOX** AZ4 HTE-S Spray Gun PCG-2P-2 CUP - 200 ml  
**CARTON BOX** AZ4 HTE-S Spray Gun PCG-1P-2 - 70 ml

	Ø 0,8	Ø 1,0	Ø 1,2	Ø 1,3
AZ4 HTE-S with 200 ml CUP	13000710	13000720	13000730	13000740
AZ4 HTE-S with 70 ml CUP	13001130	13001140	13001150	-
AIR CAP SET (AZ4-1)		93003740		93003750
FLUID NOZZLE + FLUID NEEDLE SET	93004580	93004590	93004600	93004610

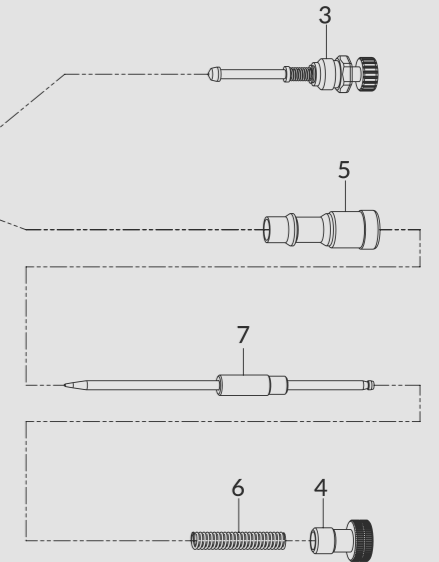
### PCG-1P-2

GRAVITY CUP  
70 ml



### PCG-2P-2

GRAVITY CUP  
200 ml



### SPARE PARTS

REF.	CODE	DESCRIPTION	QTY.
1		AIR CAP SET	
2+7		FLUID NOZZLE + NEEDLE SET	
3	93842601	PATTERN ADJUSTMENT SET	
4	W2010141000	FLUID NEEDLE ADJ. KNOB	
5	W2010140900	FLUID NEEDLE GUIDE	
6	W2010140800	FLUID NEEDLE SPRING	
8	W2COM3011	NEEDLE PACKING NUT	
9	W2COM6080	AIR VALVE SET	
9-1	W2010141700	AIR VALVE SPRING	
9-2	W2010130600	AIR VALVE	
9-3	W2010130500	AIR VALVE SEAT	
10	W2COM4001	TRIGGER STUD	
11	93003810	TRIGGER	
12	93845531	AIR ADJUSTMENT SET	
13	W2COM6050	PLUG	
14	W3COM5038	THREADED BUSHING	
15	W2COM5000	AIR NIPPLE	
17	W2COM2006	NEEDLE PACKING	
C	93005550	PACKING SET	(3 pcs./1 pk.)
D	W2KIT37	AIR VALVE SHAFT TIP SET	(5 pcs./1 pk.)

REF.	CODE	DESCRIPTION
16	W0CUPAZ40IN	PCG-2P-2 GRAVITY CUP 200 ml
B	W2KIT07	NON DRIP SET (5pcs./1 pk.)
E	W2KIT06	FILTER SET 50 Mesh (297µ) (5pcs./1 pk.)
18	13001200	PCG-1P-2 GRAVITY CUP 70 ml
F	W2KIT52	NON DRIP SET (3 pcs./1 pk.)

### ACCESSORIES

CODE	DESCRIPTION
W2KIT55UK	CLEANING KIT



# SPOT REPAIR

Small refinishing up to a size of about 3.5 cm, partial repairs

## LPH-80 (LVLP)

### PREMIUM QUALITY

#### FEATURES

- Specific for small repair jobs and areas that are hard to reach
- Very fine atomization with low air consumption (60 l/min)
- Extremely low material consumption
- Perfect handling when blending
- Low background noise
- 205 g: one of the most lightweight Spot Repair spray guns on the market
- Simple operation of the control knobs, for right and left handers
- Conical seal nozzle, minimum wear parts
- Clearer design, easy maintenance
- Quality surface for easy cleaning

TECHNICAL DATA	Ø mm	No.	bar	ml/min	Nl/min	mm
LPH-80 - 044G	0.4	E4	1.0	10	60	55
LPH-80 - 064G	0.6			30		80
LPH-80 - 084G	0.8			45		100
LPH-80 - 104G	1.0			60		130
LPH-80 - 124G	1.2			75		140

• Air Nipple: G1/4" • Fluid Nipple: G1/8"

Further development of HVLP technology



LOW VOLUME  
LOW PRESSURE



## ORDER INFORMATION

### CARTON BOX

with 250 or 70 ml CUP  
LPH-80 Spray Gun  
PCG-3P-1 CUP - 250 ml  
PCG-1P-1 CUP 70 ml  
Cleaning Brushes

	Ø 0,4	Ø 0,6	Ø 0,8	Ø 1,0	Ø 1,2
LPH-80 - (with 250 ml CUP)	13180707P	13180717P	13180747P	13180727P	13180737P
LPH-80 - (with 70 ml CUP)	131807072P	131807172P	131807472P	131807272P	131807372P
LPH-80 - (with 250 ml +70 ml CUPS)	131807071	131807171	131807471	131807271	131807371
AIR CAP SET (E4)	93662600				
FLUID NOZZLE SET	93570600	93568600	93761530	93560600	93760530
FLUID NEEDLE SET	93891600	93890600		93886600	



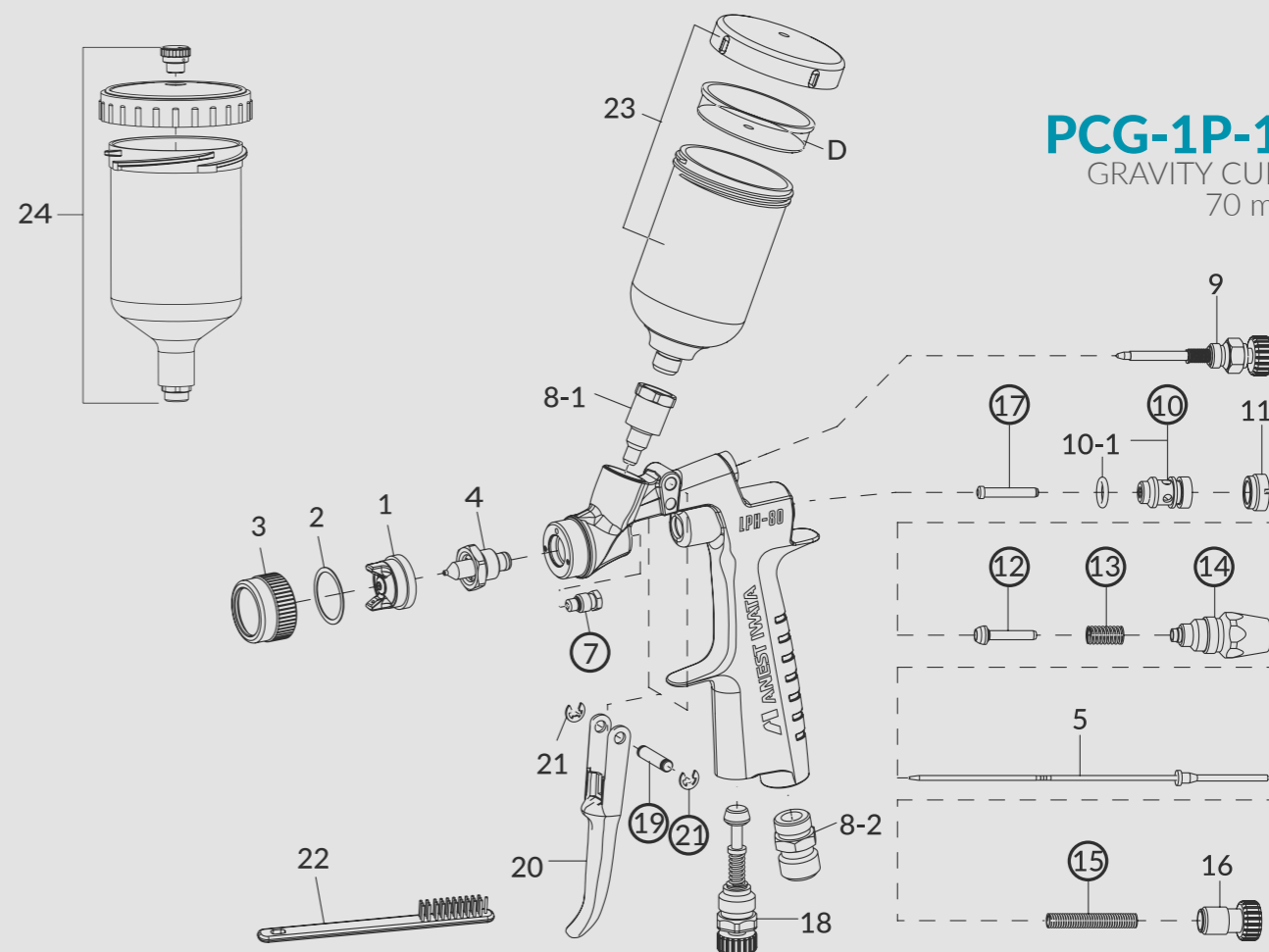
70 ml  
Gravity  
CUP



250 ml  
Gravity  
CUP



PCG-3P-1  
GRAVITY CUP  
250 ml



PCG-1P-1  
GRAVITY CUP  
70 ml

## SPARE PARTS

REF.	CODE	DESCRIPTION	QTY.
1		AIR CAP SET	
4		FLUID NOZZLE SET	
5		FLUID NEEDLE SET	
2	03558600	AIR CAP PACKING	
3	03559600	AIR CAP COVER	
7	93940890	NEEDLE PACKING SET	
8-1	93753530	FLUID NIPPLE	
8-2	03660300	AIR NIPPLE	
9	93748530	PATTERN ADJ. SET	
10	03912880	AIR VALVE SEAT SET	
10-1	06638005	'O'RING	
11	03011880	AIR VALVE SEAT SCREW	
12	03013880	AIR VALVE	
13	03012880	AIR VALVE SPRING	
14	03936880	FLUID ADJ. GUIDE SET	
15	03015880	FLUID NEEDLE SPRING	
16	93754530	FLUID ADJ. KNOB	
17	03006880	AIR VALVE SHAFT	
18	93845531	AIR ADJ. SET	
19	03167890	TRIGGER STUD	(2 pcs./1 pk.)
20	03162890	TRIGGER	
21	03912030	E STOPPER	(2 pcs./1 pk.)
22	W2COM6163	BRUSHES	(5 pcs./1 pk.)

REF.	CODE	DESCRIPTION
23	13678980	PCG-1P-1 GRAVITY CUP 70 ml + NON DRIP SET
D	W2KIT25	NON DRIP SET (3 pcs./1 pk.)
24	VPE250	PCG-3P-1 GRAVITY CUP 250 ml

## ACCESSORIES

CODE	DESCRIPTION
W2KIT55UK	CLEANING KIT
W2COM6191	REPAIRING KIT 3 (includes: air valve seat set, air valve, air valve spring, fluid needle spring, air valve shaft, fluid adj. guide set, trigger stud, e stopper, needle packing cartridge).
93280881	SPANNER for LPH-80

LPH-80 (LVLP)





## RG-3L - ROUND PATTERN

### HIGH QUALITY

#### FEATURES

- Specific for decorative paintings with regular nozzles
- Used for modeling, contours painting and graphics
- Fine atomization
- For right and left handers
- With side cup for best control when working
- Individual angle adjustment of the cup
- Very low air requirement, 30-50 NI/min depending on the nozzle size
- RG-3L-S3 flat pattern (0.6 nozzle size)
- Conical seal nozzle, minimum wear parts
- Clearer design, easy maintenance



200 ml  
Gravity  
CUP

• Air nipple: G1/4" • Fluid nipple: G1/4"

TECHNICAL DATA	Ø mm	No.	bar	m <sup>3</sup> /min	N <sup>2</sup> /min	mm
RG-3L 1	0.4	1		15		25
RG-3L 2	0.6	2	2.5	35	30	35
RG-3L 3	1.0	3		80		35



130 ml  
Gravity  
CUP

## ORDER INFORMATION

### CARTON BOX

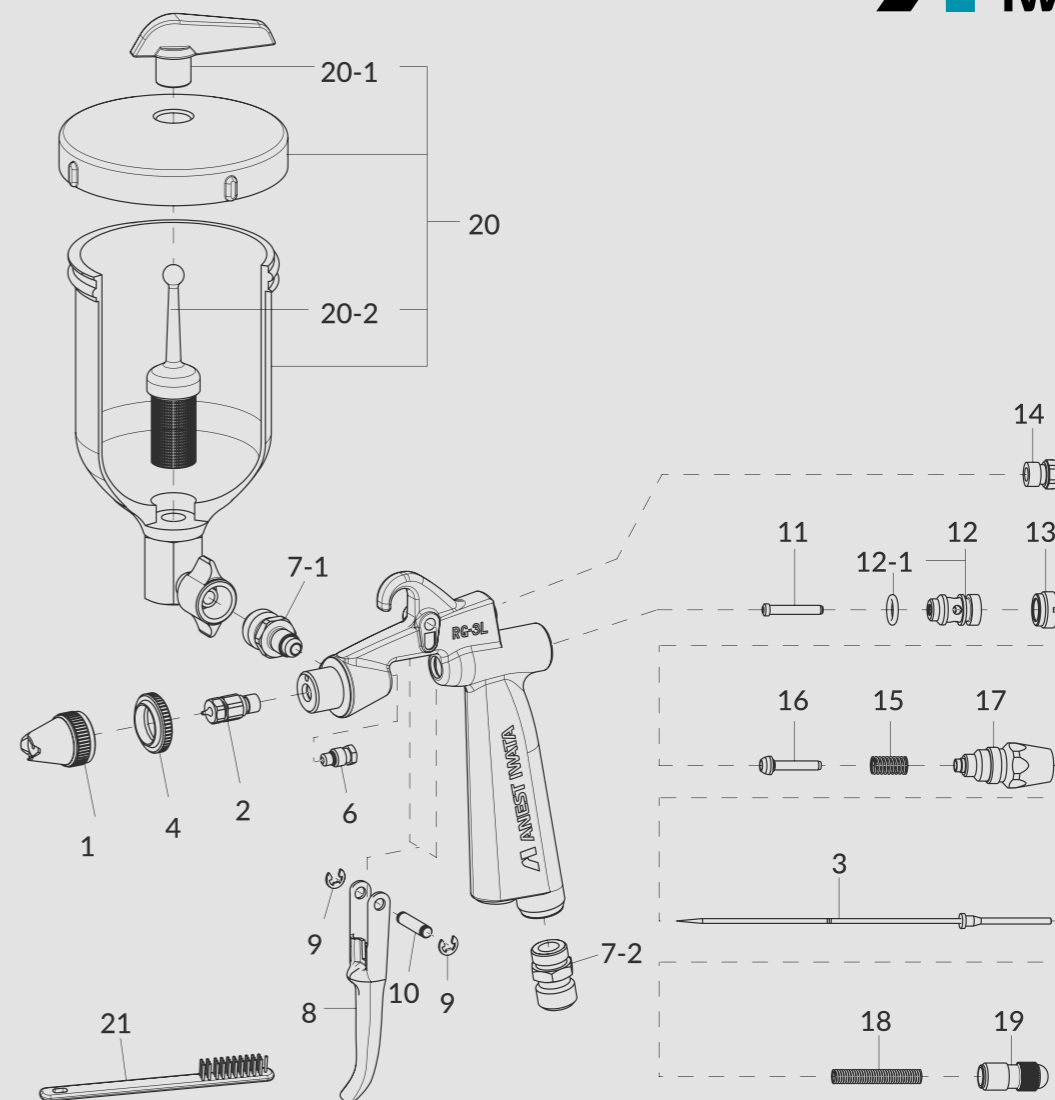
with 200 or 130 ml CUP  
RG-3L Spray Gun  
PC-52 AG CUP - 200 ml / PC-61 CUP - 130 ml  
Cleaning Brushes

	Ø 0,4	Ø 0,6	Ø 1,0
RG-3L SPRAY GUN	13058600	13058610	13058620
RG-3L SPRAY GUN with 200 ml CUP	13058606	13058616	13058626
RG-3L SPRAY GUN with 130 ml CUP	13058605	13058615	13058625
AIR CAP SET	93022890	93025880	93026880
FLUID NOZZLE SET	93042880	93041880	93040890
FLUID NEEDLE SET	93910880	93937880	93938880

	Ø 0,6	-	-
RG-3LS3 SPRAY GUN	13058650	-	-
AIR CAP SET	93023881	-	-
FLUID NOZZLE SET	93041880	-	-
FLUID NEEDLE SET	93937880	-	-

## PC-52 AG

SIDE  
GRAVITY  
CUP  
200 ml



## SPARE PARTS

REF.	CODE	DESCRIPTION	QTY.
1		AIR CAP SET RG-3L	
1		AIR CAP SET RG-3L-S3	
2		FLUID NOZZLE SET	
3		FLUID NEEDLE SET	
4	03028890	JAM NUT	
6	93940890	NEEDLE PACKING SET	
7-1	93005891	FLUID NIPPLE	
7-2	03660600	AIR NIPPLE	
8	03162890	TRIGGER	
9	03912030	E STOPPER	
10	03167890	TRIGGER STUD	
11	03006880	AIR VALVE SHAFT	
12	03912880	AIR VALVE SEAT SET	
12-1	06638005	'O'RING	
13	03011880	AIR VALVE SEAT SCREW	
14	93027880	PLUG	
15	03012880	AIR VALVE SPRING	
16	03013880	AIR VALVE	
17	03936880	FLUID ADJ. GUIDE SET	
18	03015880	FLUID NEEDLE SPRING	
19	03017880	FLUID ADJ. KNOB	

REF.	CODE	DESCRIPTION
21	W2COM6163	BRUSHES (5 pcs./1 pk.)
20	14018186F	PC-52 AG SIDE GRAVITY CUP 200 ml
	14018190	PC 61 SIDE GRAVITY CUP 130 ml

## ACCESSORIES

CODE	DESCRIPTION
W2KIT55UK	CLEANING KIT
93280881	SPANNER FOR RG-3L



# AIRBRUSHES

## CUSTOM MICRON

### PREMIUM QUALITY

The Iwata Custom Micron series is specially designed for the realization of the most extreme details. The removable head system is customized and fine-tuned by hand, to meet the stringent Iwata performance standards and to ensure superior atomization.

### Custom Micron AIRBRUSH SERIES



	C1	C2
CUSTOM MICRON CM-C2 Plus (Cup 9 ml)	-	ICM 4502
CUSTOM MICRON CM-C2 (Cup 9 ml)	-	ICM 4002
CUSTOM MICRON CM-B2 (Cup 1.8 ml)	ICM 2002	-
CUSTOM MICRON TAKUMI (Cup 3.8 ml)	ICM350T	-

### ORDER INFORMATION

Detail Thickness: C2= Fine/Medium detail / C1=Extreme detail

## ECLIPSE SERIES

### HIGH QUALITY

The Iwata Eclipse Series unique multi-purpose, high-flow spray guns are designed to easily atomise heavier products from a controlled thin line to a controlled wide spray. This makes this series highly versatile and suitable for almost any project.

### Eclipse AIRBRUSH SERIES



	E3	E5
ECLIPSE HP-CS	ECL 4500	-
ECLIPSE TAKUMI	ECL350T	-
ECLIPSE HP-BS	ECL 2500	-
ECLIPSE HP-BCS	-	ECL 2000

### ORDER INFORMATION

Detail Thickness: E3= Fine/Medium detail / E5= Medium/ Wide detail

## NEO SERIES

### STANDARD QUALITY

The Iwata Revolution series and NEO series offer soft, effortless coverage and excellent quality atomization even at low pressures. Fine atomization is achieved by using smaller air compressors, making this series an easy choice for medium spray applications and for anyone wishing to start using an airbrush for the first time.

### neo for iwata AIRBRUSH SERIES



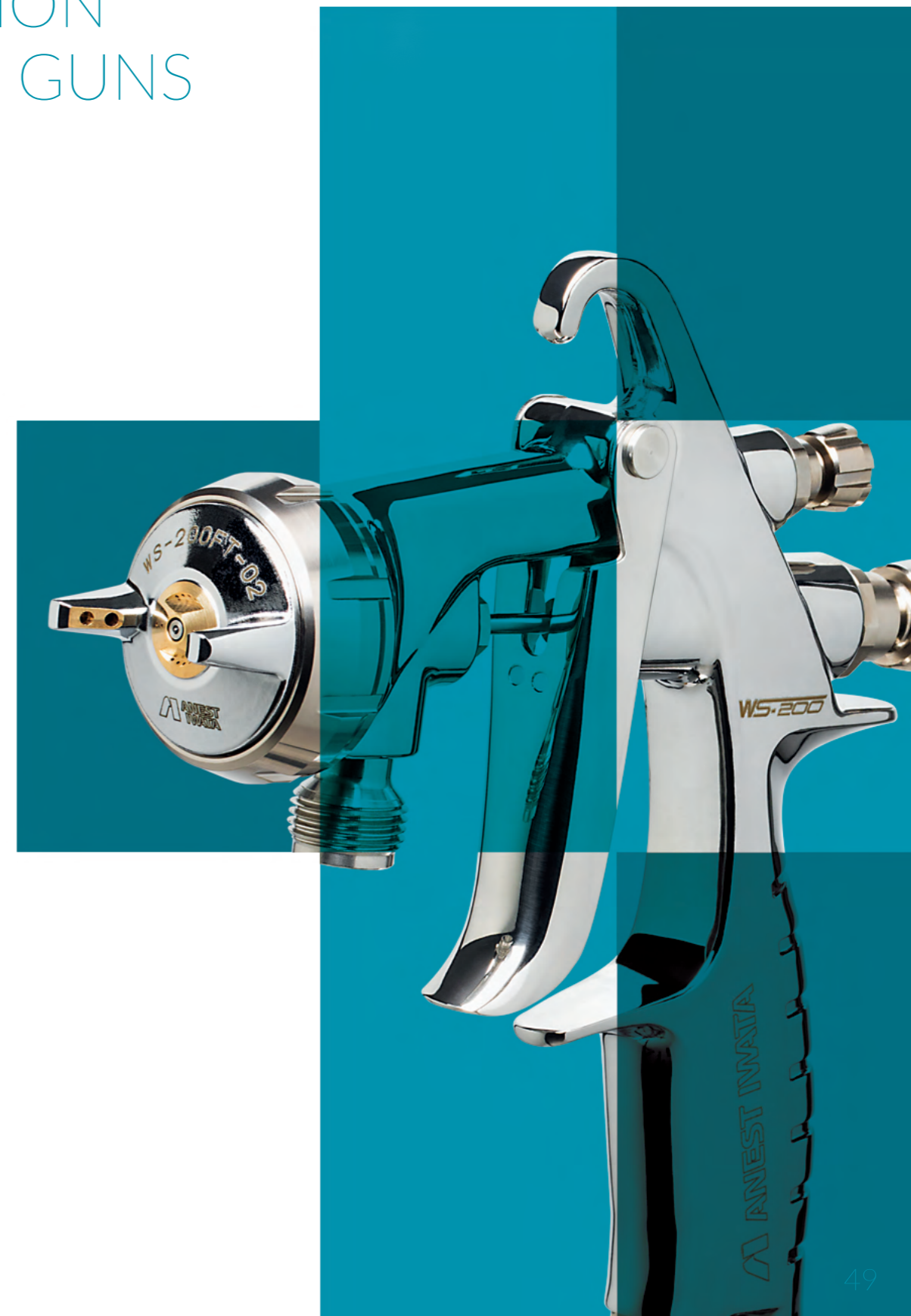
	N3	N5
NEO HP-CN	N 4500	-
NEO HP-BCN	-	N 2000

### ORDER INFORMATION

Detail Thickness: N3= Fine/ Medium detail / N5= Medium/ Wide detail

# 2

## PRESSION SPRAY GUNS





# COMMERCIAL VEHICLE

## PRESSURE SPRAY GUN SERIES

With WS-200 series, ANEST IWATA is launching a completely new generation of pressure spray guns. This series redefined the expectations of the most demanding users in the most diverse application fields. Every single aspect of WS-200 pressure spray guns has been redesigned. The result is now the market launch of the best pressure spray guns ever made. Available in two different versions: • WS-200SP: with newest generation of Pre Atomization Technology (Split nozzle) • WS-200FT: with traditional Flat Tip Nozzle (Round nozzle) delivering high quality results.

## WS-200 SP PREMIUM QUALITY

TECHNICAL DATA	Ø mm	No.	bar	mL/min	NL/min	mm
WS-200 SP Pressure Spray Gun with Split Nozzle - Air Nipple: G1/4" • Fluid Nipple: fixed G3/8"						
WS-200SP-0801	0.8	WS-200SP-01	2.5	200	435	210
WS-200SP-1001	1.0					230
WS-200SP-1201	1.2					240
WS-200SP-1401	1.4					240
WS-200SP-1601	1.6					255
WS-200SP-1801	1.8					265



**WS-200**  
SPLIT NOZZLE™  
PRE-ATOMIZATION TECHNOLOGY



### ORDER INFORMATION

	Ø 0,8	Ø 1,0	Ø 1,2	Ø 1,4	Ø 1,6	Ø 1,8
WS-200 SP SPRAY GUN	13000120	13000130	13000140	13000680	13000690	13000700
AIR CAP SET (WS-200 SP-01)	93001300					
FLUID NOZZLE + FLUID NEEDLE SET	93007240	93007490	93007550	93007620	93007650	93007660

## WS-200 FT PREMIUM QUALITY

TECHNICAL DATA	Ø mm	No.	bar	mL/min	NL/min	mm
WS-200 FT Pressure Spray Gun with Flat Tip Nozzle - Air Nipple: G1/4" • Fluid Nipple (fixed): G3/8"						
WS-200FT-0801	0.8	WS-200FT-01	2.5	200	380	240
WS-200FT-1001	1.0					210
WS-200FT-1201	1.2					210
WS-200FT-1401	1.4					240
WS-200FT-1601	1.6					240
WS-200FT-1801	1.8					240
WS-200FT-0802	0.8	WS-200FT-02	3.0	200	475	215
WS-200FT-1002	1.0					250
WS-200FT-1202	1.2					255
WS-200FT-1402	1.4					255
WS-200FT-1601	1.6					270
WS-200FT-1802	1.8					285



**CARTON BOX**  
WS-200 SP or WS-200 FT  
Spray Gun  
Universal Spanner  
Cleaning Brushes



FLAT TIP NOZZLE



### ORDER INFORMATION

	Ø 0,8	Ø 1,0	Ø 1,2	Ø 1,4	Ø 1,6	Ø 1,8
WS-200FT-01 SPRAY GUN	13000150	13000160	13000170	13000600	13000610	13000620
WS-200FT-02 SPRAY GUN	13000180	13000190	13000200	13000630	13000640	13000650
AIR CAP SET (WS-20FT-01)	93002070					
AIR CAP SET (WS-20FT-02)	93002190					
FLUID NOZZLE + FLUID NEEDLE SET	93002180	93002150	93002130	93003420	93003480	93003500

# APPLICATION



WS-200 SP - WS-200 ST

### FEATURES

Perfect surfaces thanks to the Split Nozzle™ technology

Specific for blending, for example for side walls, bumper and smaller areas

Barely visible transitions thanks to the soft and fine spray pattern

Very fine atomization with low air consumption (190 l/min)

Extremely low material consumption

Low background noise

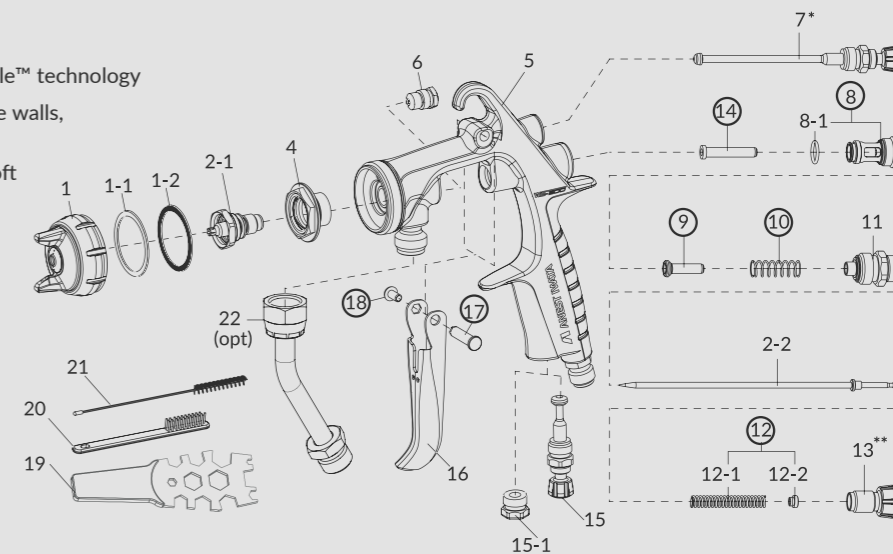
320 g: one of the most lightweight Smart Repair spray guns on the market

Simple operation of the control knobs, for right and left handers

Conical seal nozzle, minimum wear parts

Clearer design, easy maintenance

Quality surface for easy cleaning



**1-1 Air Cap Packing White:**  
Seals air cap to tightening nut

**1-2 Air Cap Packing Transparent:**  
Seals air cap to gun body (transparent seal must be visible from the inside of the air cap)

**TIPP:**  
change always both air cap packings as a couple

**13.1 Lock Fluid Adjustment\***

**7.1 Quick Fan Pattern Control\***

**7.2 Push Pull Pattern Adjustment Set\***

**7.3 Lock Pattern Adjustment\***

**19.1 SPANNER**  
for Lock Pattern Adjustment and Lock Fluid Adjustment

### SPARE PARTS

REF.	CODE	DESCRIPTION
1	see left	AIR CAP SET WS-200SP-01
1	see left	AIR CAP SET WS-200FT-01 and WS-200FT-02
1-1	93505330	AIR CAP PACKING (WHITE)
1-2	93001330	AIR CAP PACKING (TRANSPARENT)
2-1 + 2-2	see left	FLUID NOZZLE + NEEDLE SET WS-200SP
2-1 + 2-2	see left	FLUID NOZZLE + NEEDLE SET WS-200FT
2-2	93001380	SPECIAL NEEDLE with TIP in DELRIN Ø 0.8; 1.0; 1.2
2-2	93005700	SPECIAL NEEDLE with TIP in DELRIN Ø 1.4; 1.6; 1.8
4	93007750	BAFFLE RING SET (BAFFLE RING + PACKING)
6	03810620	NEEDLE PACKING SET
7	93001561	PATTERN ADJUSTMENT
7-1	93003300	QUICK PATTERN ADJUSTMENT (opt.)*
7-2	93003270	PUSH PATTERN ADJUSTMENT (opt.)*
7-3	93003240	LOCK PATTERN ADJUSTMENT (opt.)*
8	93001640	AIR VALVE SEAT SET
8-1	93001680	O RING
9	93001690	AIR VALVE
10	93001700	AIR VALVE SPRING
11	93001710	FLUID ADJUSTMENT GUIDE SET
12	93002820	NEEDLE SPRING SET
12-1	93593530	NEEDLE SPRING
12-2	93001760	NEEDLE SPRING PACKING
13	93001780	FLUID ADJUSTMENT KNOB
13-1	93003200	LOCK FLUID ADJUSTMENT (opt.)**
14	93001790	AIR VALVE SHAFT
15	93001801	AIR ADJUSTMENT SET
15-1	93625371	PLUG
16	93001820	TRIGGER SET
17	93001870	TRIGGER STUD

REF.	CODE	DESCRIPTION
18	93001960	HEX. SOCKET BUTTON BOLT
19	930171A0	UNIVERSAL SPANNER
19-1	93003340	SPANNER for LOCK PATTERN ADJUSTMENT and for LOCK FLUID ADJUSTMENT
20	W2COM6163	BRUSHES (5 pcs.)
○	93005690	REPAIRING KIT WS-200 includes: Needle packing set ref. 6; Air valve seat set ref.8; Air valve ref.9; Air valve spring ref.10; Fluid adj. guide set ref.11; Needle spring ref. 12; Air valve shaft ref.14; Trigger stud ref.17; Hex. socket button bolt ref.18
21	W2COM6162	TWISTED BRUSHES Ø10 mm (5 pcs.)
22	W2COM5052	FLUID TUBE 3/8" Stainless Steel (opt.)
23	93001540	AIR NIPPLE G1/4"

### ACCESSORIES

REF.	CODE	DESCRIPTION
	PJQ-03P	QUICK JOINT NIPPLE 3/8" IG
	PJQ-03S	QUICK JOINT 3/8" AG
	14375800	"L" ROTATING AIR HOSE JOINT
	001004050	TWIN HOSE (Air & Fluid) 1/4"-1/4" mt. 5
	001004075	TWIN HOSE (Air & Fluid) 1/4"-1/4" mt. 7,5
	001004100	TWIN HOSE (Air & Fluid) 1/4"-1/4" mt. 10



# COMMERCIAL VEHICLE

## W-200 INTEGRA PRESSURE SERIES

The **W-200 INTEGRA** is the sophisticated successor of Anest Iwata's previous W-200 lineup. While they look almost the same almost all of the internals have been redesigned and improved. This makes the new W-200 INTEGRA your perfect companion for challenging jobs in the Industrial paint application. The **W-200 INTEGRA SP** utilizing the unique Anest Iwata **SPLIT NOZZLE** Technology can easily be recognized by its **BLUE** Air Cap Ring. While the models **W-200 INTEGRA FT** with traditional Flat tips (FT versions) come with **SILVER** Air Cap Ring.

## W-200 INTEGRA SP HIGH QUALITY

TECHNICAL DATA	Ø mm	No.	bar	m <sup>3</sup> /min	N <sub>2</sub> /min	mm
<b>W-200 INTEGRA SP - Pressure Spray Gun</b> - Air Nipple: G1/4" • Fluid Nipple: G3/8"						
W-200SP-08WB1P	0.8	WB1	2.0 ~ 2.5	200	425 ~ 531	360
W-200SP-10WB1P	1.0			250		380
W-200SP-12WB1P	1.2			300		390
W-200SP-14WB1P	1.4			350		310
W-200SP-08WBSP	0.8	WBS	2.0 ~ 2.5	200	463 ~ 578	320
W-200SP-10WBSP	1.0			250		330
W-200SP-12WBSP	1.2			300		340
W-200SP-14WBSP	1.4			350		

SPRAY DISTANCE: 150 ~ 300 mm



### ORDER INFORMATION

	Ø 0.8	Ø 1.0	Ø 1.2	Ø 1.4
W-200 INTEGRA SPRAY GUN - WB1	130451A0	130452A0	130453A0	130454A0
W-200 INTEGRA SPRAY GUN - WBS	130455A0	130456A0	130457A0	130458A0
AIR CAP SET - WB1	93017310			
AIR CAP SET - WBS	93017430			
FLUID NOZZLE + FLUID NEEDLE SET	93012030	93012020	93012010	93017330

**W-200 INTEGRA SPLIT NOZZLE™**  
PRE-ATOMIZATION TECHNOLOGY



## W-200 INTEGRA FT HIGH QUALITY

TECHNICAL DATA	Ø mm	No.	bar	m <sup>3</sup> /min	N <sub>2</sub> /min	mm
<b>W-200 INTEGRA FT - Pressure Spray Gun</b> - Air Nipple: G1/4" • Fluid Nipple: G3/8"						
W-200FT-08LV2P	0.8	LV2	2.0 ~ 2.5	70	240 ~ 300	140
W-200FT-10LV2P	1.0			110		170
W-200FT-12LV2P	1.2			150		220
W-200FT-15LV2P	1.5			250		270
W-200FT-16LV2P	1.6	G2P	3.0 ~ 3.5	300	500 ~ 583	280
W-200FT-18LV2P	1.8			400		290
W-200FT-08G2P	0.8	G2P	3.0 ~ 3.5	500	500 ~ 583	400
W-200FT-10G2P	1.0					
W-200FT-12G2P	1.2					

SPRAY DISTANCE: 150 ~ 300 mm



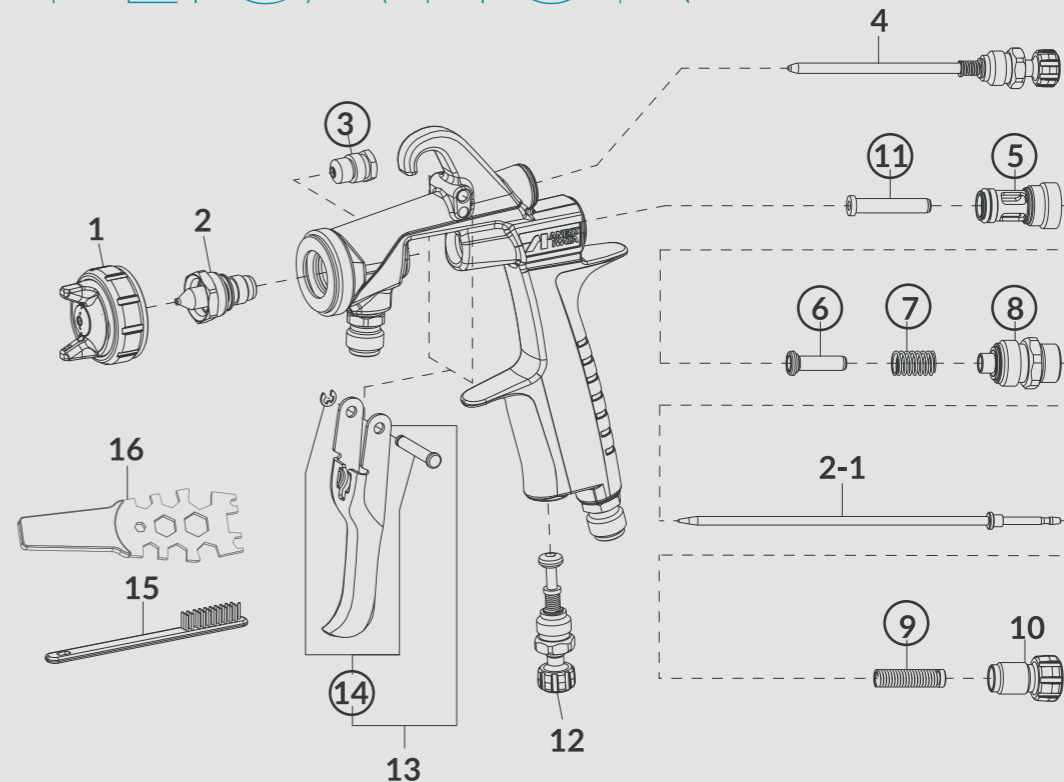
### ORDER INFORMATION

	Ø 0.8	Ø 1.0	Ø 1.2	Ø 1.5	Ø 1.6	Ø 1.8
W-200 INTEGRA SPRAY GUN - LV2	130459A0	130460A0	130461A0	130463A0	130506A0	130507A0
W-200 INTEGRA SPRAY GUN - G2P	130464A0	130465A0	130466A0	----	----	----
AIR CAP SET - LV2	93017360					
AIR CAP SET - G2P	93011670					
FLUID NOZZLE + FLUID NEEDLE SET	93017270	93017280	93011570	93011680	93018270	93011730

**FLAT TIP NOZZLE**



# APPLICATION



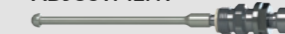
### CARTON BOX

W-200 INTEGRA Pressure Spray Gun  
Cleaning Brushes  
Universal Spanner



### OPTIONS & ACCESSORIES:

LOCK PATTERN ADJUSTMENT



LOCK FLUID ADJUSTMENT



QUICK FAN PATTERN ADJUSTMENT



SPANNER for Lock Fluid Adjustment & Lock Pattern Adjustment



PUSH-PULL PATTERN ADJUSTMENT SET



"L" ROTATING AIR HOSE JOINT



FLUID TUBE 3/8" in Stainless Steel



### SPARE PARTS

REF.	CODE	DESCRIPTION
1	see left	AIR CAP SET (WB1 - WBS1)
1	see left	AIR CAP SET (LV2)
1	see left	AIR CAP SET (G2P)
1-1	93017700	CAP COVER PACKING SET
1-2	93011560	AIR CAP RING Silver
1-2	93016870	AIR CAP RING Blue
2 + 2-1	see left	FLUID NOZZLE + NEEDLE SET (W-200SP)
2 + 2-1	see left	FLUID NOZZLE + NEEDLE SET (W-200FT)
3	03810620	NEEDLE PACKING SET
4	93011630	PATTERN ADJUSTMENT
5	93001640	AIR VALVE SEAT SET
6	93001690	AIR VALVE
7	93001700	AIR VALVE SPRING
8	93012630	FLUID ADJUSTMENT GUIDE SET
9	93002820	NEEDLE SPRING SET
10	93012650	FLUID ADJUSTMENT KNOB
11	93001790	AIR VALVE SHAFT
12	93012660	AIR ADJUSTMENT SET
13	93014500	TRIGGER SET
14	93013810	TRIGGER STUD

### OPTIONS & ACCESSORIES

CODE	DESCRIPTION	REF.
W2COM6163	BRUSHES (5 PCS/1PK)	15
930171A0	UNIVERSAL SPANNER	16
930356A0	REPAIRING KIT includes: needle packing set (3), air valve seat set (5), air valve (6), air valve spring (7), fluid adj. guide set (8), needle spring set (9), air valve shaft (11), trigger stud set (14).	
14375800	"L" ROTATING AIR HOSE JOINT	
W-200-X1	QUICK FAN PATTERN ADJUSTMENT	
93895611	PUSH-PULL PATTERN ADJUSTMENT SET	
93605600	LOCK FLUID ADJUSTMENT	
03841601	LOCK PATTERN ADJUSTMENT	
93280082	SPANNER for Lock Fluid Adj. & Lock Pattern Adj.	
W2COM5052	FLUID TUBE 3/8" Stainless Steel	
001004050	TWIN HOSE (Air and Fluid) 1/4"-1/4" - 5 m	
001004075	TWIN HOSE (Air and Fluid) 1/4"-1/4" - 7.5 m	
001004100	TWIN HOSE (Air and Fluid) 1/4"-1/4" - 10 m	

W-200 INTEGRA - PRESSURE





# COMMERCIAL VEHICLE

## W-200 INTEGRA SUCTION SERIES

### W-200 INTEGRA SP HIGH QUALITY

TECHNICAL DATA	Ø mm	No.	bar	m <sup>3</sup> /min	N <sup>3</sup> /min	mm
<b>W-200 INTEGRA SP - Suction Spray Gun</b> - Air Nipple: G1/4" • Fluid Nipple: G3/8"						
W-200SP-16WB2S	1.6	WB2	2.0 ~ 2.5	170	480 ~ 538	315
W-200SP-18WB2S	1.8			200		330

SPRAY DISTANCE: 150 ~ 300 mm

**W-200 INTEGRA**

**SPLIT NOZZLE™**  
PRE-ATOMIZATION  
TECHNOLOGY



#### ORDER INFORMATION

	Ø 1.6	Ø 1.8
W-200 INTEGRA - Spray Gun Only	130471A0	130472A0
W-200 INTEGRA - With PCL-10B3 Cup	130478A0	130479A0
W-200 INTEGRA - With PC-12 Cup	130485A0	130486A0
AIR CAP SET - WB2	93017460	
FLUID NOZZLE + FLUID NEEDLE SET	93017480	93017490



### W-200 INTEGRA FT HIGH QUALITY

TECHNICAL DATA	Ø mm	No.	bar	m <sup>3</sup> /min	N <sup>3</sup> /min	mm
<b>W-200 INTEGRA FT - Suction Spray Gun</b> - Air Nipple: G1/4" • Fluid Nipple: G3/8"						
W-200FT-14S	1.4	LV2	2.0 ~ 2.5	240	240 ~ 300	260
W-200FT-15S	1.5	K2		290	220 ~ 275	290
W-200FT-18S	1.8			290	340	
W-200FT-20S	2.0	R2		350	240 ~ 300	290
W-200FT-25S	2.5	W1		440	280	

SPRAY DISTANCE: 150 ~ 300 mm

**W-200 INTEGRA**

**FLAT TIP NOZZLE**



#### ORDER INFORMATION

	Ø 1.4	Ø 1.5	Ø 1.8	Ø 2.0	Ø 2.5
W-200 INTEGRA - Spray Gun Only	130473A0	130474A0	130475A0	130476A0	130477A0
W-200 INTEGRA - With PCL-10B3 Cup	130480A0	130481A0	130482A0	130483A0	130484A0
W-200 INTEGRA - With PC-12 Cup	130487A0	130488A0	130489A0	130490A0	130491A0
AIR CAP SET	LV2	K2		R2	W1
	93017360	93011710		93011790	93011820
FLUID NOZZLE + FLUID NEEDLE SET	93017370	93011680	93011730	93011740	93011810



# APPLICATION



W-200 INTEGRA - SUCTION

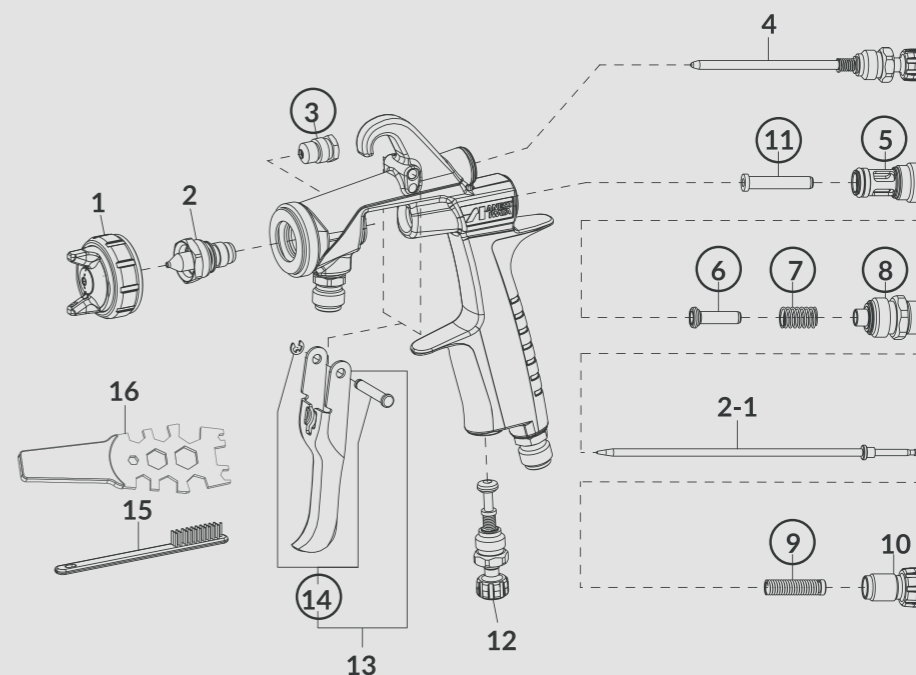
### PCL-10B3

Suction Container 1lt.



### PC-12

Suction Container 1lt.



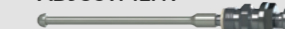
### CARTON BOX

W-200 INTEGRA Suction Spray Gun  
Cleaning Brushes  
Universal Spanner  
Suction Cup

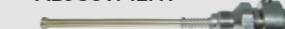


#### OPTIONS & ACCESSORIES:

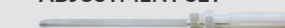
LOCK PATTERN ADJUSTMENT



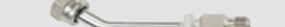
QUICK FAN PATTERN ADJUSTMENT



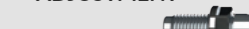
PUSH-PULL PATTERN ADJUSTMENT SET



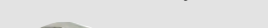
FLUID TUBE 3/8" in Stainless Steel



LOCK FLUID ADJUSTMENT



SPANNER for Lock Fluid Adjustment & Lock Pattern Adjustment



"L" ROTATING AIR HOSE JOINT



### SPARE PARTS

REF.	CODE	DESCRIPTION
1	see left	AIR CAP SET (WB2)
1	see left	AIR CAP SET (LV2 - K2 - R2 - W1)
1-1	93017700	CAP COVER PACKING SET
1-2	93011560	AIR CAP RING Silver
1-2	93016870	AIR CAP RING Blue
2 + 2-1	see left	FLUID NOZZLE + NEEDLE SET (W-200SP)
2 + 2-1	see left	FLUID NOZZLE + NEEDLE SET (W-200FT)
3	03810620	NEEDLE PACKING SET
4	93011630	PATTERN ADJUSTMENT
5	93001640	AIR VALVE SEAT SET
6	93001690	AIR VALVE
7	93001700	AIR VALVE SPRING
8	93012630	FLUID ADJUSTMENT GUIDE SET
9	93002820	NEEDLE SPRING SET
10	93012650	FLUID ADJUSTMENT KNOB
11	93001790	AIR VALVE SHAFT
12	93012660	AIR ADJUSTMENT SET
13	93014500	TRIGGER SET
14	93013810	TRIGGER STUD

### OPTIONS & ACCESSORIES

CODE	DESCRIPTION	REF.
W2COM6163	BRUSHES (5 PCS/1PK)	15
930171A0	UNIVERSAL SPANNER	16
14018621	PCL-10 B3 LEVER LOCK SUCTION CUP 1 lt.	
14018200	PC 12 SUCTION CUP 1 lt.	
930356A0	REPAIRING KIT includes: needle packing set (3), air valve seat set (5), air valve (6), air valve spring (7), fluid adj. guide set (8), needle spring set (9), air valve shaft (11), trigger stud set (14).	
14375800	"L" ROTATING AIR HOSE JOINT	
W-200-X1	QUICK FAN PATTERN CONTROL	
93895611	PUSH-PULL PATTERN ADJ. SET	
93605600	LOCK FLUID ADJUSTMENT	
03841601	LOCK PATTERN ADJUSTMENT	
93280082	SPANNER for Lock Fluid Adj. & Lock Pattern Adj.	
W2COM5052	FLUID TUBE 3/8" Stainless Steel	
001004050	TWIN HOSE (Air and Fluid) 1/4"-1/4" - 5 m	
001004075	TWIN HOSE (Air and Fluid) 1/4"-1/4" - 7.5 m	
001004100	TWIN HOSE (Air and Fluid) 1/4"-1/4" - 10 m	



## W-400 Classic Plus

### HIGH QUALITY

#### FEATURES

- Universal spray gun for industrial coating
- VOC-compliant professional spray gun (more than 65% transfer efficiency)
- Large and uniformly shaped wet core, even with high viscosity materials
- 280 NI/min air consumption; also suitable for small compressors capacity
- Low background noise
- 380 g; one of the most lightweight spray guns on the market
- Conical seal nozzle, minimum wear parts
- Quality surface for easy cleaning
- Clearer design, easy maintenance

TECHNICAL DATA	Ø mm	No.	bar	m <sup>3</sup> /min	Nl/min	mm
W-400-082G	0.8	LV2	2.0	60	280	80
W-400-102G	1.0			95		150
W-400-122G	1.2			100		175
W-400-132G	1.3			160		225
W-400-142G	1.4			210		255
W-400-162G	1.6	LV1	3.0	240	290	270
W-400-182G	1.8			320		260
W-400-202G	2.0			460		320
W-400-251G	2.5	W1		360		340

• Air nipple: G1/4" • Fluid nipple: M16 x 1.5 mm



Classic plus



## ORDER INFORMATION

	Ø 0,8	Ø 1,0	Ø 1,2
W-400 - PRO KIT	13241401P	13241402P	13241403P
AIR CAP SET (LV2)	93830610B		
FLUID NOZZLE + FLUID NEEDLE SET	93889610	93880610	93823610

	Ø 1,3	Ø 1,4	Ø 1,6
W-400 - PRO KIT	13241404P	13241405P	13241406P
AIR CAP SET (LV2)	93830610B		
FLUID NOZZLE + FLUID NEEDLE SET	93881610	-	93832610
FLUID NOZZLE + FLUID NEEDLE SET	-	93831610	-

	Ø 1,8	Ø 2,0	Ø 2,5
W-400 - PRO KIT	13241407P	13241408P	13241409P
AIR CAP SET	LV1 93859611	R2 93814610B	W11 93813610B
FLUID NOZZLE + FLUID NEEDLE SET	93821610	93820610	93819610

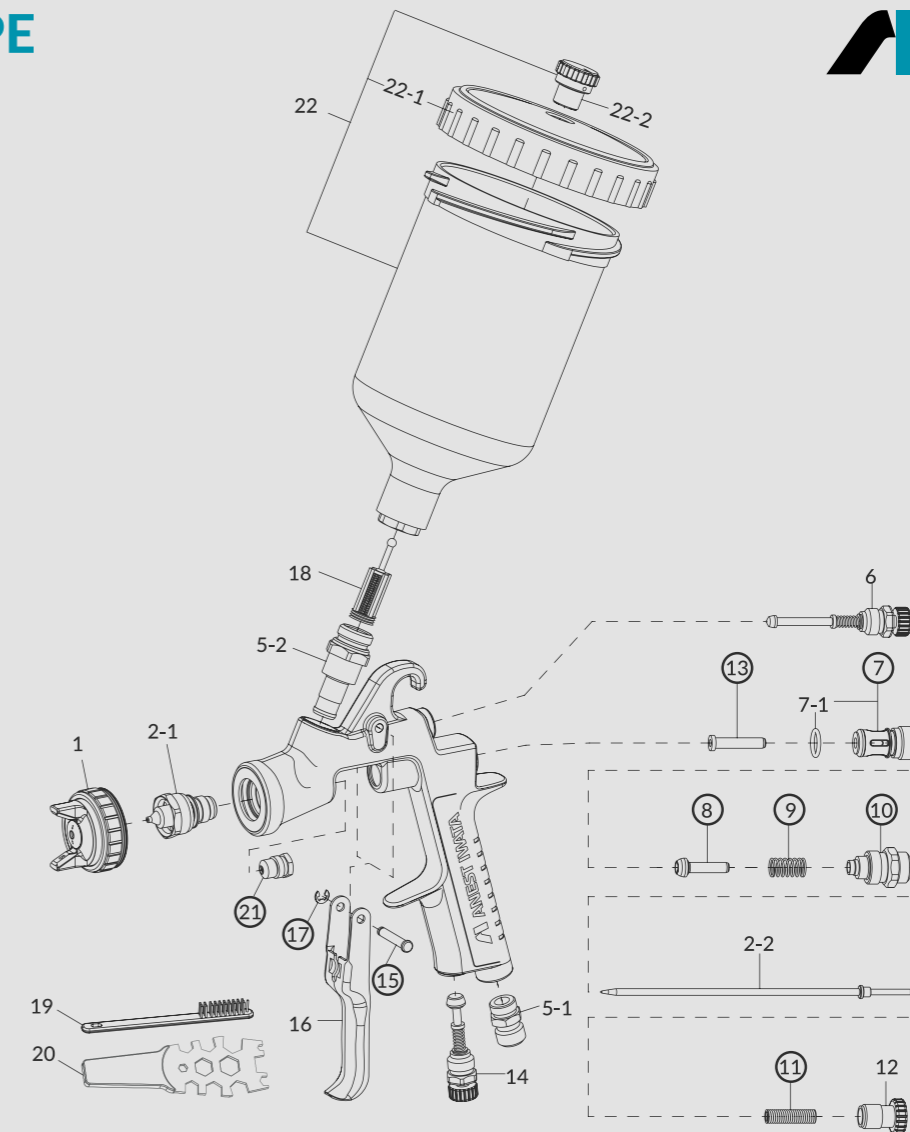


#### CARTON BOX

- W-400 Classic Plus Spray Gun
- PCG 6 PE CUP - 600 ml
- Cleaning Brushes
- Universal Spanner

### PGC-6-PE

GRAVITY  
CUP  
600 ml



## SPARE PARTS

REF.	CODE	DESCRIPTION	QTY.
1		AIR CAP SET	
2-1+ 2-2		FLUID NOZZLE + NEEDLE SET	Ø 0.8/1.0/1.2/1.3/1.6
2-1+ 2-2		FLUID NOZZLE + NEEDLE SET	Ø 1.4
2-1+ 2-2		FLUID NOZZLE + NEEDLE SET	Ø 1.8/2.0/2.5
5-1	03660300	AIR NIPPLE	
5-2	93650531	FLUID NIPPLE	
6	93842601	PATTERN ADJ. SET	
7	03843530	AIR VALVE SEAT SET	
7-1	06638008	'O'RING	
8	03591530	AIR VALVE	
9	03719530	AIR VALVE SPRING	
10	93844532	FLUID ADJ. GUIDE SET	
11	03593530	FLUID NEEDLE SPRING	
12	93594532	FLUID ADJ. KNOB	
13	93935430	AIR VALVE SHAFT	
14	93845531	AIR ADJ. SET	
15	03667360	TRIGGER STUD	
16	03517600	TRIGGER	
17	03912030	E STOPPER	(2 pcs./1 pk.)
18	03515500	FILTER 60 Mesh (250µ) Red	
21	03810620	NEEDLE PACKING SET	
19	W2COM6163	BRUSHES	(5 pcs./1 pk.)
20	930171A0	UNIVERSAL SPANNER	

REF.	CODE	DESCRIPTION
22	14011001	PCG-6-PE GRAVITY CUP 600 ml
22-1	04002300	LID
22-2	04003320	NON DRIP

## ACCESSORIES

CODE	DESCRIPTION
03708240	AIR CAP PACKING (WHITE)
03512600	AIR CAP "L" PACKING (BLACK)
W2KIT55UK	CLEANING KIT
W2COM6190	REPAIRING KIT 2 (includes: air valve seat set, air valve, air valve spring, fluid needle spring, fluid adj. guide set, air valve shaft, trigger stud, e stopper, needle packing cartridge).





## AZ3 HTE 2

### STANDARD QUALITY

#### FEATURES

- Robust work spray gun for with high-viscosity materials
- Trigger easy to dose
- Simple operation of the control knobs, for right and left handers
- Cost of spare parts replacement extremely customer friendly

#### HTE HIGH TRANSFER EFFICIENCY

TECHNICAL DATA	Ø mm	No.	bar	m <sup>3</sup> /min	N <sup>2</sup> /min	mm
AZ3 HTE 2	1.0	10-15 HTE	2.0	80	200	180
	1.3			140		240
	1.5			160		260
	1.8	18-20 HTE	3.0	250	215	300
	2.0			300		340
	2.5			450		360
	2.8	28-30 HTE	3.0	540	300	380
	3.0			560		400
	3.5			600		420

• Air nipple: G1/4" • Fluid nipple: G1/4"



#### SPECIAL WRENCH ACCESSORIES

#### CARTON BOX

AZ3 HTE 2 Spray Gun  
PCG-6P-2B AZ CUP - 600 ml

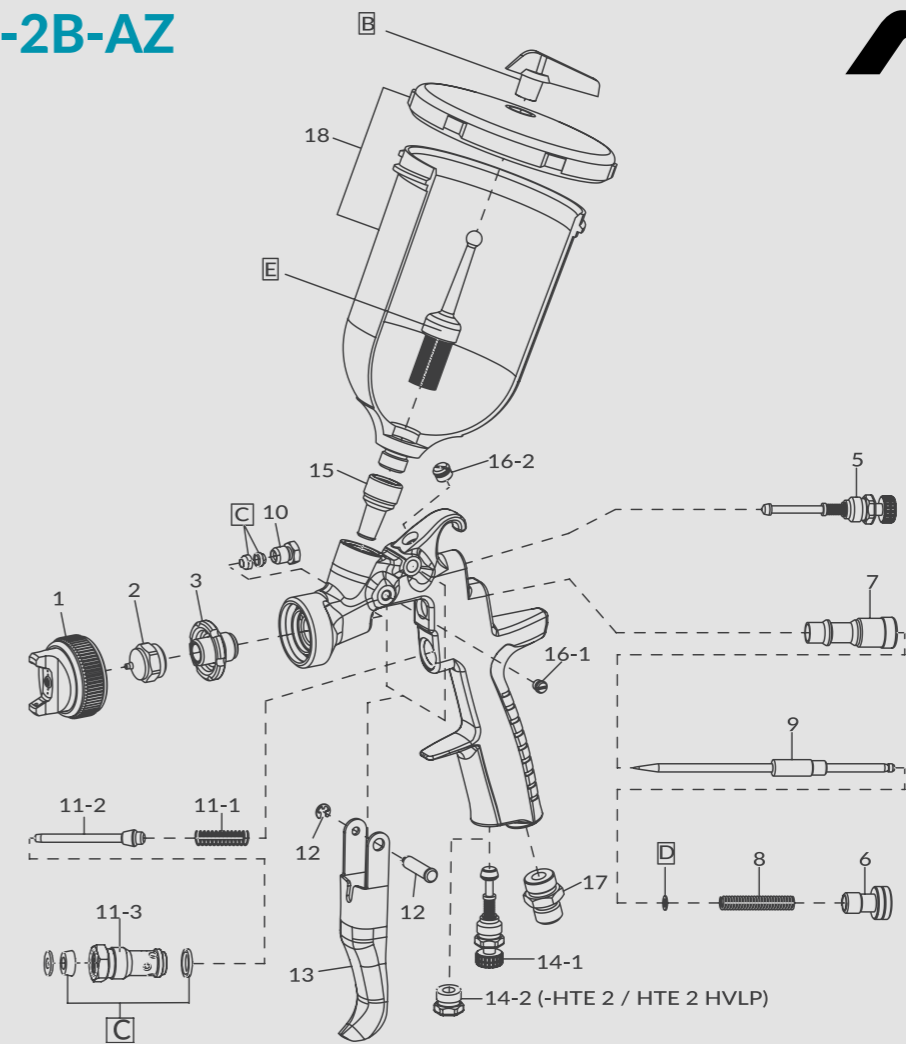


### ORDER INFORMATION

	Ø 1,0	Ø 1,3	Ø 1,5
AZ3 HTE 2 with 600 ml CUP	W0SPG81AG10C	W0SPG81AG13C	W0SPG81AG15C
AIR CAP SET	W2CAP80AG15		
FLUID NOZZLE + FLUID NEEDLE SET	W2010133500	W2010133600	W2010133700
	Ø 1,8	Ø 2,0	Ø 2,5
AZ3 HTE 2 with 600 ml CUP	W0SPG81AG18C	W0SPG81AG20C	W0SPG81AG25C
AIR CAP SET	W2CAP80AG18		
FLUID NOZZLE + FLUID NEEDLE SET	W2010133800	W2010133900	W2010134000
	Ø 2,8	Ø 3,0	Ø 3,5
AZ3 HTE 2 with 600 ml CUP	W0SPG81AG28C	W0SPG81AG30C	W0SPG81AG35C
AIR CAP SET	W2CAP80AG30		
FLUID NOZZLE + FLUID NEEDLE SET	W2010134300	W2010134100	W2010134200

### PCG-6P-2B-AZ

GRAVITY  
CUP  
600 ml



### SPARE PARTS

REF.	CODE	DESCRIPTION	QTY.
1		AIR CAP SET	
2+9		FLUID NOZZLE + FLUID NEEDLE SET	Ø 1.0/1.3/1.5
2+9		FLUID NOZZLE + FLUID NEEDLE SET	Ø 1.8/2.0/2.5 2.8/3.0/3.5
3	W2010140200	NOZZLE HOLDER	
5	93842601	PATTERN ADJ. SET	
6	W2010141000	FLUID NEEDLE ADJ. KNOB	
7	W2010140900	FLUID NEEDLE GUIDE	
8	W2010140800	FLUID NEEDLE SPRING	
10	W2010140600	FLUID NEEDLE PACKING NUT	
11	W2010120100	AIR VALVE SET	
11-1	W2010141700	AIR VALVE SPRING	
11-2	W2010130600	AIR VALVE	
11-3	W2010130500	AIR VALVE SEAT	
12	W2COM4001	TRIGGER STUD	
13	W2COM6051	TRIGGER	
14-1	93845531	AIR ADJ. SET	
14-2	93625370	PLUG	
15	W2013040100	THREADED BUSHING	
16-1	W2COM5004	SCREW	
16-2	W2COM6050	PLUG	
17	W2COM5000	AIR NIPPLE	
C	W2KIT56	PACKING SET	(3 pcs./1 pk.)
D	W2KIT33	SLIDE RING SET	(10 pcs./1 pk.)

REF.	CODE	DESCRIPTION
18	W0012820100	PCG-6P-2B-AZ GRAVITY CUP 600 ml
B	W2KIT07	NON DRIP SET (5 pcs./1 pk.)
E	W2KIT06	NON DRIP

### ACCESSORIES

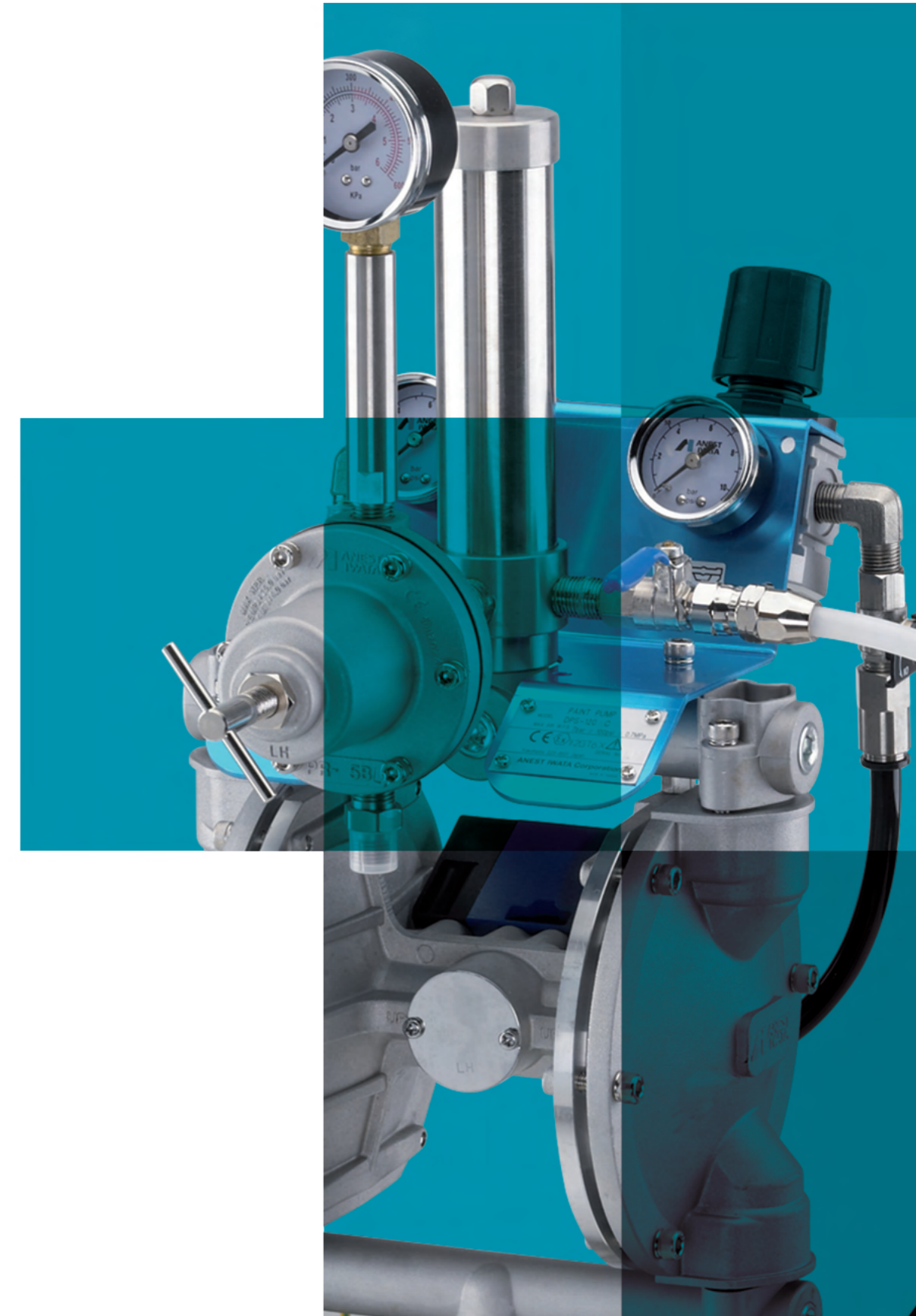
CODE	DESCRIPTION
W2KIT55UK	CLEANING KIT
VPACAZ3H2	BLACK PLASTIC CASE (for 1 SPRAY GUN and 1 CUP)
W2503500100	SPECIAL WRENCH



# 3

## PAINT SUPPLY SYSTEM

## LOW PRESSURE EQUIPMENTS





## DPS-120 & DPS-90 PUMP UNITS

### FEATURES

Double Diaphragm paint pumps come in a compact and stylish designs. They are the perfect choice for the delivery of fluid media (solvent and water-based paints) to the supply of manual and automatic spray guns.

Fully pneumatic pump control with Double Spool air circuit. The reliable pump motor combined with the Double Spool air circuit promises an excellent finish. (Air pressure circuit conform to safety standard UNI EN 12621).

The pneumatic control system prevents the forced stoppage of the pump. Dead storage material channels and easily collapsible pump structure facilitate cleaning, inspection and maintenance.

Wear-resistant pump assembly.

Available also with a 2-way connection (Aluminium & Stainless Steel models).

TECHNICAL DATA		
Models	DPS-90	DPS-120
Ratio	1:1	
Max. Working Pressure	7 bar (100 psi)	
Fluid Output at 30 cyc/min.	1.5 lt./min	4.5 lt./min
Fluid Output at 200 cyc/min. max	10 lt./min	30 lt./min
Paint Viscosity	85 sec/Ford#4	
Working Temperature	5~40 °C	
Paint outlet filter	100 mesh	
Suction paint filter	50 mesh	

### PAINT PRESSURE REGULATORS



PR-5BL	PR-5BL-WB	PR-5BLN
14608200 for Aluminium Version	14608220 for Aluminium Anodized Version	14068210 for Stainless Steel Version

### CONFIGURATIONS

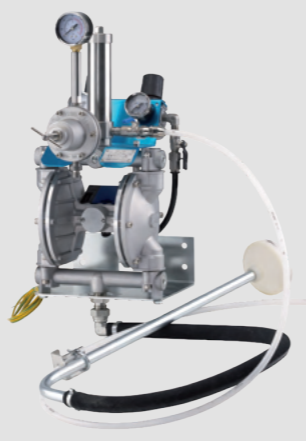
PUMP BODY  
DDP-90F.TE  
up to 10 l/min



PUMP BODY  
DDP-120B.TE  
up to 30 l/min



On Stand	On TANK Mount	On Stand	On Cart	On Cart + Hopper 6lt.
DPS-90 - 2G.TE DPS-120 - 2C.TE	DPS 90 - 4G.TE DPS 120 - 4C.TE	DPS 90 - 1G.TE DPS 120 - 1C.TE	DPS 90 - 3G.TE DPS 120 - 3C.TE	DPS 90 - 36G.TE DPS 120 - 36C.TE

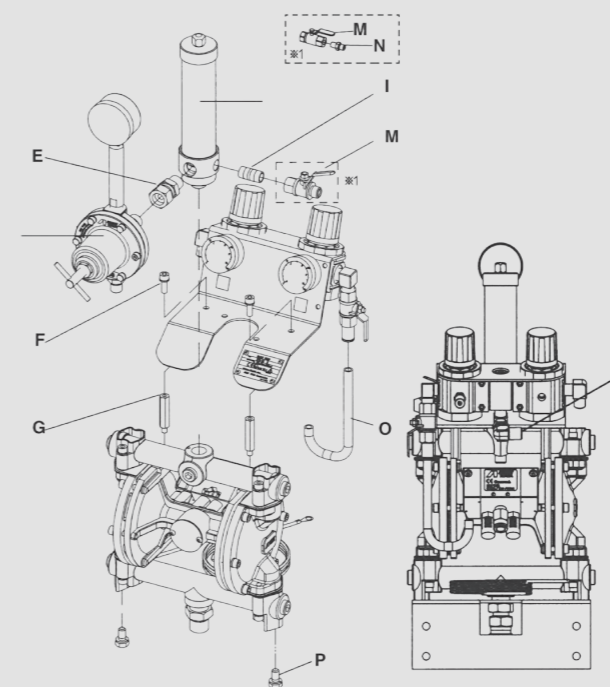


### ORDER INFORMATION

Versions 90

Versions 120

<b>ALUMINIUM</b> DDP-90F.TE (14068660) <b>ALUMINIUM ANODIZED</b> DDP-90F-WB.TE (14068680) <b>STAINLESS STEEL</b> DDP-90FN.TE (14068670)	<b>ALUMINIUM</b> DPS-902G.TE (14069080) <b>ALUMINIUM ANODIZED</b> DPS-902G-WB.TE (14069100) <b>STAINLESS STEEL</b> DPS-902GN.TE (14069090)	<b>ALUMINIUM</b> DPS-904G.TE (14069240) <b>ALUMINIUM ANODIZED</b> DPS-904G-WB.TE (14069260) <b>STAINLESS STEEL</b> DPS-903GN.TE (14069250)	<b>ALUMINIUM</b> DPS-901G.TE (14069000) <b>ALUMINIUM ANODIZED</b> DPS-901G-WB.TE (14069020) <b>STAINLESS STEEL</b> DPS-901GN.TE (14069010)	<b>ALUMINIUM</b> DPS-903G.TE (14069160) <b>ALUMINIUM ANODIZED</b> DPS-903G-WB.TE (14069180) <b>STAINLESS STEEL</b> DPS-903GN.TE (14069170)	<b>ALUMINIUM</b> DPS-9036G.TE (14069320) <b>ALUMINIUM ANODIZED</b> DPS-9036G-WB.TE (14069340) <b>STAINLESS STEEL</b> DPS-9036GN.TE (14069330)
<b>ALUMINIUM</b> DDP-120B.TE (14068690) <b>ALUMINIUM ANODIZED</b> DDP-120B-WB.TE (14068710) <b>STAINLESS STEEL</b> DDP-120BN.TE (14068700)	<b>ALUMINIUM</b> DPS-1202C.TE (14069110) <b>ALUMINIUM ANODIZED</b> DPS-1202C-WB.TE (14069130) <b>STAINLESS STEEL</b> DPS-1202C.NTE (14069120)	<b>ALUMINIUM</b> DPS-1204C.TE (14069270) <b>ALUMINIUM ANODIZED</b> DPS-1204C-WB.TE (14069290) <b>STAINLESS STEEL</b> DPS-1204CN.TE (14069280)	<b>ALUMINIUM</b> DPS-1201C.TE (14069030) <b>ALUMINIUM ANODIZED</b> DPS-1201C-WB.TE (14069050) <b>STAINLESS STEEL</b> DPS-1201CN.TE (14069040)	<b>ALUMINIUM</b> DPS-1203C.TE (14069190) <b>ALUMINIUM ANODIZED</b> DPS-1203C-WB.TE (14069210) <b>STAINLESS STEEL</b> DPS-1203CN.TE (14069200)	<b>ALUMINIUM</b> DPS-12036C.TE (14069350) <b>ALUMINIUM ANODIZED</b> DPS-12036C-WB.TE (14069370) <b>STAINLESS STEEL</b> DPS-12036CN.TE (14069360)



REF.	CODE	DESCRIPTION	for MODELS
C	94493020	PAINT FILTER SET	
E	06859803	SWIVEL JOINT	for DPS 120-1C/-2C/-3C/-4C/-36C_ DPS 90-1G/-2G/-3G/-4G/-36G
E	06859591	SWIVEL JOINT	for DPS 120-1CN/-2CN/-3CN/-4C-N/-36CN and -WB_DPS 90-1GN/-2GN/-3GN/-4GN/-36GN and -WB
F	06357501	HEX. SOCKET BOLT WITH WASHER	
G	04493000	CONNECTING BOLT	
I	06642002	NIPPLE	
M	04432650	BALL VALVE	
M	04433630	BALL VALVE	for DPS120-1C/-2C/-3C/-4C/-36C and DPS90-1G/-2G/-3G/-4G/-36G
N	04343310	JOINT G1/4"R1/4"	for DPS 120-1CN/-2CN/-3CN/-4C-N/-36CN and -WB_DPS 90-1GN/-2GN/-3GN/-4GN/-36GN and -WB
O	04494040	PIPE	for DPS 120-1CN/-2CN/-3CN/-4C-N/-36CN and -WB_DPS 90-1GN/-2GN/-3GN/-4GN/-36GN and -WB
P	06994758	WASHER BOLT	
S	06859563	ELBOW UNION	for DPS 120-4C/-4CN and DPS 90-4G/-4GN

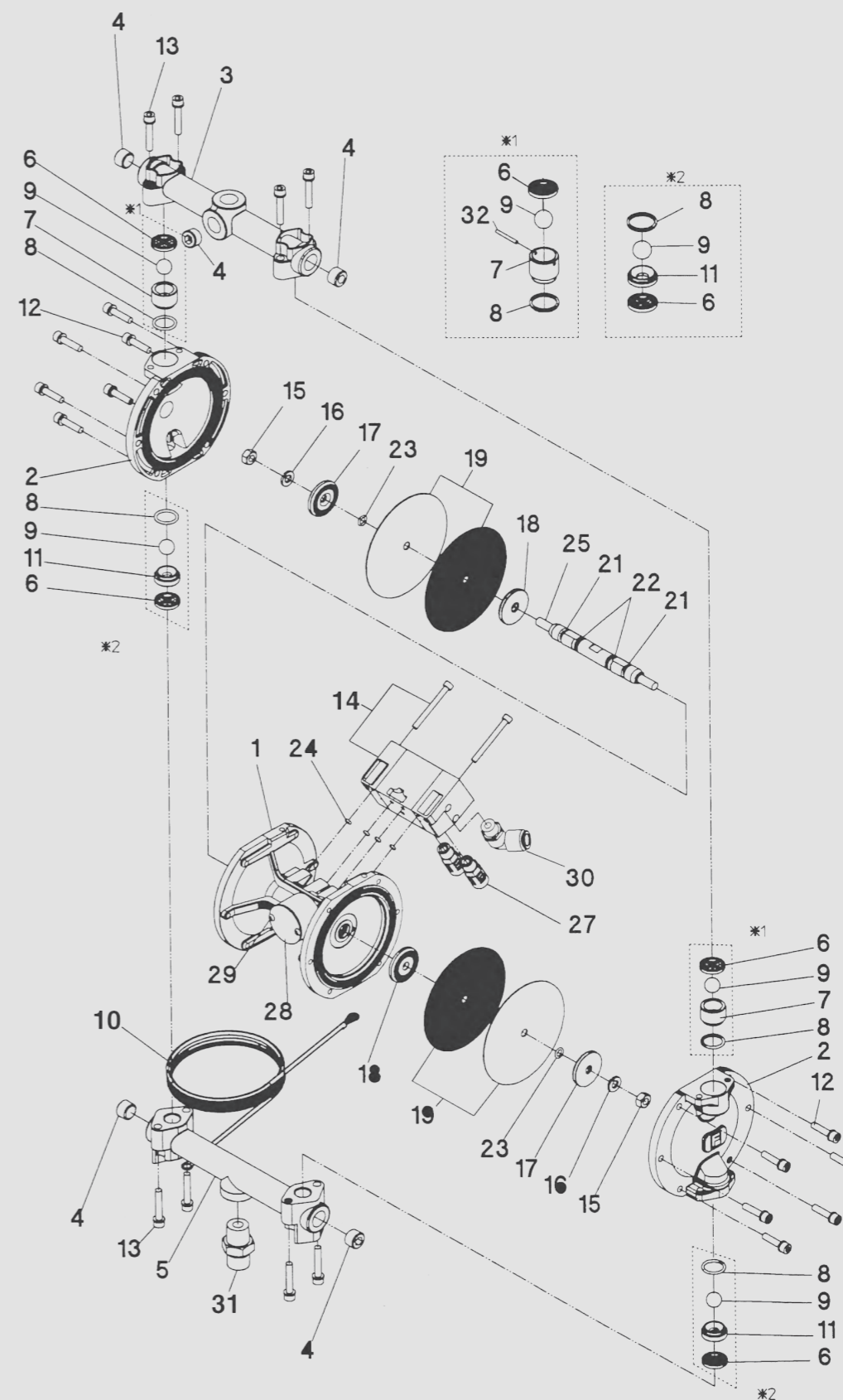


# DOUBLE DIAPHRAGM

# PUMPS

## ORDER INFORMATION - DPS-90 & DPS-120

REF.	CODE	DESCRIPTION	QTY.	DDP-90F	DDP-90FN	DDP-90F-WB	DDP-120B	DDP-120BN	DDP-120B-WB
1	94410622	MAIN BODY		X	X	X			
1	94437632	MAIN BODY					X	X	X
2	94456582	LID		X					
2	94414592	LID			X				
2	94456640	LID				X			
2	94439631	LID					X		
2	94453660	LID						X	
2	94439650	LID							X
3	94452640	UPPER ADAPTOR		X			X		
3	94414650	UPPER ADAPTOR			X			X	
3	94452650	UPPER ADAPTOR				X			X
4	06990413	HEXAGON SOCKET PLUG		X			X		
4	06367202	HEXAGON SOCKET PLUG			X	X		X	X
5	94441630	LOWER ADAPTOR		X			X		
5	94416592	LOWER ADAPTOR			X			X	
5	94441640	LOWER ADAPTOR				X			X
6	04935620	PACKING SET	(2 pcs.)	X	X	X			
6	94933290	PACKING SET	(2 pcs.)				X	X	X
7	04931630	EXHAUST VALVE	(2 pcs.)	X	X	X			
7	94935290	EXHAUST VALVE	(2 pcs.)				X	X	X
8	04932630	'O'-RING SET	(2 pcs.)	X	X	X			
8	94930300	'O'-RING SET	(2 pcs.)				X	X	X
9	04930630	STEEL BALL SET	(2 pcs.)	X	X	X			
9	94934290	STEEL BALL SET	(2 pcs.)				X	X	X
10	04492830	GROUND WIRE		X	X	X	X	X	X
11	04933630	INTAKE VALVE	(2 pcs.)	X	X	X			
11	94446630	INTAKE VALVE	(2 pcs.)				X	X	X
12	96357500	HEX. SOCKET BOLT WITH WASHER		X	X	X	X	X	X
13	96357502	HEX. SOCKET BOLT WITH WASHER		X	X	X	X	X	X
14	94490632	AIR OPERATING VALVE SET		X	X	X	X	X	X
15	06361081	HEX. NUT		X	X	X	X	X	X
16	06362080	SPRING WASHER		X	X	X	X	X	X
17	04414600	DIAPHRAGM HOLDER (OUTER)		X	X	X			
17	94448630	DIAPHRAGM HOLDER (OUTER)					X	X	X
18	94453581	DIAPHRAGM HOLDER (INNER)		X	X	X			
18	94449631	DIAPHRAGM HOLDER (INNER)					X	X	X
19	94931621	DIAPHRAGM SET	(2+2 pcs.)	X	X	X			
19	94932301	DIAPHRAGM SET	(2+2 pcs.)				X	X	X
21	06996610	'Y'PACKING		X	X	X	X	X	X
22	06630011	'O'-RING		X	X	X	X	X	X
23	06630008	'O'-RING		X	X	X	X	X	X
24	06630004	'O'-RING		X	X	X			
24	06630006	'O'-RING					X	X	X
25	04431590	ROD		X	X	X	X	X	X
27	04432590	MUFFLER		X	X	X	X	X	X
28	04456570	BLANKING COVER		X	X	X	X	X	X
29	06234002	TAPPING SCREW		X	X	X	X	X	X
30	06800202	ELBOW UNION		X	X	X	X	X	X
31	04427640	JOINT		X			X		
31	04428640	JOINT			X	X		X	X
32	94444630	PIN					X	X	X





# PAIN PRESSURE TANKS

## PET SERIES (max. 7.0 bar)

The Anest Iwata PET paint pressure tank series guarantee a valid and reliable fluid supply system for spray guns and other pneumatic equipments. The system is an excellent tool to allow a valid dilution, a correct density and a constant mixing of the paint (constantly stirred if required) with low pressures and flow rates.



TECHNICAL DATA				
Max. Working Pressure:	7 bar (100 psi)			
Air Inlet Joint:	G 1/4" M			
Fluid Outlet Joint:	G 3/8" M			
Working Temperature:	5~40 °C			
Mass:	PET 10 N	15.3 Kg	PET 10 MN	17.5 Kg
	PET 30 N	20.4 Kg	PET 30 MN	22.6 Kg
	PET 50 N	15.3 Kg	PET 50 MN	28.2 Kg
Dimensions:	PET 10 N /-10 MN		540 x 330 mm	
	PET 30 N /-30 MN		710 x 415 mm	
	PET 50 N /-50 MN		810 x 470 mm	

### FEATURES

- Stainless steel container, polished inside
- PET 10 (10 lt.), PET 30 (30 lt.), PET 50 (50 lt.)
- N: without pneumatic agitator
- MN: with pneumatic agitator
- Second fluid connection (optional)
- No additional lubrication of drive required
- All models conform to ATEX

### ORDER INFORMATION: PET-10 - PET-30 - PET-50

PET SERIES	10 lt	30 lt	50 lt
PET-10N	14972600	-	-
PET-10MN with pneumatic agitator	14972620	-	-
PET-30N	-	14972630	-
PET-30MN with pneumatic agitator	-	14972650	-
PET-50N	-	-	14972660
PET50MN with pneumatic agitator	-	-	14972680



**PET-50**  
50 lt



**PET-30**  
30 lt

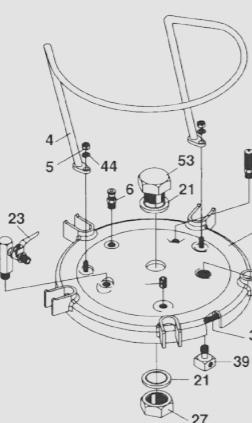


**PET-10**  
10 lt

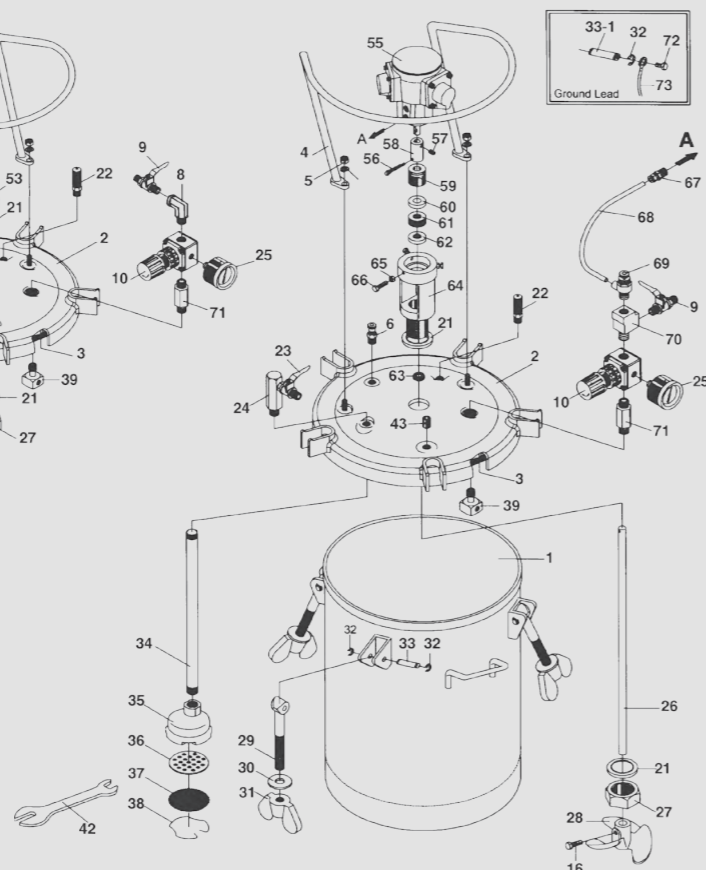
### Pneumatic Agitator AM-6B

Operating pressure: 1±1.5 bar  
Air consumption: 15 Liter/min,  
Max. air inlet pressure: 7.0 bar

Model N:  
Version without  
PNEUMATIC AGITATOR



Model MN:  
Version with  
PNEUMATIC AGITATOR



## ORDER INFORMATION



REF.	CODE	DESCRIPTION	10N	10MN	30N	30MN	50N	50MN
3	04015110	LID PACKING	X	X				
3	04015240	LID PACKING			X	X		
3	04016170	LID PACKING					X	X
4	04015250	HANDLE			X	X		
4	04019250	HANDLE	X	X				
4	04016180	HANDLE					X	X
5	04015140	HEXAGON NUT	X	X	X	X	X	X
6	04015150	EXHAUST VALVE	X	X	X	X	X	X
8	04015460	ELBOW	X		X		X	
9	04015170	TWO WAY VALVE (Air Inlet )	X	X	X	X	X	X
10	94015180	AIR PRESSURE REGULATOR	X	X	X	X	X	X
16	04019040	HEAD BOLT		X		X		X
21	04019100	SEALING RING	X	X	X	X	X	X
22	04002211	SAFETY VALVE	X	X	X	X	X	X
23	04015450	TWO WAY VALVE (Fluid outlet)	X	X	X	X	X	X
24	04015470	FLUID OUTLET ADAPTER	X	X	X	X	X	X
25	04016190	PRESSURE GAUGE	X	X	X	X	X	X
26	04016400	ROD + COUPLING (56+57+58)		X				
26	04016410	ROD + COUPLING (56+57+58)				X		
26	04016420	ROD + COUPLING (56+57+58)						X
27	04019120	FIXING NUT	X	X	X	X	X	X
28	04016430	PROPELLER		X		X		X
29	04015490	SWING BOLT	X	X	X	X	X	X
30	04016200	WASHER	X	X	X	X	X	X
31	04016210	THUMB NUT	X	X	X	X	X	X
32	94020220	E-STOPPER	X	X	X	X	X	X
33	94020230	PIN	X	X	X	X	X	X
33-1	04016440	PIN (SUS)	X	X	X	X	X	X
34	04016450	SUCTION PIPE	X	X				
34	04016460	SUCTION PIPE			X	X		
34	04016470	SUCTION PIPE					X	X
35	04015270	FILTER COVER			X	X	X	X
35	04016260	FILTER COVER	X	X				
36	04015280	FILTER BASE			X	X	X	X
36	04016270	FILTER BASE	X	X				
37	04015290	FILTER (40 Mesh)			X	X	X	X
37	04016280	FILTER (40 Mesh)	X	X				
38	04015300	FILTER STOPPER			X	X	X	X
38	94016290	FILTER STOPPER	X	X				
39	94016310	AIR FLOW GUIDE	X	X	X	X	X	X
43	06990412	HEX. SOCKET SCREW			X	X	X	X
44	06500804	SPRING WASHER	X	X	X	X	X	X
53	04016480	HEAD BOLT	X		X		X	
55	AM-6B	PNEUMATIC AIR MOTOR		X		X		X
59	04017410	PACKING SEAT		X		X		X
60	04017420	"V" PACKING FEMALE ADAPTOR		X		X		X
61	04017430	"V" PACKING		X		X		X
62	04017440	"V" PACKING MALE ADAPTOR		X		X		X
63	04017450	O-RING		X		X		X
64	04017460	AIR MOTOR SUPPORT		X		X		X
65	04017470	HEX. NUT		X		X		X
66	04017480	HEAD BOLT		X		X		X
67	04017490	QUICK COUPLING		X		X		X
68	04018100	AIR HOSE		X		X		X
69	04018110	SPEED CONTROLLER		X		X		X
70	04018120	ADAPTER		X		X		X
71	04018130	ADAPTER	X	X	X	X	X	X
72	04018140	SCREW	X	X	X	X	X	X
73	04018150	GROUND WIRE	X	X	X	X	X	X



# PAINT PRESSURE TANK

## PET-10 (max- 4.0 bar)

### FEATURES

- Paint pressure tank with stainless steel inner tank for easy filling of the appropriate material and a trouble-free interior cleaning
- Robust construction
- Suitable for hydraulic products
- Carry handle for quick and easy transport
- Equipped with locking lid, 2 controllers, 2 pressure gauges and safety valve
- Conform to ATEX

TECHNICAL DATA	
Max. Operating pressure	4.0 bar
Tank capacity	10 liter, inner tank 8.5 liter stainless steel
Air inlet joint	G 1/4" M
Fluid output joint	3/8" M
Operating temperature	5-40 °C
Weight	11 Kg
Dimensions	310x310x565 mm

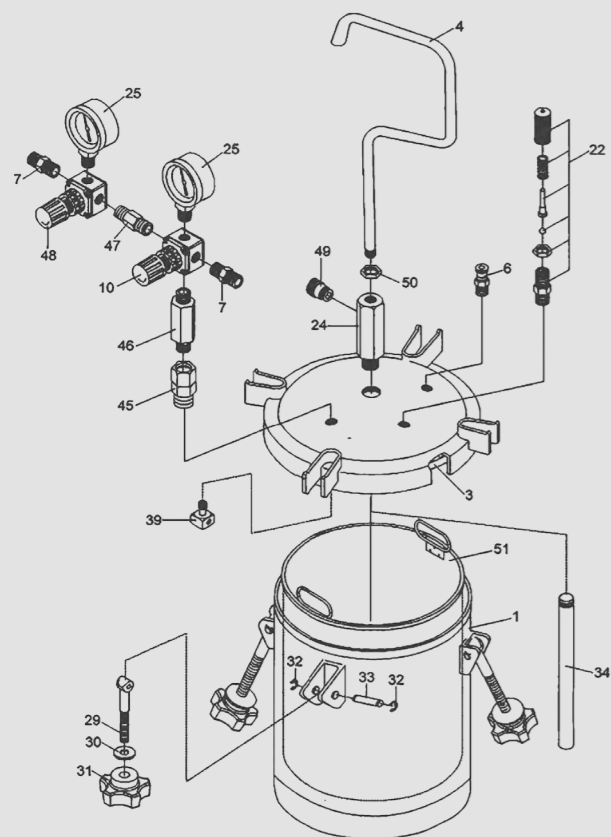


INNER TANK IN STAINLESS STEEL



### ORDER INFORMATION

REF.	CODE	DESCRIPTION
	14972400	PET-10 PRESSURE TANK 10 lt.
3	94020200	LID PACKING
4	94020020	HANDLE
6	94020030	EXHAUST VALVE
7	94020210	AIR INLET JOINT / OUTLET JOINT G1/4"
10	94008260	PRESSURE REGULATOR (FOR TANK)
22	94016391	SAFETY VALVE
24	94020040	FLUID OUTLET CONNECTING JOINT SUS 303
25	94016020	PRESSURE GAUGE
29	94020190	HANDLE BOLT
30	94020060	WASHER
31	94020070	THUMB NUT
32	94020220	C-SNAP RING
33	94020230	STUD
34	94020090	SUCTION PIPE SUS 303
39	94016310	AIR FLOW GUIDE
45	94020100	ADAPTER
46	94020110	ADAPTER
47	94020120	ADAPTER
48	94020130	PRESSURE REGULATOR (FOR GUN)
49	94020140	FLUID OUTLET JOINT SUS 303 3/8"
50	94020160	NUT
51	94020170	INNER TANK SUS 304



# PRESSURIZED CONTAINER

## PC-18D-S0 (max-3.5 bar)

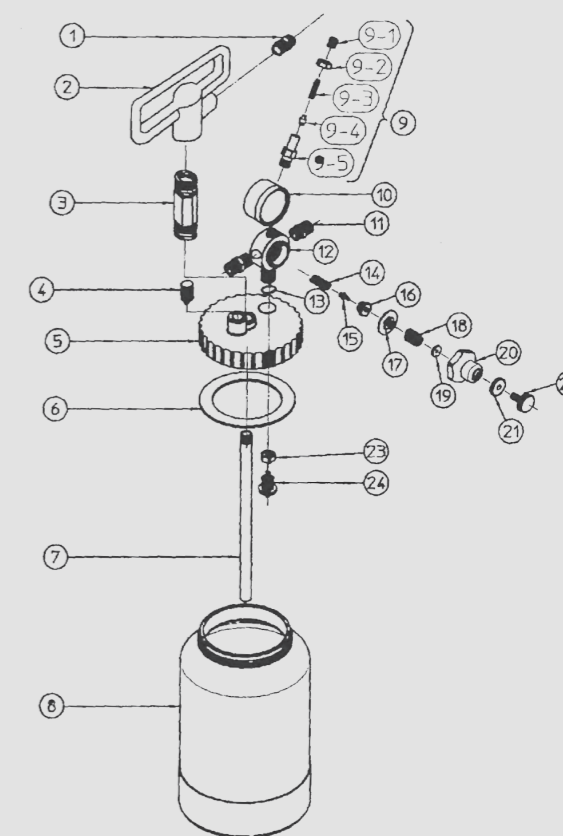
### FEATURES

- Small Paint Pressure Tank Aluminum 2 liters
- Max. operating pressure: 3.5 bar
- Operating temperature: 5-40° C
- Fluid Nipple: G 3/8" (PF3/8")



### ORDER INFORMATION

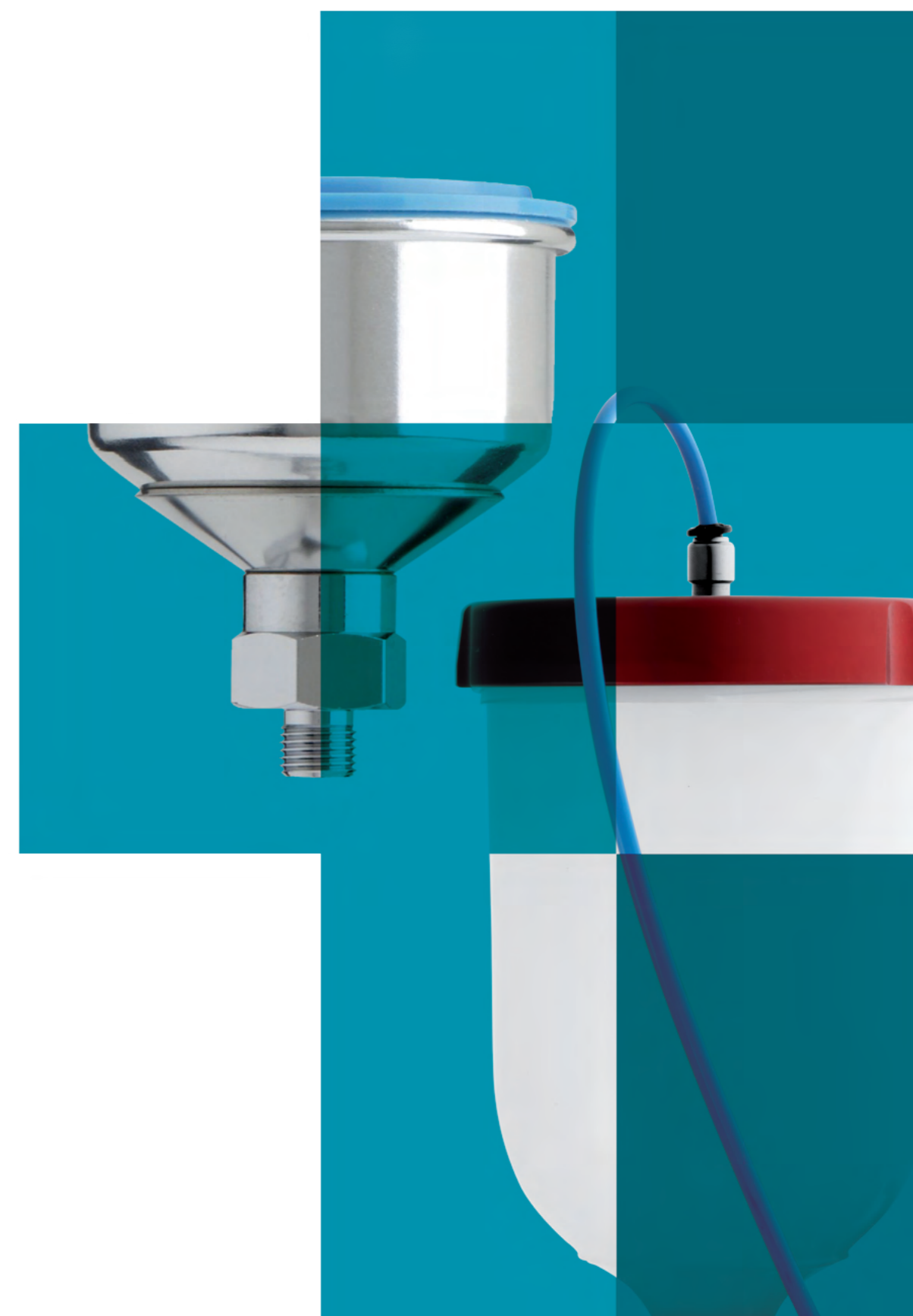
REF.	CODE	DESCRIPTION
	14018900	PC-18D PRESSURIZED CONTAINER
1	94056350	FLUID JOINT
2	94055350	HANDLE
3	94057350	HANDLE JOINT
4	94003350	AIR RELEASE VALVE
5	94053350	LID
6	94900210	LID PACKING (2 pcs./1 pk.)
7	94001350	SUCTION PIPE
8	94000351	CONTAINER SET
9	94007350	SAFETY VALVE
9-1	04012350	PLUG
9-2	04011350	NUT
9-3	04010350	SAFETY VALVE SPRING
9-4	04009350	SAFETY VALVE SPRING SEAT
9-5	04008350	SAFETY VALVE BODY
10	94048400	PRESSURE GAUGE
11	94027350	JOINT
12	94049350	AIR REGULATOR BODY SET
13	06631012	'O'RING
14	04016350	SPRING
15	04017350	REGULATOR SEAT
16	04018350	GUIDE
17	04019350	DIAPHRAGM SET
18	04023350	DIAPHRAGM SET SPRING
19	04038350	SPRING HOLDER
20	94074350	CAP
21	04025350	NUT
22	04026350	KNOB
23	94058350	NUT
24	94069350	VALVE





4

CUPS  
FILTERS  
& ADAPTERS



## GRAVITY CUPS - ORDER INFORMATION

## GRAVITY CUPS - ORDER INFORMATION

### CENTRAL 600 ml

#### PC-G600P-2

Code: 140081A0  
 Connection: G1/4" (PF1/4")  
 Cpty.: 600 ml  
 Available for: WS-400 - LS-400 SR2  
 W300 WB (opt.) - LPH-300



#### PCG-6-PE

Code: 14011001  
 Connection: M16 x 1.5 F  
 Cpty.: 600 ml  
 Available for: W-400 Classic Series



#### PCG-6P-2-AZ

Code: W0CUPAZ90  
 Connection: G1/4" (PF1/4")  
 Cpty.: 600 ml  
 Available for: AZ3 HTE 2  
 AZ3 HTE-S Impact



#### PCG-6P-2B-AZ

Code: W0012820100  
 Connection: G1/4" (PF1/4")  
 Cpty.: 600 ml  
 Available for: AZ3 HTE 2



#### PCGP-6P-2B-AZ

Code: W0CUPAZ85  
 Connection: G1/4" (PF1/4")  
 Cpty.: 600 ml  
 Available for: AZ3 HTE P.A.S.  
 Concept



### CENTRAL 250 ml

#### PCG-3P-1

Code: VPE 250  
 Connection: G1/8" (PF1/8")  
 Cpty.: 250 ml  
 Available for: LPH-80 (opt.)



### CENTRAL 200 ml

#### PCG-2P-2

Code: W0CUPAZ40IN  
 Connection: G1/4" (PF1/4")  
 Cpty.: 200 ml  
 Available for: W-300 WB - LPH-300 (opt.)  
 AZ4 HTE-S Impact Junior



#### PCG-2P-2B-AZ

Code: W0CUPAZ40  
 Connection: G1/4" (PF1/4")  
 Cpty.: 250 ml  
 Available for: AZ40 HTE



### SIDE 200 ml

#### PC-52 AG

Code: 14018186F  
 Connection: G1/4" (PF1/4")  
 Cpty.: 200 ml  
 Available for: RG-3L



### SIDE 130 ml

#### PC-61

Code: 14018190  
 Connection: G1/4" (PF1/4")  
 Cpty.: 130 ml  
 Available for: RG3L - LPH 50



### CENTRAL 70 ml

#### PCG-1P-1

Code: 13678980  
 Connection: G1/8" (PF1/8")  
 Cpty.: 70 ml  
 Available for: LPH-80



#### PCG-1P-1B-AZ

Code: W0012320100  
 Connection: G1/8" (PF1/8")  
 Cpty.: 70 ml  
 Available for: AZ5



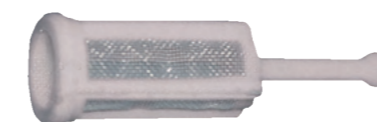
#### PCG-1P-2

Code: 13001200  
 Connection: G1/4" (PF1/4")  
 Cpty.: 70 ml  
 Available for: AZ4 HTE-S  
 Impact Junior

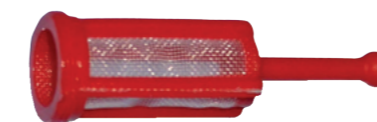


## FILTERS

### ORDER INFORMATION



Code: 94011240  
 Description: 60 MESH (250µ)  
 Available for: WS-400 (600 ml) - LS-400 (600 ml) - W-300 WB (opt.)



Code: 03515500  
 Description: 60 MESH (250µ)  
 Available for: W-400 Series (600 ml)



Code: W2KIT06  
 Description: 60 MESH (250µ)  
 Qty.: 5 pcs.  
 Available for: W-300 WB (200 ml) - LPH-300 (opt.) - AZ3 HTE2 (600 ml)  
 AZ3 HTE S Impact (600 ml)

## 3M PPS 2.0 ADAPTERS

CODE	MODEL	TYPE	AVAILABLE FOR
960075A0	CUPS ADAPTORS 3M PPS 2.0	S6	W-300 - LPH-300
960074A0		S2	W-400 - LPH-400
960059A0		S43	WS-400 - LS-400 - AZ3 HTE2 - AZ3 HTE S Impact
960076A0		S31	LPH-80
CUPS ADAPTORS 3M - Available while stocks last			
W2COM6067	CUPS ADAPTORS 3M	Typ 43	WS-400 - LS-400 - AZ3 HTE2 - AZ3 HTE S Impact
W3M000A06		Typ 6	W-300 WB - LPH-300
W3M000A31		Typ 31	LPH-80

### 3M PPS 2.0 ADAPTER





# CUPS - FILTERS and

## BLACK GRAVITY CUPS - ORDER INFORMATION

### FOR UV-CURED PAINT

The UV CUPS are an addition to our standard line of cups. Thanks to their black color they help protecting UV-cured paints from unwanted exposition.



### CENTRAL 600 ml

#### PCG-6P-M-S1

**Code:** 13000330  
**Connection:** G1/4" (PF1/4")  
**Cpty.:** 600 ml  
**Available for:** W-400 LPH-400 Classic Plus Series



### CENTRAL 200 ml

#### PCG-2P-2-S1

**Code:** 140025A0  
**Connection:** G1/4" (PF1/4")  
**Cpty.:** 200 ml  
**Available for:** W-300 WB UV



### CENTRAL 70 ml

#### PCG-1P-1-S1

**Code:** 13000230  
**Connection:** G1/8" (PF1/8")  
**Cpty.:** 70 ml  
**Available for:** LPH-80



#### UV BLACK CUP

**Code:** W0CUPAZ91  
**Connection:** G1/4" (PF1/4")  
**Cpty.:** 600 ml  
**Available for:** AZ3 HTE IMPACT

# ADAPTERS

## ALUMINIUM GRAVITY CUPS FILTERS and ADAPTERS

### ORDER INFORMATION

#### CENTRAL 1000 ml

**PCG10EM**  
**Code:** VAIU6034E  
**Connection:** M16 x 1,5 F  
**Cpty.:** 1000 ml  
**Available for:** W-400 Series



#### PCG10D

**Code:** VAIU6038  
**Connection:** G1/4" (PF1/4")  
**Cpty.:** 1000 ml  
**Available for:** W-300 WB - LPH-300

#### CENTRAL 400 ml

#### PCG4D-2

**Code:** VAIU6031D  
**Connection:** G1/4" (PF1/4")  
**Cpty.:** 400 ml  
**Spray gun models:** WS-400 - LS-400 - W-300 WB - LPH-300



#### CENTRAL 70 ml

#### PCG2D-1

**Code:** VAIU6050  
**Connection:** G1/8" (PF1/8")  
**Cpty.:** 70 ml  
**Available for:** LPH-80



#### CENTRAL 700 ml

#### PCG7D-2

**Code:** VAIU6032D  
**Connection:** G1/4" (PF1/4")  
**Cpty.:** 700 ml  
**Available for:** WS-400 - LS-400 - W-300 WB - LPH-300



#### PCG7EM

**Code:** VAIU6033E  
**Connection:** M16 x 1.5 F  
**Cpty.:** 700 ml  
**Available for:** W-400 Series



#### CENTRAL 150 ml

#### PCG2D-2

**Code:** VAIU6030D  
**Connection:** G1/4" (PF1/4")  
**Cpty.:** 150 ml  
**Available for:** WS-400 - LS-400 - W-300 WB - LPH-300



#### PCG2B-1

**Code:** VAIU6036D  
**Connection:** G1/8" (PF1/8")  
**Cpty.:** 150 ml  
**Available for:** LPH-80



## HIGH T.E.C. UNDER GUN FILTER

### ORDER INFORMATION - for PRESSURE SPRAY GUNS

#### FEATURES

The High T.E.C. filter consists of a filter housing, in order to couple the filter between the gun and the fluid hose. It is available in 3 filtrations. It has a large filtration surface and can be used with hydro-soluble products.



CODE	DESCRIPTION	QTY.
<b>FILTER HOUSING: in Derlin material for solvent and water based paint</b>		
VLA006225	HIGH T.E.C. FILTER HOUSING	F 3/8"-M 3/8"
VLA62251414	HIGH T.E.C. FILTER HOUSING	F 1/4"-M 1/4"
VLA62251438	HIGH T.E.C. FILTER HOUSING	F 3/8"-M 1/4"
<b>FILTER: in Polyamide (PA) plain weave PLASTIC BODY: in Polypropylene (PP)</b>		
VLA6225340	UNDERGUN FILTER	WHITE
VLA6225100	UNDERGUN FILTER	BLUE
VLA6225052	UNDERGUN FILTER	GREEN



5

GENERAL  
ACCESSORIES

HEALTH  
PROTECTION

HEALTH  
  
PROTECTION





## ANEST IWATA OVERALL

### PREMIUM QUALITY



### IMPROVED FIT AND HIGH FULL DAY COMFORT

The New Premium Overall provides optimum protection against overspray and prevents pollution of the painting job by fibres, dust and lint. It has been designed with the user in mind, to guarantee a full day comfort and to responds to all our users safety necessity by an improved antistatic fiber most resistant and a new designed hood for a better fit.

#### PERSONAL PROTECTIVE EQUIPMENT (PPE)

Category I according to the European Directive 2016/425  
Basic PPE protects against minimal risks.

#### OVERALL'S SIZE CHART

SIZE	S	M	L	XL
EU	46	48	50	52-54
HIGH	170-174 cm	174-178 cm	178-182 cm	182-190 cm
CHEST	86-94 cm	94-102 cm	102-110 cm	110-118 cm
WAIST	70-78 cm	78-86 cm	86-94 cm	94-102 cm

Bicolored Overall in two different dark grey tones

Nylon fabric (EN 1149-1: 2006) with 1% carbon thread for maximum antistatic ability

According to 1149-3 Method 2: Induction decay time

Perfect fit for all sizes

Maximum movability

Dirt and water repellent, protects against overspray

Dust and lint free

High durable blind zipper

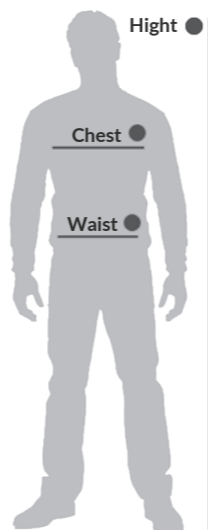
Underarm aeration net

Waist with elastic band

Tight fit to neck, sleeves and ankles cuffs

2 side pockets

Available sizes : S-M-L-XL



### ORDER INFORMATION

CODE	DESCRIPTION	SIZE
150006A0	PREMIUM OVERALL	S
150007A0	PREMIUM OVERALL	M
150008A0	PREMIUM OVERALL	L
150009A0	PREMIUM OVERALL	XL



### OVER-GLASSES PROTECTIVE GOGGLES

#### FEATURES

Polycarbonate lens, offers protection from medium energy hi-speed particles, the frame offers protection against large dust particles and liquid droplets.

Soft rubber frame provides comfort for longtime.



CONFORMS TO EN166:2001

LENS MARKING: 2 - 1.2 XXX 1 B 9	
2	Radiation protection: (2= UV filter)
1.2	Gradation: (1.2= Transparent)
XXX	Identification on the producer: (brand)
1	Optical Class: (1= Continuous use)
B	Mechanical resistance: (B= Medium energy impact)
9	Additional requirements: (9= Resistance to splashes of molten metals and penetration of hot solids)

### ORDER INFORMATION

CODE	DESCRIPTION
AGN020-441-3P0	VISIONSHIELD GOGGLES

### SAFETY WRAPAROUND GLASSES

#### FEATURES

Moulded with soft rubber to increase grip and provide excellent comfort levels.

Polycarbonate lenses and frame ensure protection against low energy hi-speed particles.

Adjustable nose piece: the soft nose bridge is adjustable and provides high grip fitting that prevents slippage.



CONFORMS TO EN166:2001

Lens Marking: 2 - 1.2 xxx 1 F N	
2	Radiation protection: (2= UV filter)
1.2	Gradation: (1.2= Transparent)
XXX	Identification of the producer: (brand)
1	Optical Class: (1= Continuous use)
F	Mechanical resistance: (F= Low energy impact)
N	Additional requirements: (N= Fogging Resistance)

### ORDER INFORMATION

CODE	DESCRIPTION
ASA770-15K-4P0	VISIONSHIELD GLASSES





## VIPER HALF FACE GUARD MASK

### HALF MASK with INTERCHANGEABLE COMBINED FILTERS



#### FEATURES

- Full field of vision
- Quick bayonet fittings
- Secure fit
- Large filter surfaces



Medium Capacity Organic Gas / Vapors Filter  
(Hydrocarbons & Solvents)  
CONFORM TO: EN143:2000 + A1:2006  
High Efficiency Particles Filters  
CONFORM TO: EN14387:2004

The spectrum of action of harmful substances is large, then it is necessary identify with great precision the specific risks present in each workplace. The half mask respirators have two different types of filters that offer effective protection against dust, gases and vapors. Wearing protective masks and using them correctly can ensure an effective protection of the health against toxic substances.



#### Filters in two versions

- A2P3R filter for high protection
- AB1P2R filter for standard protection
- Built-in inhalation valves in the filter
- Low inhalation resistance

### A2P3R HIGH PROTECTION COMBINED FILTERS

Filter marking: A2P3R	
A2	(A = organic gas/vapours, bp >65°C) (2 = medium capacity)
P3R	(P = particulate filter) (3 = high capacity) (R= reusable)



### AB1P2R STANDARD PROTECTION COMBINED FILTERS

Low Capacity Organic Gas / Vapors Filter  
(Hydrocarbons & Solvents)  
CONFORM TO: EN143:2000 + A1:2006  
Medium Efficiency Particles Filters  
CONFORM TO: EN14387:2004



Filter marking: AB1P2R	
AB1	(AB = inorganic gas/vapours, bp >65°C) (1 = low capacity)
P2R	(P = particulate filter) (2 = medium capacity) (R= reusable)

RESPIRATORY PROTECTION

DUST PARTICLES

MISTS Et FUMES

PAINTING ODOURS

### ORDER INFORMATION

CODE	DESCRIPTION	QTY.
150001A0	VIPER GUARD MASK (A2P3R Half Face Mask)	
150002A0	VIPER GUARD MASK (AB1P2R Half Face Mask)	
VIUGVGM123	A2P3R FILTER SET	(2 pcs)
VIUGVGM510	AB1P2R FILTER SET	(2 pcs)
VIUGVGM002KIT	P2R PRE-FILTER SET	(4 pre-filters/2 holders)

## AIRFED 2020 FULL FACE MASK

One of the biggest risks to the health of the human body is the inhalation of dust, paint mists, gases, vapors or other contaminants, which can be greatly hazardous to our health, even in small quantities. For this reason, it is of extreme importance to use masks to protect against respiratory aggressions that you can undergo during job in a saturated environment of toxic substances. ANEST IWATA offers excellent protections to always ensure your safety in all kind of environments. AIRFED 2020 FULL FACE MASK is functional and stylish. Suitable for use with previously filtered compressed air.



#### FEATURES

- Very good all-round visibility with large visor
- Head protection and comfort headband
- Visor with quick-change protection film
- Individually adjustable belt
- Easily adjustable width adjustment
- Adjustable fresh air regulator
- 5 micron filter
- New Belt Unit including Whistle Warning
- 1.5m hose (inside diameter 8mm)
- Supplied in Hygiene Box



### VISOR

EN166:2001

Lens marking: 1F3	
1	Optical Cass: (1 = Continuous use)
F	Mechanical resistance: (F = Low energy impact)
3	Specific use (risk types): (3 = Resistance to chemical splashes)

### HOSE/AIRLINE BREATHING APPARATUS

EN14594:2005

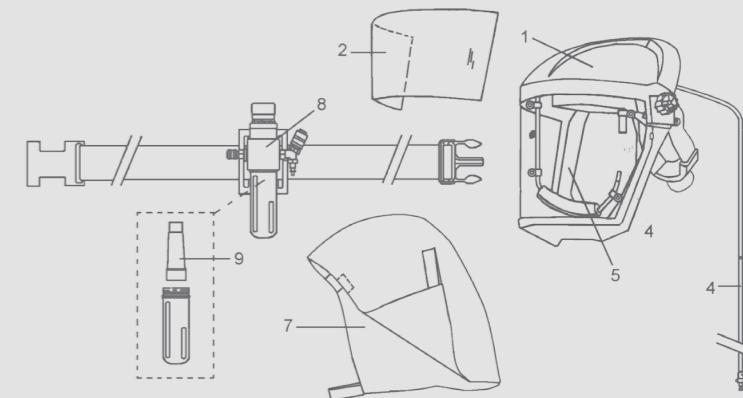
Marking: LHD-3	
LHD	Light, duty compressed air line helmet.
3	Class of performance (inward leakage): (3 = maximum 0.5%)

NOTE: compressed Air Breathing Quality, must be Conforms to EN12021:2014



### ORDER INFORMATION

CODE	DESCRIPTION	REF.	QTY.
VIUAF2020KIT	2020 AIR FED MASK		
VIUAF2020HEAD	2020 HEADPIECE ONLY	1	
VIUAF2020/K10-SV	VISOR PEEL OFF COVERS	2	10 pcs.
VIUAF2020/K50-SV	VISOR PEEL OFF COVERS	2	50 pcs.
VIUAF2020CHIN	CHIN GUARD AND FACESCREEN	4	
VIUAF2020DIFF	DIFFUSER TUBE	5	
VIUAF2101K5	HYGIENE KIT	6	5 pcs.
VIUAF2103K5	NAPE COVERS	7	5 pcs.
VIUAF2207	BELT REGULATOR	8	
VIUAFG-N-AF-MC	5 MICRON CARBON FILTER	9	
VIUAF2003	BELT ONLY		
VIUAF2400	BRACKET ONLY		
I-UK-AH008-FT26	STUB HOSE		
VIUAF2010HRNS	ADJ HARNESS		





6

CLEANING  
MAINTENANCE  
&  
AIR QUALITY



## PCA12.0 & HCA12.0

## CLEANING APPLICATION

ANEST IWATA High Quality manual pressure atomizers are especially suited for automotive industry, motorcycle and bicycle garages, machine and metalworking industries and workshops.

### FEATURES

- High quality, robust pump spray bottle for quick cleaning of spray guns
- Special, adjustable nozzle  $\varnothing$  0.8 mm (nickel-plated brass)
- Powerful piston pump (nickel-plated brass) for an operating pressure up to 12.0 bar.
- 1 lt. capacity with large opening.
- Level indicator and measurement scale.
- Perfect stability.
- Ergonomically shaped handle for easy operation.
- PCA12.0 with solvent-resistant specialty gaskets (BMS 2010 black) for use with aggressive cleaners, resistant to all common solvents.
- HCA12.0 with chemically resistant Viton seals (FKM (Viton) green) for use with mild cleaners, to 95% for cleaning of basecoat.

**PREMIUM QUALITY**  
**PCA12.0**  
PREMIUM QUALITY Cleaning Applicator

**AGGRESSIVE CLEANERS**

with **SUPER SEAL BMS 201**



### ORDER INFORMATION

CODE	DESCRIPTION
W2COM6226	SPRAY GUN CLEANING APPLICATOR PCA 12.0 Premium Quality (Super Seal BMS 210)

**HIGH QUALITY**  
**HCA12.0**  
HIGH QUALITY Cleaning Applicator

**MILD CLEANERS**

with **VITON SEAL FPM**

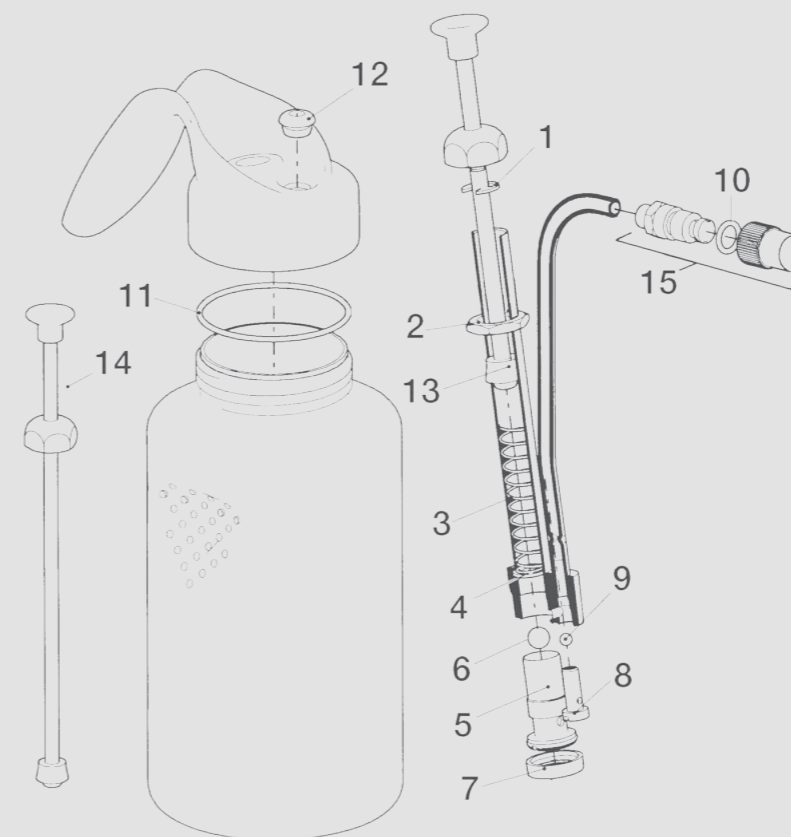


MODELS	PCA 12.0	HCA 12.0
Chemical Resistance	Especially suitable for mineral oil respectively petroleum based products, which contain also Acetone (or similar solvents) and/or Alcohol.	Suitable for mineral oil based products, solvents, separating agents, wax products, emulsions and higher viscosity products. Not suitable for products containing acetone.
Tank Material	PE transparent white	
Gaskets	Special Gaskets BMS 210	Viton FPM
Pump	Nickel plated brass	
Weight (empty)	310 g	
Tank capacity	1 lt.	
Dimensions	H250 mm, $\varnothing$ 120 mm	
Max. operating pressure	12 bar	
Temperature range	from 5° to 50° C	

### ORDER INFORMATION

CODE	DESCRIPTION
W2COM6225	SPRAY GUN CLEANING APPLICATOR HCA 12.0 High Quality (Viton Seal FPM)

acids ●  
alkalis ●  
solvents ●  
**RESISTANT**



### SPARE PARTS

CODE	DESCRIPTION	REF.
W2KIT70	MAINTENANCE KIT	
	PROTECTION WASHER	1
	NUT	2
	PRESSURE SPRING	3
	WASHER	4
	SUCTION VALVE	5
	BALL 7/32"	6
	SUCTION FILTER CPL.	7
	PRESSURE VALVE	8
	BALL 1/8"	9
W2KIT71	PACKING SET - HCA (FPM - GREEN)	
	O-RING 7,66x1,78	10
	GASKET 57.5x53x2 PE	11
	PRESSURE TUBE JOINT	12
	SLEEVE	13
W2KIT72	PACKING SET - PCA (BMS 210 - BLACK)	
	O-RING 7,66x1,78	10
	GASKET 57.5x53x2 PE	11
	PRESSURE TUBE JOINT	12
	SLEEVE	13
W2KIT73	PISTON SET	14
W2KIT74	ADJUSTABLE NOZZLE SET $\varnothing$ 0.8 mm	15



Powerful nickel plated brass piston pump giving up to 12 bar pressure. Pump easily to dismantle for easy and quick maintenance



## CLEANING & MAINTENANCE TIPS

## CLEANING & MAINTENANCE TOOLS

### DISASSEMBLING and CLEANING

**Disassembly of fluid needle, fluid nozzle and air cap.**

**Cleaning and drying of the spray gun.**

**Cleaning of atomizing parts.**



**NOTE**  
During the cleaning operation make sure to always use a compatible cleaner with the spray gun parts.

Clean small holes on the fluid nozzle with a special tiny brush (code W2COM6127).\*

Clean the nozzle orifice.\*

Clean the tip of the nozzle carefully with a brush (code W2COM6163).

Clean also the thread of the nozzle carefully with a brush (code W2COM6163).

Clean the fluid nozzle internally with the correct size brush (code W2COM6126).

Clean the air cap center hole (code W2COM6162).

Clean the tiny holes with needle (code W2COM6164).\*

Clean the horn holes with special tiny brush (code W2COM6127).\*

Clean the back side as well.

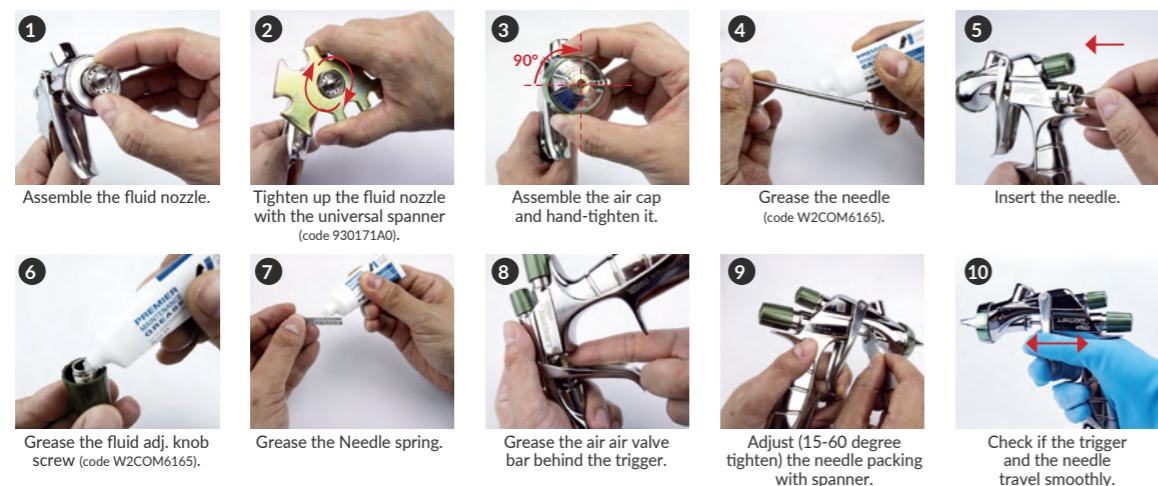
Clean the needle.

IMPORTANT. During the manual cleaning operations, be sure to never use any brushes with metal bristles, which could damage the internal parts or the surface of the spray gun.

\*On Complete Tool Kit only.

### ASSEMBLING

**Assembling and maintenance**



IMPORTANT. The use of silicone-free Anest Iwata spray gun grease in maintenance operations, has proved to be a needful means to guarantee the perfect functionality of all moving parts and thread sections of the spray gun and to increase their resistance to wear.

Our Spray Gun Cleaning & Maintenance Kits include the same important tools which Technical Services use to clean and restore spray gun to perfect working conditioning. The kits come in two versions: Complete and Essential.

### MAINTENANCE COMPLETE TOOL KIT

- Contents: 1 Big Surface Brush (W2COM6125)
- 1 Flat Brush (W2COM6124) - 1 Big Twisted Brush (W2COM6126)
- 1 Brush in Bamboo (W2COM6163) - 2 Twisted Brushes (1x Ø 10 mm W2COM6162 - 1x Ø 5 mm W2COM6161)
- 1 Tiny Twisted Brush (W2COM6127)
- 1 Very Tiny Twisted Brush (W2COM6128)
- 12 Cleaning Needles (W2COM6164)
- 1 Premier Maintenance Grease (W2COM6165).



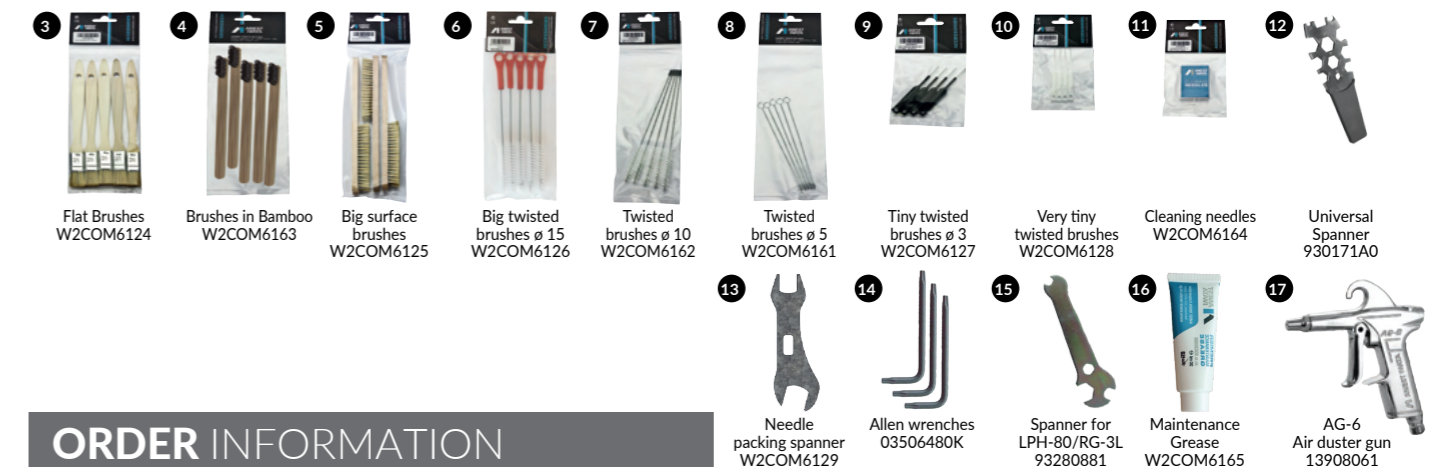
1 COMPLETE TOOL KIT

### MAINTENANCE ESSENTIAL TOOL KIT

- Contents: 1 Big Surface Brush (W2COM6125)
- 1 Flat Brush (W2COM6124) - 1 Big Twisted Brush (W2COM6126)
- 1 Brush in Bamboo (W2COM6163) - 5 Twisted Brushes (2x Ø 10 mm W2COM6162 - 3x Ø 5 mm W2COM6161)
- 1 Premier Maintenance Grease (W2COM6165).



2 ESSENTIAL TOOL KIT



### ORDER INFORMATION

NR.	CODE	DESCRIPTION	QTY.
1	W2KIT55UK	MAINTENANCE COMPLETE TOOL KIT	-
2	930707A0	MAINTENANCE ESSENTIAL TOOL KIT	-
3	W2COM6124	FLAT BRUSHES	(5 pcs./1pk.)
4	W2COM6163	BRUSHES IN BAMBOO	(5 pcs./1pk.)
5	W2COM6125	BIG SURFACE BRUSHES	(3 pcs./1pk.)
6	W2COM6126	BIG TWISTED BRUSHES Ø 15mm	(5 pcs./1pk.)
7	W2COM6162	TWISTED BRUSHES Ø 10mm	(5 pcs./1pk.)
8	W2COM6161	TWISTED BRUSHES Ø 5mm	(5 pcs./1pk.)
9	W2COM6127	TINY TWISTED BRUSHES Ø 3mm	(4 pcs./1pk.)
10	W2COM6128	VERY TINY TWISTED BRUSHES	(4 pcs./1pk.)
11	W2COM6164	CLEANING NEEDLES	(12 pcs./1pk.)
12	930171A0	UNIVERSAL SPANNER	
13	W2COM6129	SPANNER FOR LOCK ADJ. & NEEDLE PACKING	
14	03506480K	ALLEN WRENCHES (for Series 2)	(3 pcs./1pk.)
15	93280881	SPANNER for LPH-80/RG-3L	
16	W2COM6165	PREMIER MAINTENANCE GREASE (20 ml)	
17	13908061	AG-6 AIR DUSTER GUN	

The bristles of all brushes are resistant to solvents and paint thinner and they are ideal to clean all types of spray guns.





## MANUAL WASHING

### KUIK MINI GUN WASHER

#### FEATURES

Kuik mini gun washer is a small, compact and unique water and solvent gun washer machine which is possible to be used inside or outside the spray booth and it is easy to be transported. The gun washer has separate nozzles for internal and external cleaning of the spray gun. It is possible to pre-clean with dirty water or solvent and to do the final wash with clean water or solvent. The gun washer has an aspiration system to avoid that residual gasses remain trapped. An air blow gun is included.

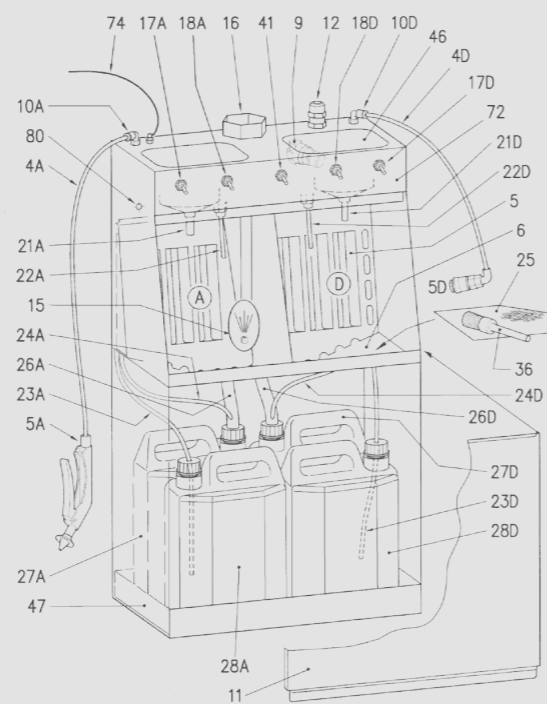
TECHNICAL DATA	
OPERATING PRESSURE	8 bar
TANK CAPACITY	5 lt
DIMENSIONS	450x250x840 mm
MASS	15 kg

#### ORDER INFORMATION

CODE	DESCRIPTION	REF.
IWK-KUIK	KUIK MINI GUN WASHER MANUAL	
10200135-4A	BLOWING GUN SUPPLY AIR HOSE + JOINT	4A
10200135-4D	LOW PRESSURE SUPPLY AIR HOSE (FOR SPRAY GUN) + JOINT	4D
10200135-5A	BLOWING GUN + JOINT	5A
10200135-5D	QUICK JOINT GUN CONNECTION	5D
10200135-9	INNER PRESSURE REGULATOR	9
10200135-11	LOWER DOOR	11
10200135-12	AIR INLET FITTING WITH FILTER	12
10200135-15	VAPOUR SUCTION NOZZLE	15
10200135-17A	CONTROL VENTURI PUMP SWITCH (DIRTY WATER)	17A
10200135-17D	CONTROL VENTURI PUMP SWITCH (DIRTY SOLVENT)	17D
10200135-18A	CONTROL ATOMIZER SWITCH (CLEAN WATER)	18A
10200135-18D	CONTROL ATOMIZER SWITCH (CLEAN SOLVENT)	18D
10200135-21A	VENTURI PUMP (DIRTY WATER AND DETERGENT)	21A
10200135-21D	VENTURI PUMP (DIRTY SOLVENT)	21D
10200135-22A	NEBULIZER (CLEAN WATER AND DETERGENT)	22A
10200135-22D	NEBULIZER (CLEAN SOLVENT)	22D
10200135-23A	NEBULIZER SUPPLY HOSE ZONE A	23A
10200135-23D	NEBULIZER SUPPLY HOSE ZONE D	23D
10200135-24A	VENTURI PUMP SUPPLY HOSE ZONE A	24A
10200135-24D	VENTURI PUMP SUPPLY HOSE ZONE D	24D
10200135-25	WORKTOP GRILLE	25
10200135-26A	DRAIN HOSE ZONE A	26A
10200135-26D	DRAIN HOSE ZONE D	26D
10200135-27A	TANK OF DIRTY WATER AND DETERGENT	27A
10200135-27D	TANK OF DIRTY SOLVENT	27D
10200135-28A	TANK OF CLEAN WATER AND DETERGENT	28A
10200135-28D	TANK OF CLEAN SOLVENT	28D
10200135-36	WASHING BRUSH	36
10200135-41	CONTROL SWITCH VAPOURS SUCTION	41
10200135-72	CONTROL PANEL LABEL	72
1020H2HRE5	AQUAREVIVE DETERGENT 5 lt.	



**Detergent AQUA revive**  
About 0,5 to 1,5 lt per 10 lt. of water



## MANUAL WASHING

### IWK-H2O GUN WASHER

#### FEATURES

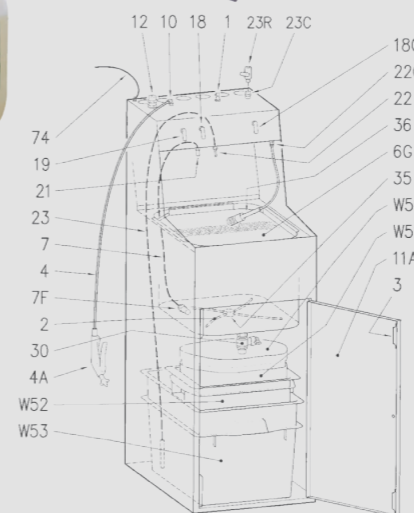
**IWK H2O FOR WATER BASED PAINT ONLY:** a small and cost-effective pneumatically operated machine for manually washing water-based paint from spray guns and small objects. The instruments, located on the front section, make it easy to use. The spray-washer is fitted with a small pump and sprayer which draws clean water from a container located at the bottom of the machine and a second sprayer for final washing which is connected to the company's water supply. A blowing gun then cleans and dries the guns and washed pieces.

TECHNICAL DATA	
OPERATING PRESSURE	6-10 bar
TANK CAPACITY	50 lt. (Stainless Steel)
TANK CAPACITY	70 lt. (lower tank)
DIMENSIONS	450x660x1335 mm
MASS	44 kg

**SEPARATING THE PAINT FROM THE WATER:** the stainless steel washing tank has an internal system that mixes the dirty water with flocculating powder. The water and coagulated colour deposit are then discharged by a valve in the filter bag kit, where solid particles are separated from the water particles. The filtered water can be re-used for washing.



**Detergent AQUA revive**  
About 0,5 to 1,5 lt per 10 lt. of water



#### ORDER INFORMATION

CODE	DESCRIPTION	REF.
10200081	IWK H2O SPRAY GUN WASHER MANUAL	
1020IWKH21	FLOW REGULATOR	1
1020IWKH23	DOOR MAGNET	3
1020IWKH24	AIR FEED HOSE	4
1020IWKH24A	BLOWING GUN	4A
1020IWKH26G	GRILLE	6C
1020IWKH224	PUMP SUPPLY HOSE	7
1020IWKH2H7F	PUMP SUPPLY FILTER	7F
1020IWKH211A	LOWER DOOR	11A
1020IWKH212	AIR INLET FITTING WITH FILTER	12
1020IWKH218K	CONTROL PANEL KIT WITH LEVER	18
1020IWKH218C	CONTROL VALVE KIT WITH LEVER	18C
1020IWKH218CL	ONLY CONTROL LEVER	18CL
1020IWKH221	PUMP	21
1020IWKH222	NEBULISER	22
1020IWKH222C	SPRAY NOZZLE	22C
1020IWKH223	NEBULISER SUPPLY HOSE	23
1020S3723R	WATER FLOW CONTROL VALVE	23R
1020IWKH230	DRAIN VALVE	30
1020IWKH235	AIR DIFFUSER	35
1020IWKH36	WASHING BRUSH	36
1020IWKH237	CONNECTION HOSE FOR WASHING BRUSH	37
1020IWKH2W50B	BAG PRE-FILTERS KIT (5 pcs./1pk.)	W50
1020IWKH2W51B	BAG FILTER	W51
1020IWKW52	CONTAINER (FILTERING +DECANTATION)	W52
1020IWKW53	CONTAINER (for REGENERATED WATER)	W53
1020S37T	SPRAY GUN NOZZLE	T
1020H2HRE5	AQUAREVIVE DETERGENT 5 lt.	



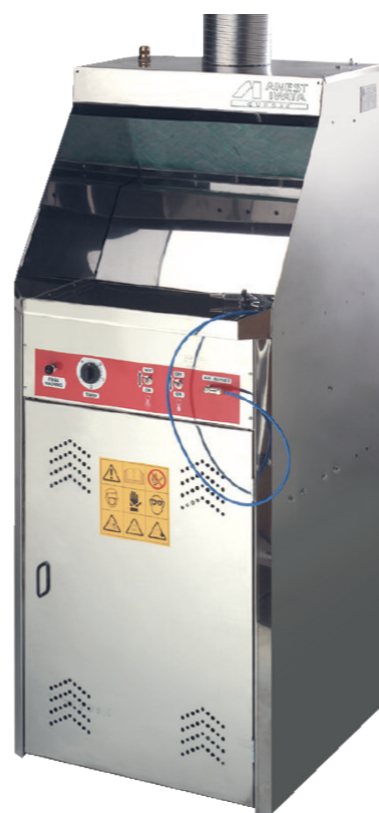
## MANUAL & AUTOMATIC GUN WASHERS

### INOX LINE SOL (SLD)

#### FEATURES

- Stainless steel Electroclean body and tank
- Automatic wash with clean solvent rinse
- Test booth and Venturi exhaust system
- Drying gun
- Possible to connect with a distiller

Manual & Automatic Washing



TECHNICAL DATA	
MASS	63 kg
OPERATING PRESSURE	6~10 bar
DIMENSIONS	600x700x1490 mm
EACH SINGLE TANK CPTY	25 lt.
NO OF GUNS WASHED PER CYCLE	2

#### ORDER INFORMATION

CODE	DESCRIPTION
10200S32	INOX LINE SLD MANUAL & AUTOMATIC GUN WASHER

### INOX LINE IWK SLB & IWK SLC

#### TECHNICAL DATA

MASS	42 kg
OPERATING PRESSURE	6~10 bar
DIMENSIONS	600x700x1100 mm
EACH SINGLE TANK CPTY	25 lt.

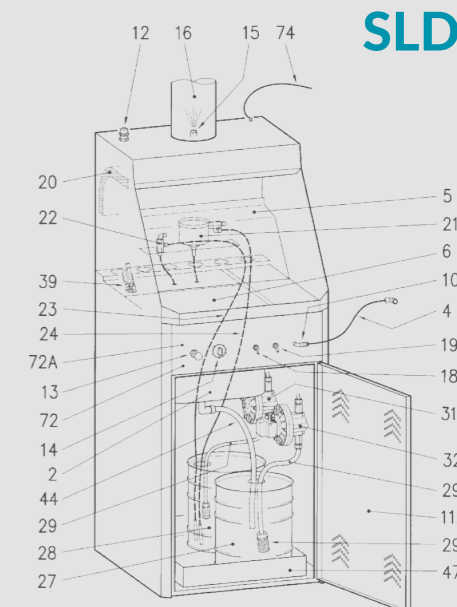


#### ORDER INFORMATION

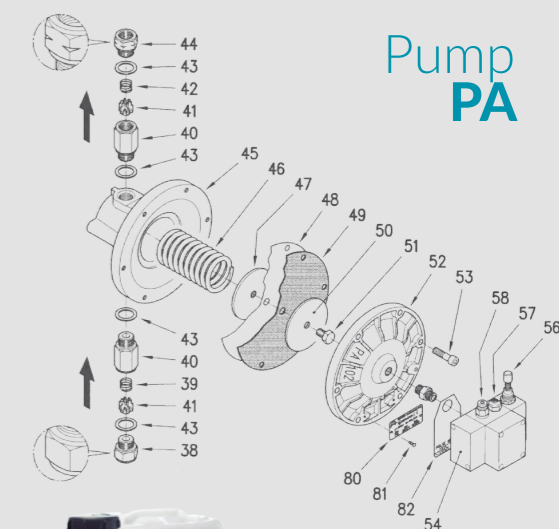
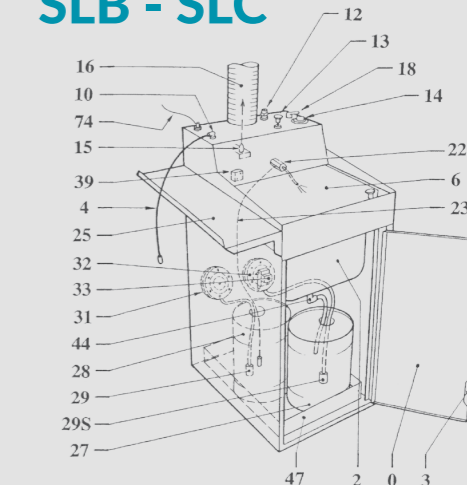
CODE	DESCRIPTION
10200125	IWK SLB GUN WASHER without AUTOMATIC FINAL CLEANING
10200120	IWK SLC GUN WASHER with AUTOMATIC FINAL CLEANING

### SPARE PARTS

CODE	DESCRIPTION	REF.	SLB/C	SLD
1020S32189	FILTER CARTRIDGE ACTIVE CARBON			
1020S0L0	LOWER DOOR	0	X	
1020S0L3	DOOR MAGNET	3	X	
1020S324	AIR FEED HOSE	4		X
1020S0L4	AIR FEED HOSE	4	X	
1020S325	VAPOUR AND AIR CONVEYOR	5		X
1020S3211A	LOWER DOOR	11A		X
1020S3212	AIR INLET FITTING WITH FILTER	12		X
1020S0L12	AIR INLET FITTING WITH FILTER	12	X	
1020S3213	PUSH-BUTTON	13		X
10200219	PUSH-BUTTON	13	X	
1020S3214	TIMER	14		X
1020S0L14	TIMER	14	X	
1020S3215	VAPOUR SUCTION NOZZLE	15		X
1020S0L15	VAPOUR SUCTION NOZZLE	15	X	
1020S3216	VAPOUR EXHAUST PIPE	16		X
1020S0L16	VAPOUR EXHAUST PIPE	16	X	
1020S3218	ATOMIZER CONTROL VALVE	18		X
1020S0L18BK	ATOMIZER CONTROL VALVE	18	X	
1020S0L18L	LEVER	18	X	
1020S3219	CONTROL VALVE PUMP	19		X
1020S3220	DRY FILTER	20		X
1020S3721	PUMP	21		X
1020S3722	NEBULIZER	22	X	X
1020S3223	NEBULIZER SUPPLY HOSE	23		X
1020S0L23	NEBULIZER SUPPLY HOSE	23	X	
1020S3224	PUMP SUPPLY HOSE	24		X
1020S0L25	WORK SURFACE	25	X	
1020S3229	HOSE (CLEAN SOLVENT)	29		X
1020S0L29	HOSE (CLEAN SOLVENT)	29	X	
1020S0L29D	FILTER (CLEAN SOLVENT)	29D		X
1020S0L29F	FILTER (USED DETERGENT)	29F		X
1020S3229F	FILTER (USED DETERGENT)	29F		X
1020S3229S	HOSE (USED DETERGENT)	29S		X
1020S0L29S	HOSE (USED DETERGENT)	29S	X	
1020S0L29F2	FILTER	29S	X	
1020S3231	CLEAN DETERGENT PUMP	31		X
1020S0L31	CLEAN SOLVENT PUMP	31	X	
1020S3232	USED DETERGENT PUMP	32		X
1020S0L32	AUTOMATIC WASHER PUMP	32	X	
1020PA38K	COMPLETE INLET VALVE KIT	38-38A-39-40-41-43	X	X
1020S3239	SAFETY VALVE	39		X
1020S0L39	SAFETY VALVE	39	X	
1020PA44K	COMPLETE OUTLET VALVE KIT	40-41-42-43-44	X	X
1020S3244	DRAIN HOSE	44		X
1020S0L44	DRAIN HOSE	44	X	
1020S3247	COLLECTING TANK	47		X
1020S0L47	COLLECTING TANK	47	X	
1020PA48K	COMPLETE DIAPHRAGM KIT	47-48-49-50-51	X	X
1020PA54K	PNEUMATIC VALVE COMPLETE	54-56-57-58	X	X
1020S3272	CONTROL PANEL ADHESIVE	72		X
1020S3274	EARTH WIRE	74		X
1020S0LD	DRILLED SCREW	D	X	
1020S0LF	CUP SUPPORT	F	X	
1020S32H	WASHING SUPPORT	H		X
1020S0LH	WASHING SUPPORT	H	X	
1020S0LL1	INTERNAL SPRAYER	L/L1	X	
1020S32M	ALUMINIUM HOSE KIT	M		X
1020S0LM	BRASS HOSE KIT	M	X	
1020S32M1	CAPSTAN SCREW	M1		X
1020S32M2	CROSSPIECE JOINT	M2		X
1020S0LN	PROTECTION PLUG	N	X	
1020PA46	STAINLESS STEEL SPRING	PA46	X	X
1020PA57	DISCHARGE SILENCER	PA57	X	X
1020PA58	AIR INLET FITTING	PA58	X	X
1020S32PQ	SPECIAL CLAMP	PQ		X
1020S0LPQ	SPECIAL CLAMP	PQ	X	
1020S32R	NET KNOB IN ALUMINIUM	R		X
1020S32T	NOZZLE	T		X
1020S0LT	NOZZLE	T	X	
1020S32U	ALUMINIUM NET	U		X
1020S32V	SPRAY NOZZLE	V		X
1020S32Z	INTERNAL SPRAY NOZZLE	Z		X
1020S0LZ	JET FOR SUCTION GUNS	Z	X	
1020H2HRE5	AQUAREVIVE DETERGENT 5 lt.			



#### SLB - SLC



**Detergent**  
**AQUA revive**  
About 0,5 to 1,5 lt per 10 lt. of water



## MAGNETIC SUPPORT & GUN HOLDERS

### MAG STAND - Magnetic Support

#### FEATURES

Practical for every bodyshop, fast, flexible and reliable adhesion on all metal surfaces thanks to an extra-strong all-surface magnet.

Hold up to 20 kg (each holder, measured on a clean metal surface).

No cumbersome, wall mount without screws and drilling.

Easy removal from spray both.

Prevent potential accidents.

Significant space savings in working area.



#### ORDER INFORMATION

CODE	DESCRIPTION	REF.
W2COM6052	MAGNETIC SPRAY GUN HOLDER (for 3 Spray Guns)	1
W2COM6120	MAGNETIC SPRAY GUN HOLDER (1 Single Spray Gun)	2
W2COM6093	MAGNETIC ADAPTOR HOLDER (for PPS-RPS Adaptors)	3
W2COM6094	MAGNETIC AIR HOSE HOLDER (Max. Hose length 20 m)	4

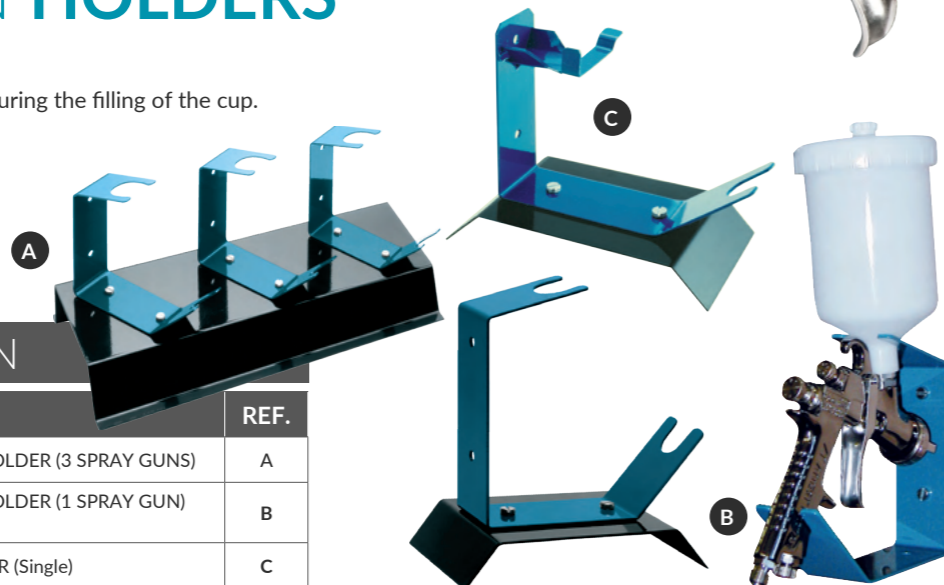
### GRAVITY GUN HOLDERS

#### FEATURES

Suitable to hold Gravity Guns after use or during the filling of the cup.

Available in 3 versions with base:

- Single Central Gravity (wall mountable)
- Multiple Central Gravity (3 places)
- Single Side Gravity.



#### ORDER INFORMATION

CODE	DESCRIPTION	REF.
W2501000500	CENTRAL GRAVITY GUN HOLDER (3 SPRAY GUNS)	A
W2501000100	CENTRAL GRAVITY GUN HOLDER (1 SPRAY GUN) WALL MOUNTABLE	B
W2501000600	SIDE GRAVITY GUN HOLDER (Single)	C

## MAGNETIC SPRAY TESTER

#### FEATURES

Test the spray pattern with the portable magnetic Anest Iwata spray pattern tester and compare regularly compliant tabulated and efficiently the quality of the spray images.

Portable spray pattern tester for regular monitoring of the spray pattern quality

Fast, flexible and reliable adhesion of the spray pattern tester on all metallic surfaces thanks to an extra-strong full-surface magnet.

Easy wall mounting: no drilling, no screws.

Spray pattern tester lid opens downward for more freedom in the spray pattern test

Perfect horizontal alignment by an integrated vial in the spray ruler.

Dimensions: 46 cm (B) x 75 cm (H) x 5 cm (T)



### MAGNETIC SPRAY TESTER

#### ORDER INFORMATION

CODE	DESCRIPTION
W2COM6118EN	MAGNETIC SPRAY TESTER (COMPLETE SET)
W2KIT51	PAPER BLOCKS (2 Blocks of 30 Sheets)
W2COM6151	LEVEL VIAL
W2COM6153	SPRAY RULER

### HOW TO USE



with **SPRAY RULER & LEVEL VIAL**





## AIR FILTER REGULATORS 1/2"

### SINGLE-STAGE

#### FEATURES

- 1 Inlet ball valve 1/2"F (allows removal of filter cartridge without stop compressor operation).
- 1 Filter Regulator: from 0 to 8.5 bar.
- Filtration rating 5μ.
- 1 Pressure Gauge: from 0 to 10 bar.
- 1 Semi-automatic drain valve (to prevent decompression during application).
- 2 Outlet ball valves 1/4"M, with stop valve.
- 1 Wall bracket with 2 mounting holes.
- Filter body and bowl treated with anti-corrosion coated.
- Max. flow rate: 2800 l/min.

### 1/2" SINGLE-STAGE

#### ORDER INFORMATION

CODE	DESCRIPTION
DE120023	AIR FILTER REGULATOR 1/2"F - SINGLE-STAGE 5μ NM
D9250041	FILTRATION CARTRIDGE 5μ NM



### DOUBLE-STAGE

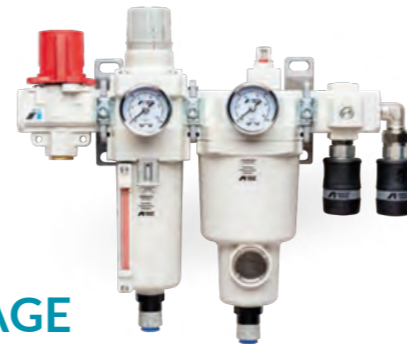
#### FEATURES

- 1 Inlet ball valve 1/2"F (allows removal of filter cartridge without stop compressor operation).
- 1 Filter 3 μ: filtration efficiency 99% with semi-automatic drain valve.
- 1 Air Regulator from 0 to 8.5 bar with pressure gauge from 0 to 10 bar.
- 1 Coalescence filter 0,01 μ: filtration efficiency 99,99% with semi-automatic drain valve.
- 1 Outlet ball valves 1/4"M, with stop valve.
- 1 Outlet quick joint F.
- 1 Wall bracket with 4 mounting holes.
- 1 Saturation indicator.
- Filter body and bowl treated with anti-corrosion coated.
- Usable with 2 or 3 spray guns.
- Max. flow rate: 1000 l/min.

### 1/2" DOUBLE-STAGE

#### ORDER INFORMATION

CODE	DESCRIPTION
DE120024	AIR FILTER REGULATOR 1/2"F - DOUBLE-STAGE
D9250041	FILTRATION CARTRIDGE 3 μ NM
D9250052	FILTRATION CARTRIDGE 0,01 μ NM



### TRI-STAGE

#### FEATURES

- 1 Inlet ball valve 1/2"F (allows removal of filter cartridge without stop compressor operation).
- 1 Filter 3 μ: filtration efficiency 99% with semi-automatic drain valve.
- 1 Air Regulator from 0 to 8.5 bar with pressure gauge from 0 to 10 bar.
- 1 Coalescence filter 0,01 μ: filtration efficiency 99,99% with semi-automatic drain valve.
- Active carbon filter with separation degree <3.5 particles 0,3μ/l air.
- 1 Outlet ball valves 1/4"M, with stop valve.
- 1 Outlet quick joint F.
- 1 Wall bracket with 4 mounting holes.
- 1 Saturation indicator.
- Filter body and bowl treated with anti-corrosion coated.
- Usable with 2 or 3 spray guns.
- Max. flow rate: 1000 l/min.

### 1/2" TRI-STAGE

#### ORDER INFORMATION

CODE	DESCRIPTION
DE120025	AIR FILTER REGULATOR 1/2"F - TRI-STAGE
D9250041	FILTRATION CARTRIDGE 3 μ NM
D9250052	FILTRATION CARTRIDGE 0,01 μ NM
D9250053	ACTIVE CARBON FILTER



## CONDUCTIVE AIR/FLUID HOSES & COUPLINGS

### PREMIUM ANTISTATIC AIR HOSE

#### FEATURES

- Premium ANTISTATIC AIR HOSE with high-strength synthetic textile braid. Available in 12,5 m
- Clamped with fittings and safety quick coupling: air hose is vented in a first step and can then be safely disconnected in the second step
- Very light, flexible in itself, noticeably handier
- Quick coupling (NW 7.2) and nipple in Nickel Plated Brass
- Conductivity: R<MOhm EN1953
- Inner diameter ø 9 mm, outer diameter ø 15 mm
- Max. operating pressure 15 bar



#### ORDER INFORMATION

CODE	DESCRIPTION
001250916P	PREMIUM ANTISTATIC AIR HOSE (12.5 mt)

### CONDUCTIVE TWIN HOSES



#### ORDER INFORMATION

CODE	DESCRIPTION	MT	Air / Fluid	CONNECTION
001004020	CONDUCTIVE TWIN HOSE	2	Air / Fluid	1/4"-1/4"
001004050	CONDUCTIVE TWIN HOSE	5	Air / Fluid	1/4"-1/4"
001004075	CONDUCTIVE TWIN HOSE	7.5	Air / Fluid	1/4"-1/4"
001004100	CONDUCTIVE TWIN HOSE	10	Air / Fluid	1/4"-1/4"
001004150	CONDUCTIVE TWIN HOSE	15	Air / Fluid	1/4"-1/4"

### QUICK COUPLINGS

#### PIVOT QUICK COUPLINGS

#### AIR HOSE FITTING CONNECTORS



AIR HOSE FITTING JOINTS FR o DE



AIR HOSE "L" SWIVEL JOINT



#### ORDER INFORMATION

CODE	DESCRIPTION	QN.
W2KIT41	AIR HOSE FITTING JOINT (FR - small hole)	(5 pz./1pk.)
150016A0	AIR HOSE FITTING JOINT (DE - big hole)	(5 pz./1pk.)
14375800	AIR HOSE "L" SWIVEL JOINT	-
VGRSWF	PIVOT QUICK COUPLING 1/4" F	
VGRSWM	PIVOT QUICK COUPLING 1/4" M	
VL-RUB-F	AIR HOSE FITTING EURO CONNECTOR F 3/8"	
VL-RUB-M	AIR HOSE FITTING EURO CONNECTOR M 3/8"	

# PRESSURE SETTING

## PRESSURE GAUGES

# 7

## DRYING SYSTEMS

### HVC AIR PRESSURE REGULATOR

#### FEATURES

- Air Pressure Gauge/Regulator
- Joints G1/4"
- Body in Anodized Aluminum
- Chromed steel case
- Glass pressure gauge dial
- Measuring range 0-6 bar (pressure resistant up to 12 bar)



#### ORDER INFORMATION

CODE	DESCRIPTION
150003A0	HVC AIR PRESSURE REGULATOR

### HVC-2 AIR PRESSURE REGULATOR

#### FEATURES

- Air Pressure Gauge/Regulator
- Female plug G1/4"
- Anodized aluminium body
- Chrome plated steel gauge case
- Glass clock face
- Control range 0-6 bar (Pressure resistant up to 12 bar)
- Automatic shut off valve



FEMALE PLUG G1/4"



#### ORDER INFORMATION

CODE	DESCRIPTION
150011A0	HVC-2 FLOW REGULATOR

### IMPACT CONTROLLER 2

#### FEATURES

- Air Pressure Gauge/Regulator
- Joints G1/4"
- Body in Anodized Aluminum
- Chromed steel case
- Measuring range 0-10 bar



#### ORDER INFORMATION

CODE	DESCRIPTION
W2012920700	IMPACT CONTROLLER2 - AIR PRESSURE REGULATOR





## INFRARED UNITS

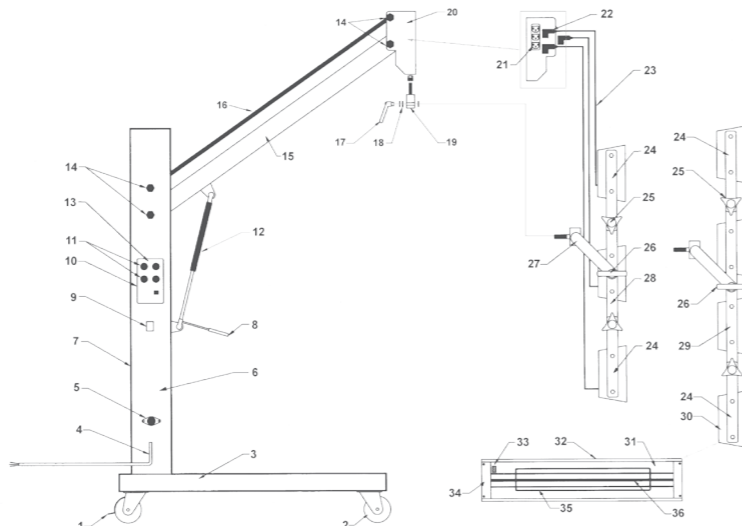


### FEATURES

The use of short wave infrared technology enables body filters, primers and paints to be cured in 10 minutes as opposed to 45 minutes in an oven. Anest Iwata infrared mobile drying systems provide a fast efficient answer for all your local body repairs. Infrared units are a cost effective method of paint drying, and curing can be achieved in just minutes, using the highly effective short wave infrared lamp. Anest Iwata infrared units are available in a number of options.

### ORDER INFORMATION

CODE	DESCRIPTION
<b>HEAT T.E.C. 1000 (1 Kw Series)</b>	
VIU100000	HAND HELD MODEL
VIU100010	HAND HELD MODEL WITH SEPARATE STAND
VIU100010T	HAND HELD MODEL WITH SEPARATE STAND + TIMER
VIU100020	2 HAND HELD MODEL WITH ONE STAND
VIU100020T	2 HAND HELD MODEL WITH SEPARATE STAND + TIMER
<b>HEAT T.E.C. 3000 (3 Kw Series) Coverage Area 800x1000 mm</b>	
VIU100030	MOBILE INFRARED UNIT
VIU100030DSTS	MOBILE INFRARED UNIT + DISTANCE & TEMPERATURE SENSOR
<b>HEAT T.E.C. 4000 (4 Kw Series) Coverage Area 800x1300 mm</b>	
VIU100040	MOBILE INFRARED UNIT
VIU100040DSTS	MOBILE INFRARED UNIT + DISTANCE & TEMPERATURE SENSOR
<b>HEAT T.E.C. 4500 (4.5 Kw Series) Coverage Area 1250x1000 mm</b>	
VIU100045	MOBILE INFRARED UNIT
VIU100045DSTS	MOBILE INFRARED UNIT + DISTANCE & TEMPERATURE SENSOR
VIU300045	MOBILE INFRARED UNIT (THREE-PHASE)
VIU300045DSTS	MOBILE INFRARED UNIT + DISTANCE & TEMPERATURE SENSOR
<b>HEAT T.E.C. 6000 (6 Kw Series) Coverage Area 2000x1000 mm</b>	
VIU100060	MOBILE INFRARED UNIT
VIU100060DSTS	MOBILE INFRARED UNIT + DISTANCE & TEMPERATURE SENSOR
VIU100060DSTS	MOBILE INFRARED UNIT (THREE-PHASE)
VIU300060DSTS	MOBILE INFRARED UNIT + DISTANCE & TEMPERATURE SENSOR



## INFRARED UNIT

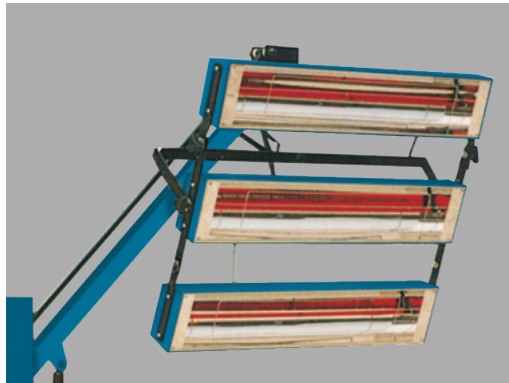


REF.	CODE	DESCRIPTION	220/240 Volt			380/415 Volt		
			3 KW	4 KW	4.5 KW	6 KW	4.5 KW	6 KW
1	VIU991594	CASTOR WITH BRAKE	2	2	2	2	2	2
2	VIU991595	CASTOR WITHOUT BRAKE	2	2	2	2	2	2
3	VIU410010B	U BASE (NO CASTORS)	1	1	1	1	1	1
4	VIU40001L	MAIN CABLE WITHOUT PLUG (240V 3KW/4KW/4.5KW)	1	1	1			
4	VIU60001L	MAIN CABLE WITHOUT PLUG (240V 6KW)				1		
4	VIU630001L	MAIN CABLE WITHOUT PLUG 3 PHASE					1	1
5	VIU363741	TRIAC POWER CONTROL	1	1	1	1	3	3
6	VIU410042	FRONT PANEL METAL COVER ONLY	1	1	1	1	1	1
7	VIU410100B	MAIN UPRIGHT (METAL PART ONLY)	1	1	1	1	1	1
8	VIUGSL	GAS STRUT LEVER	1	1	1	1	1	1
9	VIU41059EUR	MAIN SWITCH 3/4/4.5 KW SINGLE PHASE	1	1	1			
9	VIU311-5256	MAIN SWITCH 6 KW SINGLE PHASE WITHOUT KNOB				1		
9	VIU350-0840	KNOB FOR 6KW SWITCH					1	1
9	VIU332-155	MAIN SWITCH 6KW 3 PHASE				1		
10	VIUHLPPCB-DS	DISTANCE CIRCUIT BOARD MODELS 220/240V	1	1	1	1		
10	VIUHLPPCBXL	TEMP. + DISTANCE CIRCUIT BOARD MODELS 240V	1	1	1	1		
10	VIUHLPPCBXL-P	TEMP. + DISTANCE HEAD CIRCUIT BOARD ALL MODELS	1	1	1	1	1	1
10	VIUHLPPCB	CIRCUIT BOARD SINGLE PHASE	1	1	1	1		
10	VIUHLPPCB-3	CIRCUIT BOARD THREE PHASE					1	1
11	VIU320295	BLACK KNOB FOR CONTROL CIRCUIT BOARD	4	4	4	4	4	4
12	VIUGS	GAS STRUT ONLY 3/4/4.5 KW (WITHOUT LEVER)	1	1	1			
12	VIUGSA	GAS STRUT ONLY 6 KW (WITHOUT LEVER)				1		1
13	VIU410051B	CONTROL PANEL LABEL AI	1	1	1	1	1	1
14	VIU009NC	NUT CAP M12	8	8	8	8	8	8
15	VIU410099B	TOP SUPPORT ARM	1	1	1	1	1	1
16	VIU410098	TOP TIE BAR (ALL MODELS)	1	1	1	1	1	1
17	VIU410078	RATCHET HANDLE	1	1	1	1	1	1
18	VIUM12WSET	WASHERS FOR CASSETTE SUPPORT LOCKING HANDLE	1	1	1	1	1	1
19	VIU410017	SWIVEL BLOCK	1	1	1	1	1	1
20	VIU410018	HEAD	1	1	1	1	1	1
21	VIU410020	QUAD BLOCK SOCKET SINGLE PHASE MODELS	1	1	1	1		
21	VIU23-0117	QUAD BLOCK SOCKET 3 PHASE MODELS					3	3
22	VIU410061	KETTLE PLUG	3	4	3	3	3	3
23	VIU10005	CASSETTE CABLE ASSEMBLY C/W PLUG	3	4	3	3	3	3
24	VIU410076	UNIVERSAL OUTER STRAP	4	4	4	4	4	4
25	VIU410077	TRI KNOB	4	4	4	4	4	4
26	VIU411200	T KNOB	2	2	2	2	2	2
27	VIU410080	OVERHEAD CASSETTE SUPPORT ARM 3KW/4KW	1	1				
27	VIU450012	OVERHEAD CASSETTE SUPPORT ARM 4.5KW				1		1
27	VIU410073	OVERHEAD CASSETTE SUPPORT ARM 6KW			1		1	
28	VIU410075	CENTRE STRAP 3 HEAD	2		2	2	2	2
29	VIU410003	CENTRE STRAP 4 HEAD		2				
30	VIU410074B	BLUE CASSETTE BOX ONLY 3/4/6KW (EMPTY)	3	4		6		6
30	VIU450011B	BLUE CASSETTE BOX ONLY 4.5 KW (EMPTY)			3		3	
31	VIU410071	BACK REFLECTOR 3/4/6 KW	3	4		6		6
31	VIU450016	BACK REFLECTOR 4.5 KW			3		3	
32	VIUHL34CSAA	CASSETTE ASSEMBLY COMPLETE (NO LAMP) 3/4 KW	3	4				
32	VIUHL4500CAA	CASSETTE ASSEMBLY COMPLETE (NO LAMP) 4.5 KW			3		3	
33	VIU410081	CASSETTE ON/OFF SWITCH	3	4	3	6	3	6
34	VIU420070	END REFLECTOR	6	8	6	12	6	12
35	VIU410069	CASSETTE GUARD 3/4/6 KW	3	4		6		6
35	VIU450013	CASSETTE GUARD 4.5 KW			3		3	
	VIU900300	1KW TUBE 300 MM 220/240 VOLT						
36	VIU900500	1KW TUBE 500 MM 220/240 VOLT	3	4		6		6
36	VIU900750	1.5KW TUBE 750 MM 220/240 VOLT			3		3	
	VIU101	HAND HELD STAND WITH SLIDER BRACKET						
	VIU103	TIMER ONLY FOR STAND MOUNTED						
	VIU104	PLUG FOR STAND MOUNTED TIMER (EACH)						
	VIU404	CONTROL BOARD FOR DISTANCE SENSOR MODELS						
	VIU406	DIGITAL READ OUT PANEL FOR DISTANCE SENSOR						
	VIU408	DIGITAL SENSOR UNIT						
	VIU410014	BOLT FOR CASTOR M10						
	VIU410015	NUT FOR CASTOR M10						
	VIU410016	LOCKING WASHER FOR CASTOR M10						
	VIUF5500M	FUSE 500 MA						
	VIU102	SLIDER BRACKET FOR HAND HELD						
	VIUHAN1	HANDLE FOR HAND HELD						
	VIUGRP1	GRIP FOR HAND HELD MODEL						
	VIU10001	HAND HELD CABLE WITHOUT PLUG						

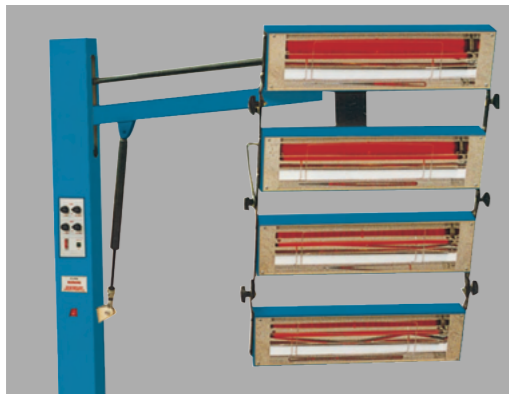
SERIE 1Kw



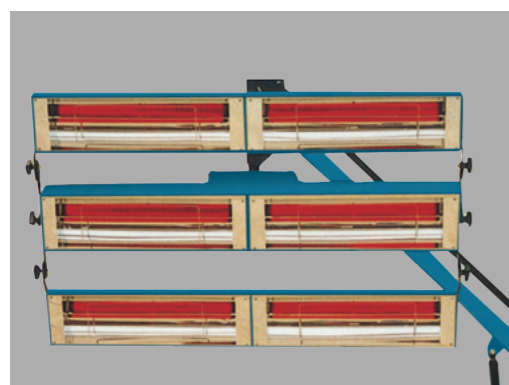
SERIE 3 Kw



SERIE 4 Kw



SERIE 6 Kw



## ADG-1B AQUADRY PAINT DRYER GUN

### AQUADRY KIT IS A VERSATILE SYSTEM TO SPEED UP THE DRYING PROCESS OF WATER BASED COATINGS

Its exclusive configuration provides an extremely uniform air flow system, which considerably reduces the drying time of the painted surfaces, thanks to the considerable acceleration of the water evaporation contained in the paints. The control of the air volume produced by the gun is about 6 times its air consumption. The use of a single device is particularly suitable for small areas, while the system mounted on the stand is particularly suitable for larger surfaces and commercial vehicles.

#### FEATURES

- Guns are provided with quick couplings which allow fast disassembly
- Air regulator included
- 2 Guns are easily and independently adjustable (height from 0 to 210 cm)
- Each gun can be used independently
- The stand has a slide and lock height adjustment.
- Gun brackets can be moved along the length of the arm and positioned to suit, max adjustable 80 cm
- Sturdy and dismountable steel base with rubber foot 62x62 cm
- Venturi air entrainment increases air flow by 6:1

#### TECHNICAL DATA

- Max. pressure: 7 bar
- Max. air consumption: 2 x 600 lt./min



## AI JET FLAT AIR NOZZLE DRYER

#### FEATURES

The AI JET Flat Fan Air Nozzles series are ideal to be used for the processes of drying and curing of water-based paints.

The flow of compressed air, passes through the nozzle and it is distributed through 16 holes (ø 1.5 mm), ensuring a wide range of air distribution and an excellent uniformity in the drying process.

The ergonomic design and its small dimensions, allow its use even in very small spaces.

The use of the AI JET air nozzles reduces the consumption of compressed air than other systems and allows the drying process in shorter times on surfaces of small and medium size, as well as a considerable reduction in noise.

AI JET is supplied with ball valve and quick coupling joint M.

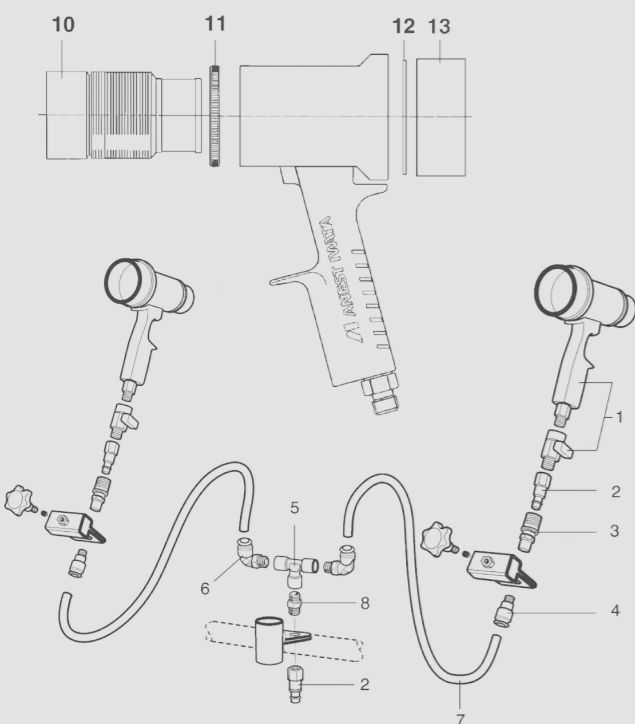
#### TECHNICAL DATA

- Noise Level: 70 db (A) at 2 bar
- Air Consumption: 18 m<sup>3</sup>/h at 2 bar
- Max. Pressure: 6 bar
- Max. Temperature: 50°C



Pattern of **DISTRIBUTION** through **AIJET** Nozzle Holes

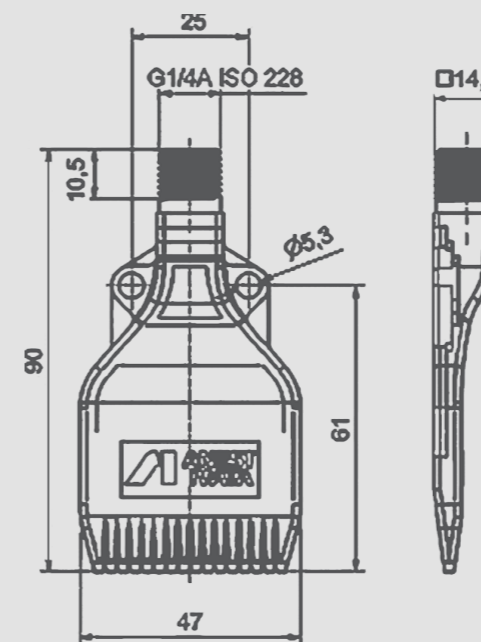
### AIR NOZZLE



### ORDER INFORMATION

CODE	DESCRIPTION	REF.
UIKIT60100	AQUADRY SET (STAND, HOSES + 2 DRYER GUNS)	
13908402	AQUADRY PAINT DRYER GUN ADG-1B	1
W2COM6096	QUICK JOINT MALE BRASS G-1/4"M	2
W2950291400	QUICK JOINT FEMALE BRASS G-1/4"F	3
UL300312	QUICK JOINT 1/4" M - ø10	4
UL300300	"T" JOINT 1/4" FFF	5
UL300309	"L" QUICK COUPLING 1/4" M - ø10	6
00100032	AIR HOSE 10X8	7
UL30010501	SPECIAL NIPPLE R. 1/4"- G1/4"	8
VIEAQ005	STAND ONLY	9
93453450	NOZZLE	10
93454450	NUT	11
93451460	SCREEN FILTER	12
93455461	COVER	13

### DIMENSIONS



### ORDER INFORMATION

CODE	DESCRIPTION
W2COM6214	AI JET AIR NOZZLE DRYER SET
W2COM6235	AIR NOZZLE
150016A0	QUICK COUPLING JOINT SET M1/4" F (5 pcs./1 pk.)





## DEMO TROLLEY

## DEMO TROLLEY

**ANEST IWATA Demo trolley** is a practical and lightweight trolley to tow, perfect for protecting your valuable tools. Externally is made of sturdy and shockproof plastic material, durable but lightweight with a professional design. The inside is a foam lined safe housing which can snugly fit five spray guns. In addition, there are spaces cut out of foam designed to preserve the enclosures that can contain both the fluid nozzle and needle sets and the air cap sets, such as: 15 rotating telescopic enclosures to protect fluid needles and fluid nozzles and 7 enclosures with lid to protect the air caps.

### FEATURES

Demo trolley is flexible to be equipped and also suitable for spray guns and accessories from other manufacturers, it is structured with:

- 5 places for spray guns
- 2 places for mini spray guns
- 2 places for pressure gauges
- 1 place for gravity cup 70 ml
- 1 big place with a shapeable foam for bulky items (as gravity cups or cleaning tools)

### TECHNICAL DATA

Dimensions: 604 (W) x 473 (D) x 283 (H) mm  
 Empty weight: 9 kg  
 IP 67 classification; 100% recyclable material

### ORDER INFORMATION

CODE	DESCRIPTION
VPATR-IW01	DEMO TROLLEY CASES KIT
VROTRPACK	CASES KIT SINGLE (22 parts)

Spray guns are not included in Demo trolley.

### CASES KIT



7x Case

15x Telescopic twist case for nozzle/needle

5x Spray guns

2x Small Spray guns  
 2x Pressure Gauges  
 1x Gravity cup 70 ml

**Flexibly equipped**  
 Gravity cups & Cleaning kits  
 Bulky parts  
 Shapeable foam



# OTHER ACCESSORIES

## AZ PVA TN UNDERCOAT SPRAY GUN

### FEATURES

Undercoat gun to be used with pre-packed paintpot or cartridge  
 With suction feed

### ORDER INFORMATION

CODE	DESCRIPTION
W0012200000	UNDERCOAT SPRAY GUN



## MARKER CAPS

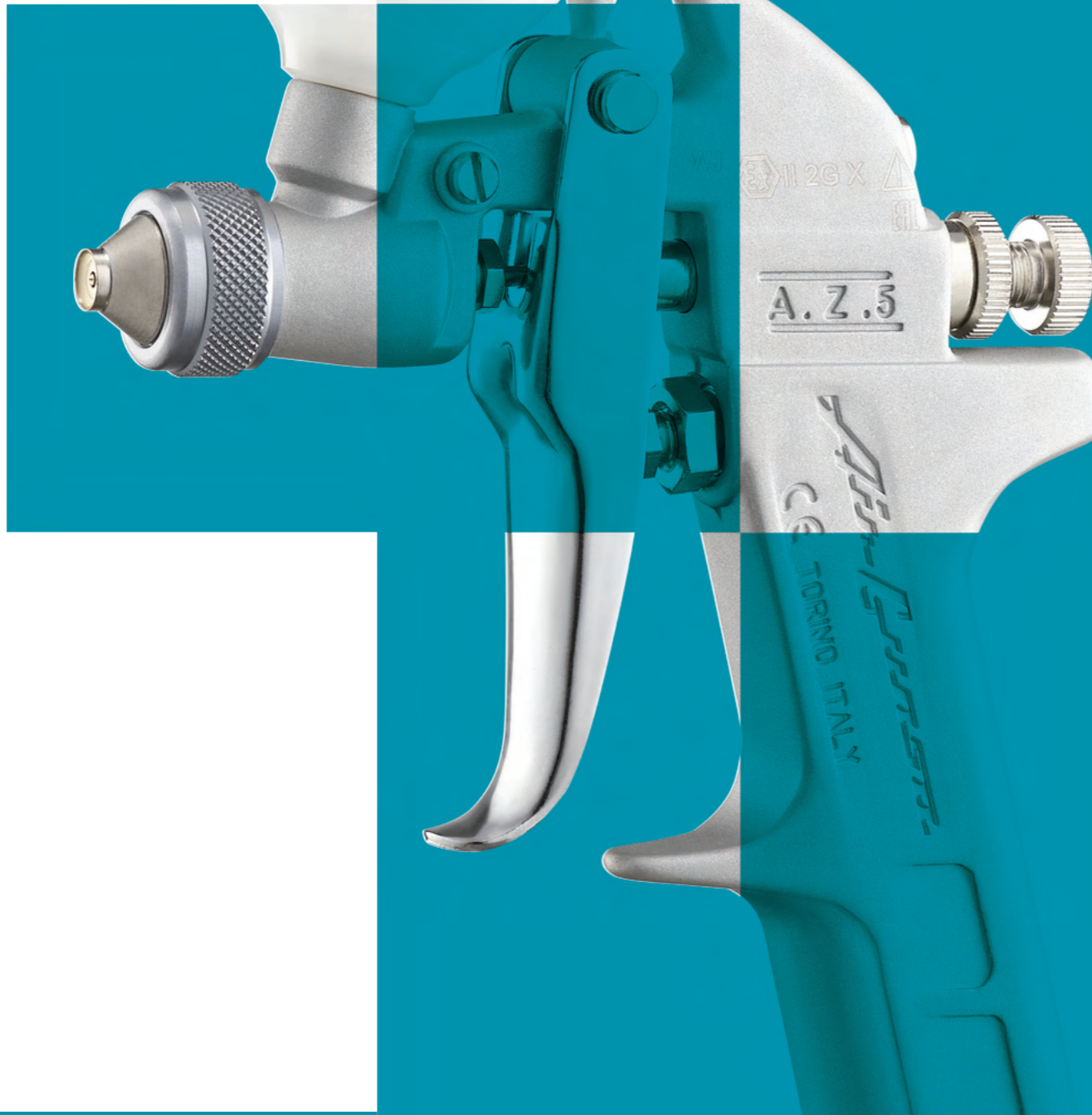
### FEATURES

Marker caps for individual labeling of spray guns

### ORDER INFORMATION

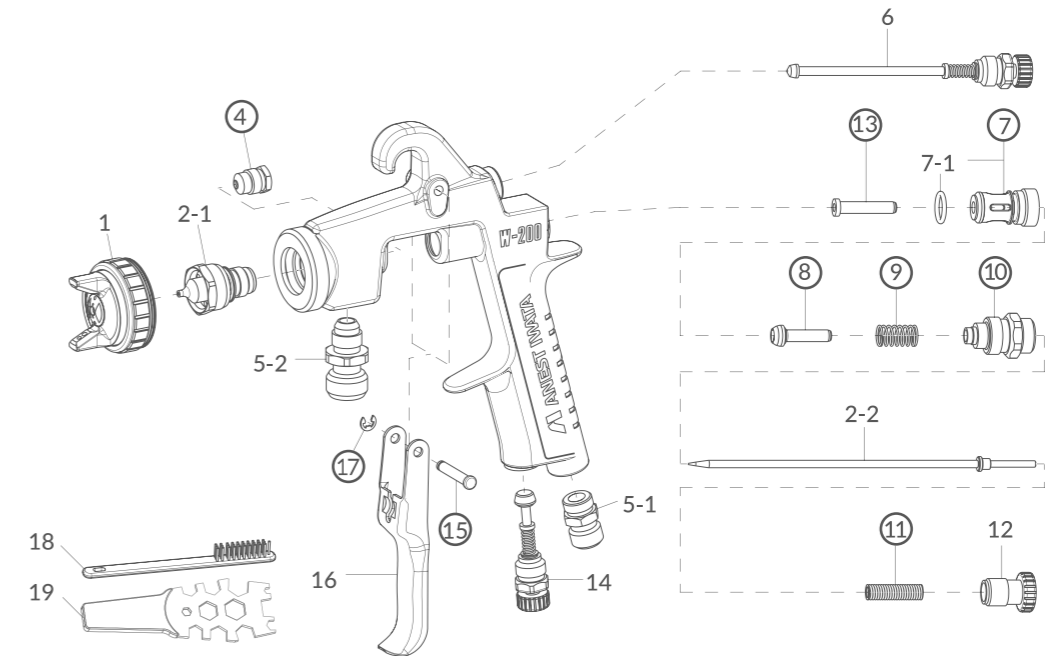
CODE	DESCRIPTION
93710530	MARKER CAPS (5 pcs./1 pk.) (yellow, green, red, black, blue)





## SPARE PARTS

## W-200 SERIES PRESSURE &amp; SUCTION



CODE	DESCRIPTION	QTY.	REF.
93640620	AIR CAP SET (WBS1)	ø 0.8/1.0/1.2/1.4	1
93609620	AIR CAP SET (WB1)	ø 0.8/1.0/1.2/1.4	1
93606620	NOZZLE + NEEDLE SET	ø 0.8	
93612620	NOZZLE + NEEDLE SET	ø 1.0	2-1
93616620	NOZZLE + NEEDLE SET	ø 1.2	2-2
93643620	NOZZLE + NEEDLE SET	ø 1.4	
93818610B	AIR CAP SET (G2P)	ø 0.8/1.0/1.2	1
93830610B	AIR CAP SET (LV2)	ø 0.8/1.0/1.2/1.5	1
93889610	NOZZLE + NEEDLE SET	ø 0.8	
93890610	NOZZLE + NEEDLE SET	ø 1.0	2-1
93891610	NOZZLE + NEEDLE SET	ø 1.2	2-2
93822610	NOZZLE + NEEDLE SET	ø 1.5	
93624620	AIR CAP SET (WB2)	ø 0.6/1.8	1
93622620	NOZZLE + NEEDLE SET	ø 0.6	2-1
93635620	NOZZLE + NEEDLE SET	ø 1.8	2-2
93830610B	AIR CAP SET (LV2)	ø 1.4	
93816610B	AIR CAP SET (K2)	ø 1.5/1.8	1
93814610B	AIR CAP SET (R2)	ø 2.0	
93813610B	AIR CAP SET (W1)	ø 2.0	
93831610	NOZZLE + NEEDLE SET	ø 1.4	
93822610	NOZZLE + NEEDLE SET	ø 1.5	
93821610	NOZZLE + NEEDLE SET	ø 1.8	2-1
93820610	NOZZLE + NEEDLE SET	ø 2.0	2-2
93819610	NOZZLE + NEEDLE SET	ø 2.0	
93507700	SPECIAL NEEDLE with TIP in Delrin	ø 0.8/1.0/1.2	2-2
W-200-X17-1	NEEDLE TIP in Delrin	ø 0.8/1.0/1.2	

CODE	DESCRIPTION	REF.
03810620	NEEDLE PACKING SET	4
03660300	AIR NIPPLE	5-1
03515600	FLUID NIPPLE	5-2
93840601	PATTERN ADJ. SET	6
03843530	AIR VALVE SEAT	7
06638008	O'RING	7-1
03591530	AIR VALVE	8
03719530	AIR VALVE SPRING	9
93844532	FLUID ADJ. GUIDE SET	10
03593530	FLUID NEEDLE SPRING	11
93594532	FLUID ADJ. KNOB	12
93935430	AIR VALVE SHAFT	13
93845531	AIR ADJ. SET	14
93625371	PLUG (W200 S)	14-1
93014500	TRIGGER SET	16
03708240	AIR CAP PACKING (WHITE)	
03512600	AIR CAP "L" PACKING (BLACK)	
W2COM6190	REPAIRING KIT 2 (includes: air valve seat set, air valve, air valve spring, fluid needle spring, air valve shaft, fluid adj. guide set, trigger stud, e-stopper, needle packing cartridge).	
14018621	PCL 10 B3 SUCTION CONTAINER 1 lt.	
04904281	CONTAINER FOR PCL 10 B3	
04904302	NON DRIP SET FOR PCL 10 B3 (2pcs./1 pk.)	
94008300	LID PACKING SET FOR PCL 10 B3 (2 pcs./1 pk.)	
04904311	FILTER 30 MESH FOR PCL 10 B3	
14018200	PC 12 SUCTION CONTAINER 1 lt.	
04002200	PACKING FOR PC 12	

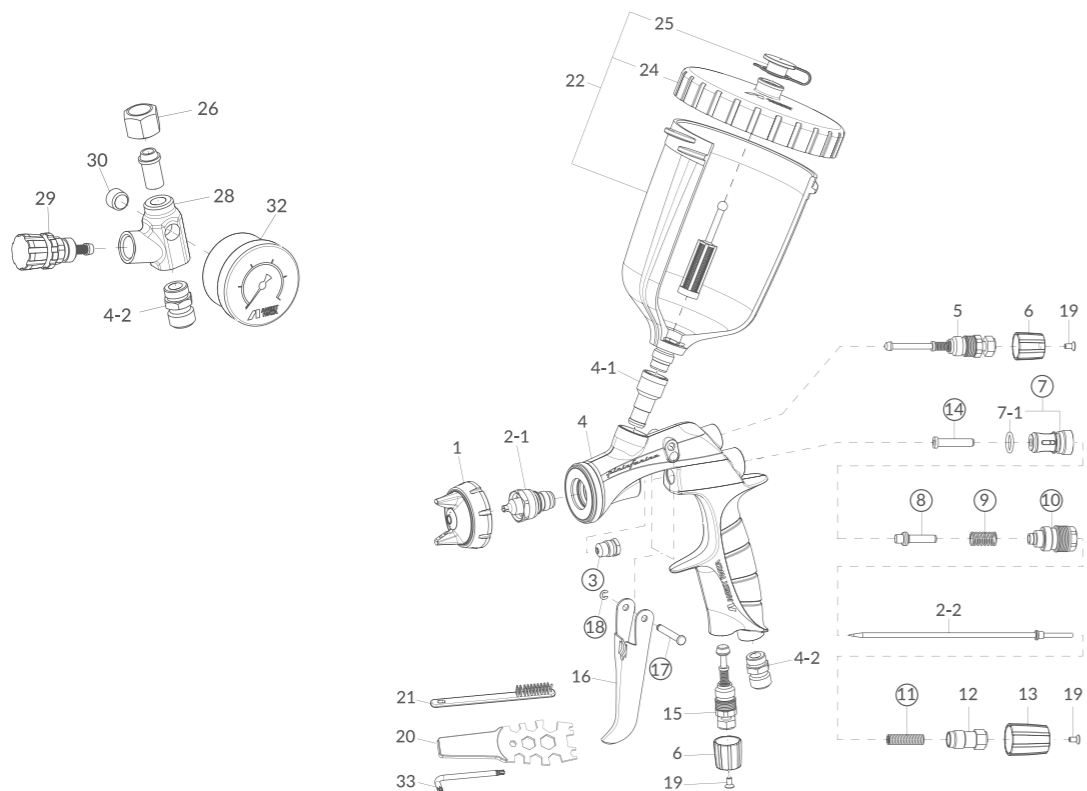


# SPARE PARTS

## WS-400 EVO CLEAR | LS-400 ENTECH (HVLP) | WS-400 EVO BASE



PROFESSIONAL COATING EQUIPMENT SPECIALIST



REF.	CODE	DESCRIPTION
3	03810620	NEEDLE SEALING CARTRIDGE (COMPLETE)
4-1	93505421	FLUID NIPPLE
4-2	03660300	AIR NIPPLE
5	93505432	PATTERN ADJ. SET
	93505471	CAP SMALL (chrom) WS-400 CLEAR
6	93512290	CAP SMALL (green) LS-400 ENTECH
	93506462	CAP SMALL (gold) WS-400 BASE
7	03843530	AIR VALVE SEAT SET
7-1	06638008	O-RING
8	93505480	AIR VALVE
9	03719530	AIR VALVE SPRING
10	93505492	FLUID ADJ. GUIDE SET
11	03593530	NEEDLE SPRING
12	93505823	FLUID ADJ. SCREW SET
	93505831	CAP BIG (chrom) WS-400 CLEAR
13	93512730	CAP BIG (green) LS-400 ENTECH
	93506472	CAP BIG (gold) WS-400 BASE
14	93935430	AIR VALVE SHAFT
15	93505842	AIR ADJ. SET
16	93505850	TRIGGER
17	93505860	TRIGGER STUD
18	96612025	E STOPER
	93506970K	COUNTERSUNK SCREW (chrom) WS-400 CLEAR (3 pcs./1 pk.)
19	93512740K	COUNTERSUNK SCREW (zielony) LS-400 ENTECH (3 pcs./1 pk.)
	93506980K	COUNTERSUNK SCREW (zloty) WS-400 BASE (3 pcs./1 pk.)

REF.	CODE	DESCRIPTION
	93506970K	COUNTERSUNK SCREW (chrom) WS-400 CLEAR (3 pcs./1 pk.)
19	93512740K	COUNTERSUNK SCREW (zielony) LS-400 ENTECH (3 pcs./1 pk.)
	93506980K	COUNTERSUNK SCREW (zloty) WS-400 BASE (3 pcs./1 pk.)
20	930171A0	UNIVERSAL SPANNER
21	W2COM6163	BRUSHES (5 pcs./1 pk.)
22	14019100	PC-G600P-2 600 ml GRAVITY CUP
24	94011220	GRAVITY CUP COVER
25	94011230	NON DRIP
	14378610	AIR PRESSURE REGULATOR AFV-1
26	94017021	SEALING NUT
28	94006231	AIR REGULATOR MAIN BODY
29	94006240	AIR FLOW ADJUSTMENT KNOB AVF-1
30	96990425	PLUG
32	W3COM6065	MANOMETER
33	03506480K	TORX ALLEN KEY WRENCH T10 (3 pcs.)

### ACCESORIES & OPTIONS

CODE	DESCRIPTION
93505330	AIR CAP SEAL (white)
93505341	AIR CAP SEAL (black)
W2KIT55UK	CLEANING KIT
W2COM6189	REPAIR KIT (1): (includes: valve stem, air valve shaft, air valve, air valve spring, needle adjustment guide, needle spring, needle packing, trigger stud, retaining ring)
94011240	FILTER 60 Mesh (250µ) (optional)

### EUROPE

ANEST IWATA Strategic Center S.r.l.  
Cardano al Campo (VA) - ITALY  
info@anest-iwata-st.com  
www.anest-iwata-coating.com

ANEST IWATA Deutschland GmbH  
Leipzig - GERMANY  
info@anest-iwata-de.com  
www.anest-iwata-coating.com

ANEST IWATA France S.A.  
Saint Quentin Fallavier, Lyon - FRANCE  
info@anest-iwata-fr.com  
www.anest-iwata-coating.com

ANEST IWATA U.K. Ltd.  
St. Neots Cambridgeshire - ENGLAND  
info@anest-iwata-uk.com  
www.anest-iwata-coating.com

ANEST IWATA Iberica S.L.U.  
Saint Adrià del Besos Barcelona - SPAIN  
info@anest-iwata-ib.com  
www.anest-iwata-coating.com

ANEST IWATA Scandinavia AB.  
Partille, Göteborg - SWEDEN  
info@anest-iwata-se.com  
www.anest-iwata-coating.com

ANEST IWATA Polska Sp. Z o.o.  
Jasin / Swarzędz - POLAND  
info@anest-iwata-pl.com  
www.anest-iwata-coating.com

### NORTH AMERICA

ANEST IWATA Americas, INC.  
West Chester - Ohio - U.S.A.  
inquiry@anestiwata.com  
www.anestiwata.com

### MÉXICO

ANEST IWATA México, S.De R.L.De C.V.  
Guanajuato - MÉXICO  
info@anestiwatamexico.com  
www.anestiwatamexico.com

### BRAZIL

AIRZAP-ANEST IWATA INDÚSTRIA COMÉRCIO Ltda.  
Sao Paulo - BRAZIL  
contato@anest-iwata.net.br  
www.anest-iwata.net.br

### RUSSIA

ANEST IWATA Russia LLC  
Moscow - RUSSIA  
tam@anestiwata.ru  
www.anestiwata.ru

### AUSTRALIA

ANEST IWATA Australia Pty Ltd.  
Sidney - AUSTRALIA  
info@anest-iwata.com.au  
www.anest-iwata.com.au

### SOUTH AFRICA

ANEST IWATA South Africa Pty Ltd.  
Johannesburg - REPUBLIC OF SOUTH AFRICA  
www.anest-iwata.co.za

### ASIA

ANEST IWATA KOREA Corporation  
Ansan City - KOREA  
inquiry@aikr.co.kr - www.aikr.co.kr

ANEST IWATA Motherson Coating Equipment Ltd.  
Noida - INDIA  
sales@aim.motherson.com  
www.motherson.com  
anest-iwata-motherson.html

ANEST IWATA Shanghai Corporation  
Shanghai - CHINA  
customer@anest-iwata-sh.com  
www.anest-iwata-sh.com

ANEST IWATA Vietnam CO. Ltd.  
Ho Chi Minh City - VIETNAM  
info@anest-iwata.vn  
www.anest-iwatasoutheastasia.com

PT. ANEST IWATA Indonesia  
Jakarta - INDONESIA  
www.anest-iwatasoutheastasia.com

ANEST IWATA Southeast Asia CO. Ltd.  
Bangkok - THAILAND  
info@anest-iwata.co.th  
www.anest-iwatasoutheastasia.com

### HEADQUARTER

ANEST IWATA Corporation  
Yokohama - JAPAN  
www.anest-iwata.co.jp

ANEST IWATA Strategic Center S.r.l.  
Cardano al Campo (VA) - ITALY  
info@anest-iwata-st.com  
www.anest-iwata-coating.com

SPRAY GUNS & ACCESSORIES FOR  
**CAR REFINISH**  
**2025 PRICELIST**

