

# SPRAY GUNS & ACCESSORIES FOR AIRGUNSA



# 2025 CATALOGUE

**Air-GunSA**  
ANEST IWATA Group

PROFESSIONAL COATING EQUIPMENT SPECIALIST





# PASSION FOR PAINTING

We are passionate about painting and eager about creating; for this, we design spray guns which help you to cross any boundary.

YOUR CUSTOMERS, OUR MISSION.



## GROUP

Anest Iwata carries more than 90 years-experience in the coating industry, combining the most sophisticated Japanese craftsmanship tradition to the continuous search for leading-edge technology.

## PASSION & PERFORMANCE

As a global group we aim to deliver the most technically advanced spraying equipment on the market. When designing our products we think about highly professional and creative individual who have passion for painting and are looking for the greatest performance. With this in mind we always try to reach for the highest standards of sophistication, creativity and technical realization.

## A WIDE RANGE

Our range of products varies from several spray guns lines, pumps and painting accessories, projected ad hoc for different paint application and to satisfy the customer in his research for the best solution.

## CUSTOMER ORIENTED

The automotive refinish, together with the industrial and the wood sector are only few of the areas in which the Anest Iwata experience has found its appreciation between the users, not only for the excellence of our tools, but also for the attentive service our customers can count on. Anest Iwata effort in providing the best results in performance is also conceived for the optimization of the resources and materials in the optic of begin environmental-friendly.



*Air Gun*  
ANEST IWATA Group

JAPANESE  
HERITAGE  
&  
PIONEER  
MINDS



# SPRAY GUNS & ACCESSORIES FOR AIRGUNSA



Whether it's a first installation, a self-repair or a small retouch (spot repair) Anest Iwata has always been the point of reference for professional painters. The experience in the development of varnishing guns for the automotive sector has strengthened its image over time.

## INDEX

### 1. MANUAL SPRAY GUNS

#### GRAVITY SPRAY GUNS

AZ3 HTE-S IMPACT.....10

AZ3 HTE 2 SERIES.....12

AZ4 HTE-S IMPACT JUNIOR.....14

#### PRESSURE AND SUCTION SPRAY GUNS

AZ1 HTE 2P & AZ1 HTE 2S.....16

#### GRAVITY SPRAY GUN WITH PRESSURIZED CUP

AZ3 HTE P.A.S. CONCEPT .....18

### 2. GRAVITY CUPS & FILTERS

GRAVITY CUPS.....22

UV CUPS.....23

### 3. GENERAL ACCESSORIES

#### HEALTH PROTECTION

ANEST IWATA OVERALL.....26

#### VISIONSHIELD SERIES

GOGGLES & GLASSE.....27

VIPER HALF FACE GUARD MASK.....28

AIRFED 2020 FULL FACE MASK.....29

MAG STAND MAGNETIC SUPPORTS & GUN HOLDER.....30

IMPACT CONTROLLER 2.....31

### 4. GARAGE EQUIPMENT

AZ PVA | AZ PVA TN.....34

P6 | PL6 | AE7.....35

S8 | SP8.....36

ST | ST 1 | ST 1S.....37

#### ICONS LEGEND

NOZZLE SIZE

AIR CAP SET

AIR PRESSURE

FLUID OUTPUT

AIR CONSUMPTION

PATTERN WIDTH

# 1

## MANUAL SPRAY GUNS



# GRAVITY SPRAY GUN

## AZ3 HTE-S Impact

### STANDARD QUALITY

#### FEATURES

- High quality filler spray gun
- Flat & Thin™ spray pattern with fine atomization
- All fluid passages are in stainless steel
- Trigger easy to dose
- Simple operation of the control knobs, for right and left handers
- Costs for spare parts replacement extremely customer friendly

HOMOGENEOUS and FINE **ATOMIZATION**  
**HTE-S IMPACT**  
 HIGH PERFORMANCE SPRAY TECHNOLOGY

**Impact**  
 AZ3 HTE-S  
**BLACK VERSION**



| TECHNICAL DATA   | Ø mm | No.    | bar | m <sup>3</sup> /min | N <sub>2</sub> /min | mm  |
|------------------|------|--------|-----|---------------------|---------------------|-----|
| AZ3 HTE-S IMPACT | 1.2  | HTE-S1 | 2.0 | 240                 | 375                 | 190 |
|                  | 1.3  |        |     | 275                 |                     | 210 |
|                  | 1.4  |        |     | 290                 |                     | 230 |
|                  | 1.6  | HTE-S2 |     | 300                 | 362                 | 250 |
|                  | 1.8  |        |     | 335                 |                     | 270 |
|                  | 2.0  |        |     | 375                 |                     |     |

• Air nipple: G1/4" • Fluid nipple: G1/4"



**CHROMED VERSION**



**CARTON BOX**  
 AZ3 HTE-S Impact Spray Gun  
 PCG-6P-2 AZ CUP - 600 ml  
 Universal Spanner

### ORDER INFORMATION

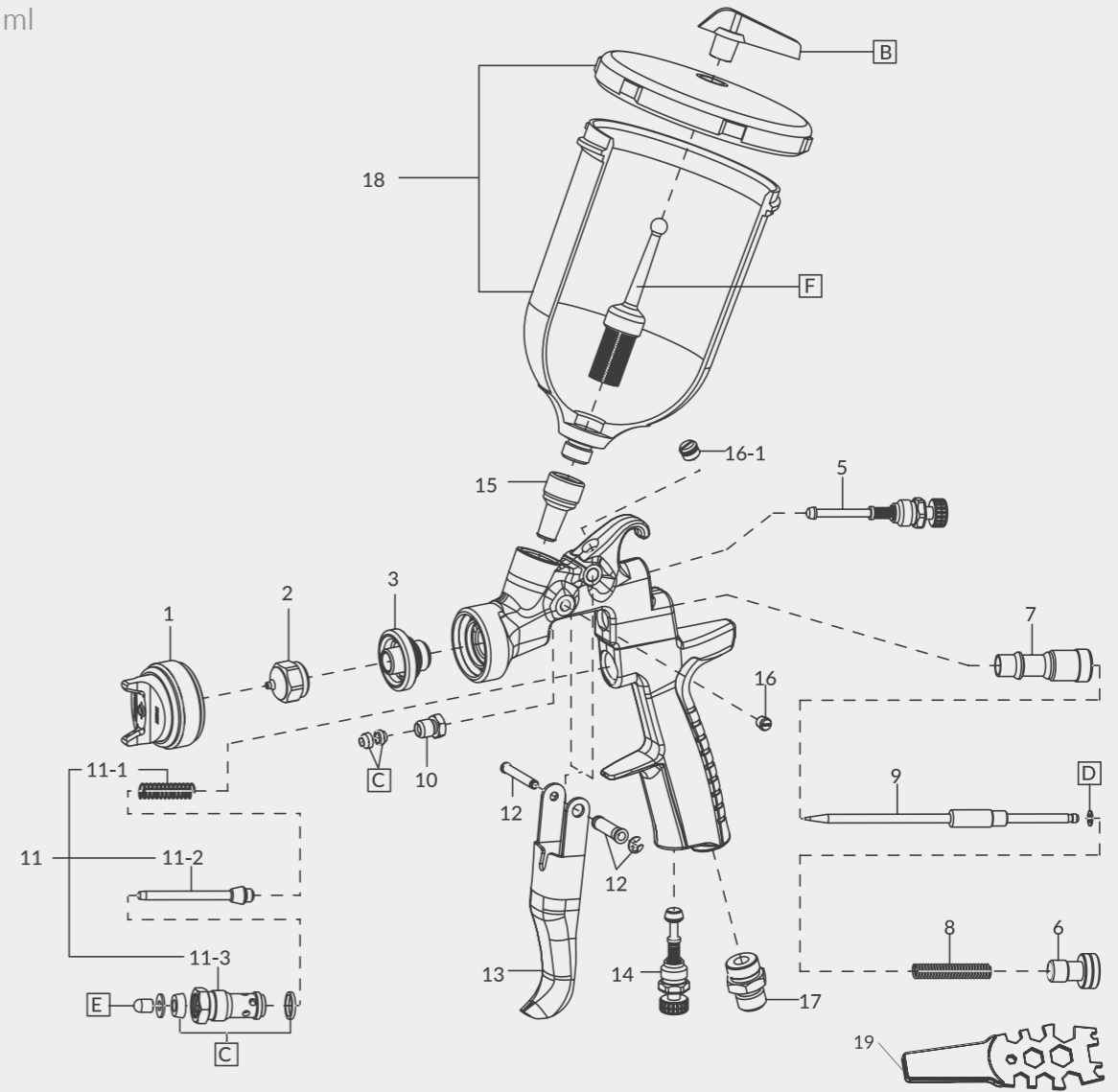
|                                   | Ø 1,2        | Ø 1,3        | Ø 1,4        |
|-----------------------------------|--------------|--------------|--------------|
| AZ3 HTE-S IMPACT - Black Version  | W0SPG90AG12C | W0SPG90AG13C | W0SPG90AG14C |
| AZ3 HTE-S IMPACT - Chrome Version | W0SPG91AG12C | W0SPG91AG13C | W0SPG91AG14C |
| AIR CAP SET (HTE-S1)              | W2CAP90AG12  |              |              |
| FLUID NOZZLE + FLUID NEEDLE SET   | W2ADU90AG12  | W2ADU90AG13  | W2ADU90AG14  |

|                                   | Ø 1,6        | Ø 1,8        | Ø 2,0        |
|-----------------------------------|--------------|--------------|--------------|
| AZ3 HTE-S IMPACT - Black Version  | W0SPG90AG16C | W0SPG90AG18C | W0SPG90AG20C |
| AZ3 HTE-S IMPACT - Chrome Version | W0SPG91AG16C | W0SPG91AG18C | W0SPG91AG20C |
| AIR CAP SET (HTE-S2)              | W2CAP90AG16  |              |              |
| FLUID NOZZLE + FLUID NEEDLE SET   | W2ADU90AG16  | W2ADU90AG18  | W2ADU90AG20  |

## PCG-6P-2-AZ

GRAVITY  
 CUP  
 600 ml



### SPARE PARTS

| REF. | CODE                   | DESCRIPTION                     | QTY.            |
|------|------------------------|---------------------------------|-----------------|
| 1    | see table on left page | AIR CAP SET                     |                 |
| 2+9  | see table on left page | FLUID NOZZLE + FLUID NEEDLE SET |                 |
| 3    | W3COM3050              | NOZZLE HOLDER                   |                 |
| 5    | 93842601               | PATTERN ADJ. SET                |                 |
| 6    | W2COM6077              | FLUID NEEDLE ADJ. KNOB          |                 |
| 7    | W2010140900            | FLUID NEEDLE GUIDE              |                 |
| 8    | W2010140800            | FLUID NEEDLE SPRING             |                 |
| 10   | W2010140600            | FLUID NEEDLE PACKING NUT        |                 |
| 11   | W2COM6080              | AIR VALVE SET                   |                 |
| 11-1 | W2010141700            | AIR VALVE SPRING                |                 |
| 11-2 | W2010130600            | AIR VALVE                       |                 |
| 11-3 | W2010130500            | AIR VALVE SEAT                  |                 |
| 12   | W2COM4041              | TRIGGER STUD                    |                 |
| 13   | W2COM6051              | TRIGGER                         |                 |
| 14   | 93845531               | AIR ADJ. SET                    |                 |
| 15   | W3COM5038              | THREADED BUSHING                |                 |
| 16   | W2COM5004              | SCREW                           |                 |
| 16-1 | W2COM6050              | PLUG                            |                 |
| 17   | W2COM5039              | AIR NIPPLE                      |                 |
| C    | W2KIT56                | PACKING SET                     | (3 pcs./1 pk.)  |
| D    | W2KIT33                | SLIDE RING SET                  | (10 pcs./1 pk.) |
| E    | W2KIT37                | AIR VALVE SHAFT TIP SET         | (3 pcs./1 pk.)  |

| REF. | CODE      | DESCRIPTION                              |
|------|-----------|--|
| 18   | W0CUPAZ90 | PCG-6P-2-AZ GRAVITY CUP 600 ml           |
| B    | W2KIT07   | NON DRIP SET (5 pcs./1 pk.)              |
| F    | W2KIT06   | FILTER SET 50 MESH (297µ) (5 pcs./1 pk.) |
| 19   | 930171A0  | UNIVERSAL SPANNER                        |

AZ3 HTE-S Impact



# GRAVITY SPRAY GUN

## AZ3 HTE2 AV-AZ3 HTE2 HVLP

### STANDARD QUALITY

#### FEATURES

- Robust spray gun for materials with high viscosity
- Trigger easy to dose
- Simple operation of the control knobs, for right and left handers
- Costs for spare parts replacement extremely customer friendly

#### HVLP

HIGH VOLUME LOW PRESSURE TECHNOLOGY

SPECIAL  
WRENCH  
ACCESSORIES



HTE  
HIGH TRANSFER  
EFFICIENCY



CARTON BOX  
AZ3 HTE2 HVLP Spray Gun  
PCG-6P-2B AZ CUP - 600 ml

| TECHNICAL DATA | Ø mm         | No.      | bar  | m <sup>3</sup> /min | N <sup>3</sup> /min | mm  |     |     |
|----------------|--------------|----------|------|---------------------|---------------------|-----|-----|-----|
| AZ HTE2 AV     | 1.0          | 10-15HTE | 2.0  | 80                  | 200                 | 180 |     |     |
|                | 1.3          |          |      | 140                 |                     | 240 |     |     |
|                | 1.5          |          |      | 160                 |                     | 260 |     |     |
|                | 1.8          | 18-20HTE |      | 250                 |                     | 215 | 300 |     |
|                | 2.0          |          |      | 300                 |                     | 340 |     |     |
|                | 2.5          | 25HTE    |      | 450                 |                     | 280 | 360 |     |
|                | AZ HTE2 HVLP | 2.8      |      | 28-30HTE            |                     | 3.0 | 540 | 340 |
| 3.0            |              | 560      | 400  |                     |                     |     |     |     |
| 3.5            |              | 35HTE    | 600  | 420                 |                     |     |     |     |
| AZ HTE2 HVLP   |              | 1.3      | HVLP | 150                 | 340                 |     | 280 |     |
|                |              | 1.5      |      | 185                 |                     |     | 290 |     |
|                |              | 1.8      |      | 215                 |                     |     | 340 |     |
|                | 2.0          |          | 240  |                     | 360                 |     |     |     |

• Air nipple: G1/4" • Fluid nipple: G1/4"

## ORDER INFORMATION

with PCG 6P 2 AZ - CUP 600ml

| AZ3 HTE2 AV                                       | Ø 1,0        | Ø 1,3        | Ø 1,5        | Ø 1,8        | Ø 2,0        |
|---|--------------|--------------|--------------|--------------|--------------|
| AZ3 HTE2 AV - 600 ml CUP                          | W0SPG80AG10C | W0SPG80AG13C | W0SPG80AG15C | W0SPG80AG18C | W0SPG80AG20C |
| AZ3 HTE2 AV - 600 ml CUP + AIR FLOW CONTROL VALVE | W0SPG81AG10C | W0SPG81AG13C | W0SPG81AG15C | W0SPG81AG18C | W0SPG81AG20C |
| AIR CAP SET                                       | W2CAP80AG15  |              | W2CAP80AG18  |              |              |
| FLUID NOZZLE + FLUID NEEDLE SET                   | W2010133500  | W2010133600  | W2010133700  | -            | -            |
| FLUID NOZZLE + FLUID NEEDLE SET                   | -            | -            | -            | W2010133800  | W2010133900  |

with PCG 6P 2 AZ - CUP 600ml

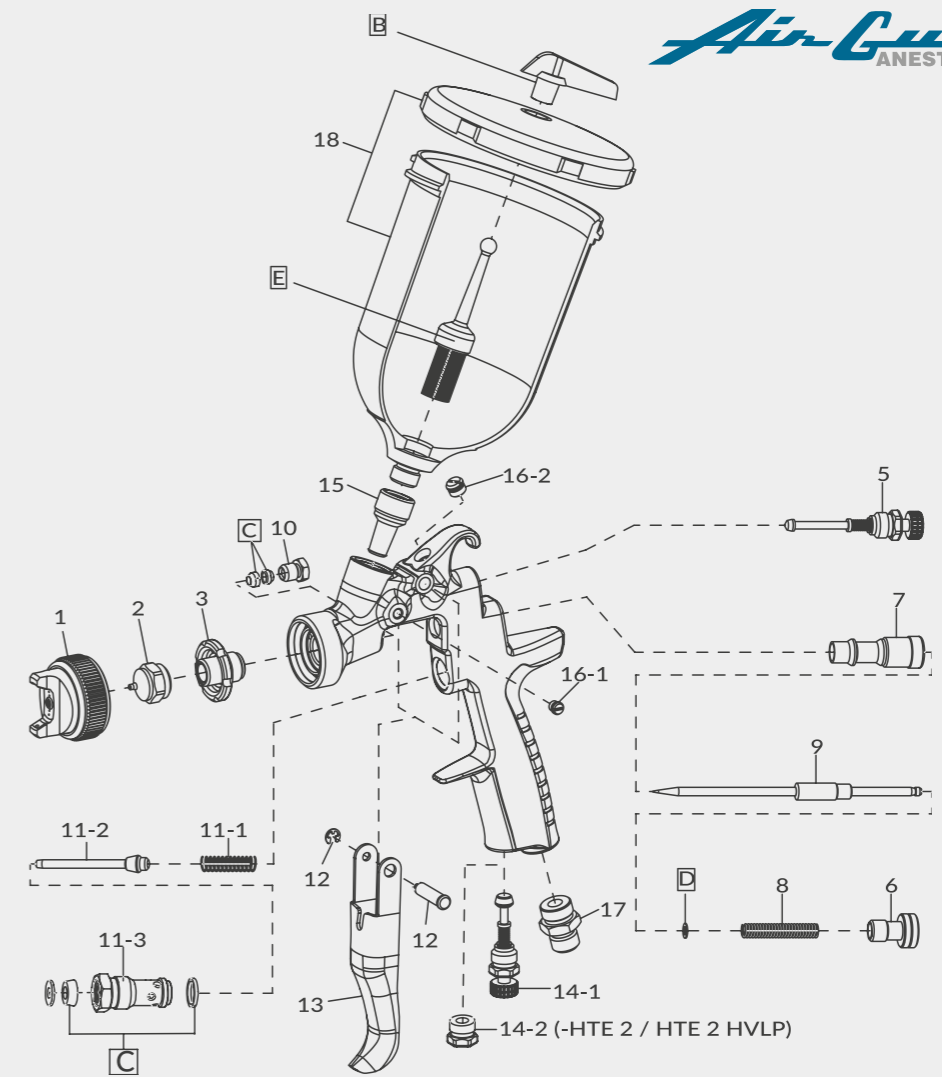
| AZ3 HTE2 AV                                       | Ø 2,5        | Ø 2,8        | Ø 3,0        | Ø 3,5        |
|---|--------------|--------------|--------------|--------------|
| AZ3 HTE2 - 600 ml CUP                             | W0SPG80AG25C | W0SPG80AG28C | W0SPG80AG30C | W0SPG80AG35C |
| AZ3 HTE2 AV - 600 ml CUP + AIR FLOW CONTROL VALVE | W0SPG81AG25C | W0SPG81AG28C | W0SPG81AG30C | W0SPG81AG35C |
| AIR CAP SET                                       | W2CAP80AG25  | W2CAP80AG30  |              | W2CAP80AG35  |
| FLUID NOZZLE + FLUID NEEDLE SET                   | W2010134000  | W2010134300  | W2010134100  | W2010134200  |

with PCG 6P 2 AZ - CUP 600ml

| AZ3 HTE2 HVLP                   | Ø 1,3        | Ø 1,5        | Ø 1,8        | Ø 2,0        |
|---------------------------------|--------------|--------------|--------------|--------------|
| AZ3 HTE2 HVLP - 600 ml CUP      | W0SPG85AG13C | W0SPG85AG15C | W0SPG85AG18C | W0SPG85AG20C |
| AIR CAP SET (HVLP)              | W2CAP84AG    |              |              |              |
| FLUID NOZZLE + FLUID NEEDLE SET | W2013031000  | W2013031100  | W2013031200  | W2013031300  |

PCG-6B  
2B-AZ  
GRAVITY  
CUP  
600 ml

Air-Gunsa  
ANEST IWATA Group



## SPARE PARTS

| REF. | CODE                   | DESCRIPTION               | QTY.            |
|------|------------------------|---------------------------|-----------------|
| 1    | see table on left page | AIR CAP SET               |                 |
| 2+9  | see table on left page | FLUID NOZZLE + NEEDLE SET |                 |
| 3    | W2010140200            | NOZZLE HOLDER             |                 |
| 5    | 93842601               | PATTERN ADJ. SET          |                 |
| 6    | W2010141000            | FLUID NEEDLE ADJ. KNOB    |                 |
| 7    | W2010140900            | FLUID NEEDLE GUIDE        |                 |
| 8    | W2010140800            | FLUID NEEDLE SPRING       |                 |
| 10   | W2010140600            | FLUID NEEDLE PACKING NUT  |                 |
| 11   | W2010120100            | AIR VALVE SET             |                 |
| 11-1 | W2010141700            | AIR VALVE SPRING          |                 |
| 11-2 | W2010130600            | AIR VALVE                 |                 |
| 11-3 | W2010130500            | AIR VALVE SEAT            |                 |
| 12   | W2COM4001              | TRIGGER STUD              |                 |
| 13   | W2COM6051              | TRIGGER                   |                 |
| 14-1 | 93845531               | AIR ADJ. SET              |                 |
| 14-2 | 93625371               | PLUG                      |                 |
| 15   | W2013040100            | THREADED BUSHING          |                 |
| 16-1 | W2COM5004              | SCREW                     |                 |
| 16-2 | W2COM6050              | PLUG                      |                 |
| 17   | W2COM5000              | AIR NIPPLE                |                 |
| C    | W2KIT56                | PACKING SET               | (3 pcs./1 pk.)  |
| D    | W2KIT33                | SLIDE RING SET            | (10 pcs./1 pk.) |

| REF. | CODE        | DESCRIPTION                              |
|------|-------------|--|
| 18   | W0012820100 | PCG-6P-2B-AZ GRAVITY CUP 600 ml          |
| B    | W2KIT07     | NON DRIP SET (5 pcs./1 pk.)              |
| E    | W2KIT06     | FILTER SET 50 Mesh (297µ) (5 pcs./1 pk.) |

## ACCESSORIES

| CODE        | DESCRIPTION                                    |
|-------------|--|
| VPACAZ3H2   | BLACK PLASTIC CASE (for 1 SPRAY GUN and 1 CUP) |
| W2503500100 | SPECIAL WRENCH                                 |

AZ3 HTE HVLP



# GRAVITY SPRAY GUN

## AZ4 HTE-S Impact Junior with BLACK AIR CAP

### SMART & SPOT REPAIR

This version has been designed to achieve those small and medium repairs on a vehicle body, which can be perfectly repaired thanks to the high transfer-efficiency and the more control that this spray gun grants, together with the maximum comfort for the operator. Ideal for both water and solvent based paints, it is provided with an adjustable inlet valve and it is available both with a 200 ml or a 70 ml cup.

**Impact Junior**  
AZ4 HTE-S



200 ml  
Gravity  
CUP

70 ml  
Gravity  
CUP



**CARTON BOX**  
AZ4 HTE-S Spray Gun  
PCG-2P-2 CUP - 200 ml

**CARTON BOX**  
AZ4 HTE-S Spray Gun  
PCG-1P-2 - 70 ml

| TECHNICAL DATA | Ø mm      | No.   | bar   | mL/min | NL/min | mm  |
|----------------|-----------|-------|-------|--------|--------|-----|
|                | AZ4 HTE-S | 0.8   | AZ4-1 | 1.0    | 50     | 105 |
|                | 1.0       | 65    |       |        | 150    |     |
|                | 1.2       | 80    |       |        | 160    |     |
|                | 1.3       | AZ4-2 | 2.5   | 140    | 235    | 150 |

• Air nipple: G1/4" • Fluid nipple: G1/4"

### ORDER INFORMATION

|                                 | Ø 0,8    | Ø 1,0    | Ø 1,2    | Ø 1,3    |
|---------------------------------|----------|----------|----------|----------|
| AZ4 HTE-S with 200 ml CUP       | 13000710 | 13000720 | 13000730 | 13000740 |
| AZ4 HTE-S with 70 ml CUP        | 13001130 | 13001140 | 13001150 | -        |
| AIR CAP SET (AZ4-1)             | 93003740 |          | 93003750 |          |
| FLUID NOZZLE + FLUID NEEDLE SET | 93004580 | 93004590 | 93004600 | 93004610 |

## AZ4 HTE-S Impact Junior with ANODIZED GRAY AIR CAP

### GENERAL INDUSTRY

The AIR GUNSA range is enhanced by the new AZ4 HTE-S IMPACT Junior. This version of the new gun has been specially designed so GENERAL INDUSTRY applications can be painted with high transfer efficiency, more control and maximum comfort for the operator. Ideal for both water based and solvent based paints with adjustable inlet valve as standard. Available with 600 ml or 200 ml cup.



600 ml  
Gravity  
CUP

200 ml  
Gravity  
CUP

| TECHNICAL DATA | Ø mm      | No. | bar   | mL/min | NL/min | mm  |
|----------------|-----------|-----|-------|--------|--------|-----|
|                | AZ4 HTE-S | 1.5 | AZ4-2 | 2.5    | 195    | 240 |
|                | 1.8       | 275 |       |        | 245    | 185 |

• Air nipple: G1/4" • Fluid nipple: G1/4"

### ORDER INFORMATION

|                                 | Ø 1,5    | Ø 1,8    |
|---------------------------------|----------|----------|
| AZ4 HTE-S with 600 ml CUP       | 13001160 | 13001170 |
| AZ4 HTE-S with 200 ml CUP       | 13000750 | 13000980 |
| AIR CAP SET (AZ4-2)             | 93003750 |          |
| FLUID NOZZLE + FLUID NEEDLE SET | 93004620 | 93005650 |

with  
600 ml  
CUP

AZ4 HTE-S  
PCG-6P-2-AZ  
CUP - 600 ml

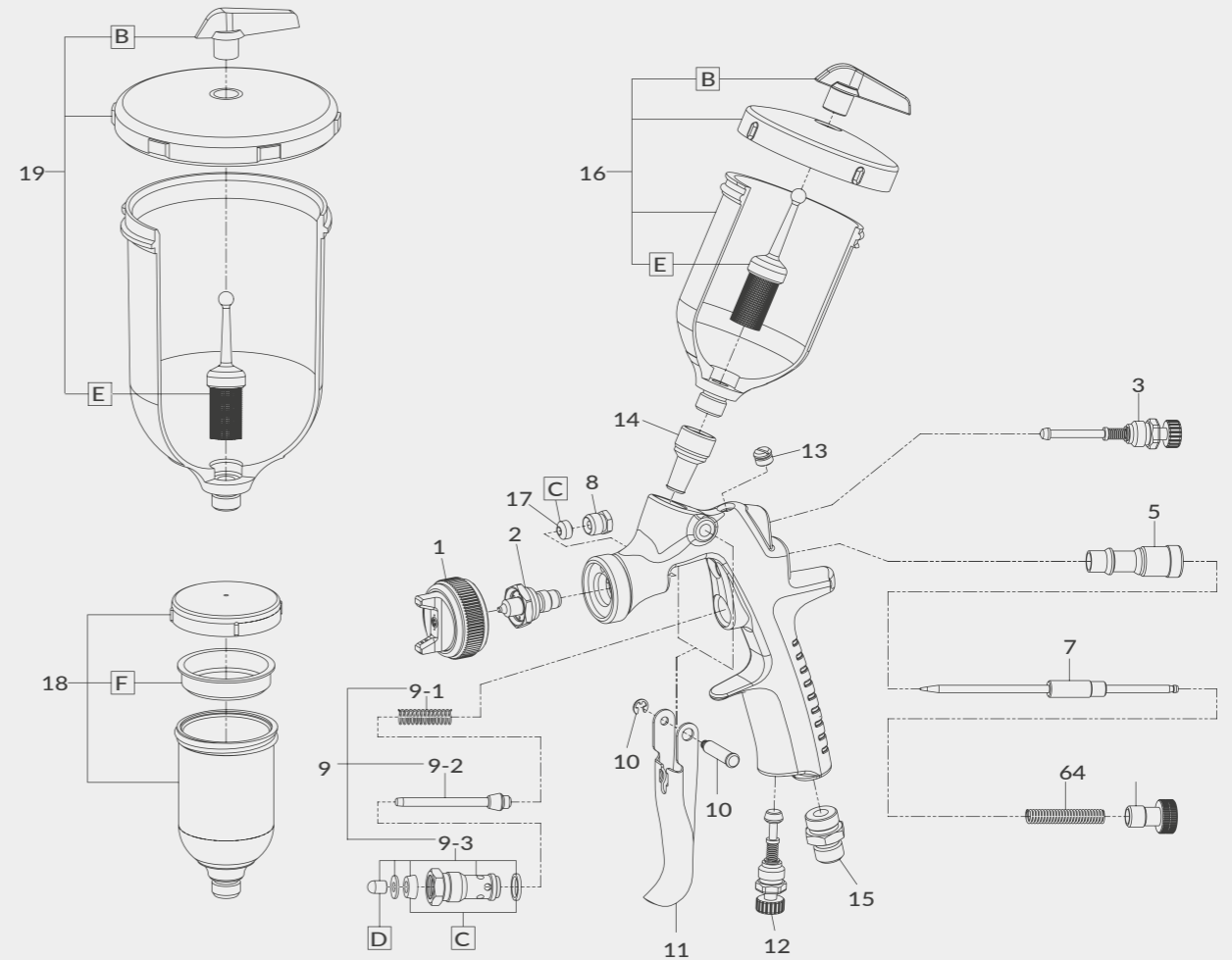
with  
200 ml  
CUP

AZ4 HTE-S  
PCG-2P-2  
CUP - 200 ml

with  
70 ml  
CUP

AZ4 HTE-S  
PCG-1P-2  
CUP - 70 ml

**Air Gunsa**  
ANEST IWATA Group



### SPARE PARTS

| REF. | CODE                   | DESCRIPTION               | QTY.           |
|------|------------------------|---------------------------|----------------|
| 1    | see table on left page | AIR CAP SET               |                |
| 2+7  | see table on left page | FLUID NOZZLE + NEEDLE SET |                |
| 3    | 93842601               | PATTERN ADJUSTMENT SET    |                |
| 4    | W2010141000            | FLUID NEEDLE ADJ. KNOB    |                |
| 5    | W2010140900            | FLUID NEEDLE GUIDE        |                |
| 6    | W2010140800            | FLUID NEEDLE SPRING       |                |
| 8    | W2COM3011              | NEEDLE PACKING NUT        |                |
| 9    | W2COM6080              | AIR VALVE SET             |                |
| 9-1  | W2010141700            | AIR VALVE SPRING          |                |
| 9-2  | W2010130600            | AIR VALVE                 |                |
| 9-3  | W2010130500            | AIR VALVE SEAT            |                |
| 10   | W2COM4001              | TRIGGER STUD              |                |
| 11   | 93003810               | TRIGGER                   |                |
| 12   | 93845531               | AIR ADJUSTMENT SET        |                |
| 13   | W2COM6050              | PLUG                      |                |
| 14   | W3COM5038              | THREADED BUSHING          |                |
| 15   | W2COM5000              | AIR NIPPLE                |                |
| 17   | W2COM2006              | NEEDLE PACKING            |                |
| C    | 93005550               | PACKING SET               | (3 pcs./1 pk.) |
| D    | W2KIT37                | AIR VALVE SHAFT TIP SET   | (5 pcs./1 pk.) |

| REF.  | CODE        | DESCRIPTION                             |
|---|-------------|---|
| <b>PCG - 2P - 2 GRAVITY CUP 200 ml</b>      |             |   |
| 16  | WOCUPAZ40IN | PCG-2P-2 GRAVITY CUP 200 ml             |
| B   | W2KIT07     | NON DRIP SET (5pcs./1 pk.)              |
| E   | W2KIT06     | FILTER SET 50 Mesh (297µ) (5pcs./1 pk.) |
| <b>PCG - 1P - 2 GRAVITY CUP 70 ml</b>       |             |   |
| 18  | 13001200    | PCG - 1P - 2 GRAVITY CUP 70 ml          |
| G   | W2KIT52     | NON DRIP SET (3pcs./1 pk.)              |
| <b>PCG - 6P - 2 - AZ GRAVITY CUP 600 ml</b> |             |   |
| 19  | WOCUPAZ90   | PCG-6P-2-AZ GRAVITY CUP 600 ml          |
| B   | W2KIT07     | NON DRIP SET (5pcs./1 pk.)              |
| E   | W2KIT06     | FILTER SET 50 Mesh (297µ) (5pcs./1 pk.) |

AZ4 HTE-S Impact Junior





## AZ1 HTE 2P Pressure Spray Gun

| TECHNICAL DATA      |                 | Ø mm   | No.    | bar | mℓ/min | Nℓ/min | mm  |
|---------------------|-----------------|--------|--------|-----|--------|--------|-----|
| AZ1 HTE 2P PRESSURE | SHORT PATTERN   | 1.0    | HTE-P0 | 2.5 | 200    | 184    | 220 |
|                     |                 | 1.3    |        |     |        |        | 230 |
|                     | 1.5 - 1.8 - 2.0 | HTE-P4 |        |     |        |        | 240 |
|                     | 2.5 - 3.0 - 3.5 |        |        |     |        |        | 290 |
| AZ1 HTE 2P PRESSURE | LONG PATTERN    | 1.0    | HTE-P2 | 2.5 | 400    | 416    | 390 |
|                     |                 | 1.3    |        |     |        |        | 400 |
|                     | 1.5 - 1.8 - 2.0 | HTE-P3 |        |     |        |        | 410 |
|                     | 2.5 - 3.0 - 3.5 |        |        |     |        |        | 330 |

• Air nipple: G1/4" • Fluid nipple: G1/4" or G3/8"

**HTE**  
HIGH TRANSFER EFFICIENCY

**Concept**  
AZ1 HTE



NEWLY DESIGNED AIR CAP



### ORDER INFORMATION

|                             | Ø 1,0        | Ø 1,3        | Ø 1,5        | Ø 1,8        |
|-----------------------------|--------------|--------------|--------------|--------------|
| AZ1 HTE 2P- Short Pattern   | W0SPG72AG10C | W0SPG72AG13C | W0SPG72AG15C | W0SPG72AG18C |
| AZ1 HTE 2P- Long Pattern    | W0SPG73AG10C | W0SPG73AG13C | W0SPG73AG15C | W0SPG73AG18C |
| NOZZLE + NEEDLE SET         | W2ADU72AG10  | W2ADU72AG13  | W2ADU72AG15  | W2ADU72AG18  |
| AIR CAP SET - Short Pattern | W2CAP70AG13  |              |              |              |
| AIR CAP SET - Long Pattern  | W2CAP73AG13  |              |              |              |
|                             | Ø 2,0        | Ø 2,5        | Ø 3,0        | Ø 3,5        |
| AZ1 HTE 2P- Short Pattern   | W0SPG72AG20C | W0SPG72AG25C | W0SPG72AG30C | W0SPG72AG35C |
| AZ1 HTE 2P- Long Pattern    | W0SPG73AG20C | W0SPG73AG25C | W0SPG73AG30C | W0SPG73AG35C |
| NOZZLE + NEEDLE SET         | W2ADU72AG20  | W2ADU72AG25  | W2ADU72AG30  | W2ADU72AG35  |
| AIR CAP SET - Short Pattern | W2CAP70AG13  |              | W2CAP72AG25  |              |
| AIR CAP SET - Long Pattern  | W2CAP73AG13  |              | W2CAP70AG25  |              |

## AZ1 HTE 2S Suction Spray Gun

| TECHNICAL DATA     |        | Ø mm | No. | bar | mℓ/min | Nℓ/min | mm  |
|--------------------|--------|------|-----|-----|--------|--------|-----|
| AZ1 HTE 2S SUCTION | HTE-P0 | 1.0  | 2.5 |     | 66     | 184    | 170 |
|                    |        | 1.3  |     |     | 80     |        | 190 |
|                    |        | 1.5  |     |     | 113    |        | 200 |
|                    |        | 1.8  |     |     | 154    |        | 220 |
|                    | 2.0    | 169  |     |     | 230    |        |     |
|                    | 2.5    | 167  |     |     | 250    |        |     |
|                    | 3.0    | 205  |     |     | 290    |        |     |
|                    | 3.5    | 217  |     |     | 300    |        |     |
|                    | HTE-P3 |      |     |     | 333    |        | 290 |
|                    |        |      |     |     | 217    |        | 300 |

• Air nipple: G1/4" • Fluid nipple: G3/8"

**HTE**  
HIGH TRANSFER EFFICIENCY

**Concept**  
AZ1 HTE

NEWLY DESIGNED AIR CAP



### ORDER INFORMATION

|                        | Ø 1,0        | Ø 1,3        | Ø 1,5        | Ø 1,8        |
|------------------------|--------------|--------------|--------------|--------------|
| AZ1 HTE 2S + 1 lt. CUP | W0SPG70AG10C | W0SPG70AG13C | W0SPG70AG15C | W0SPG70AG18C |
| NOZZLE + NEEDLE SET    | W2ADU83AG10  | W2ADU83AG13  | W2ADU83AG15  | W2ADU83AG18  |
| AIR CAP SET            | W2CAP70AG13  |              |              |              |
|                        | Ø 2,0        | Ø 2,5        | Ø 3,0        | Ø 3,5        |
| AZ1 HTE 2S + 1 lt. CUP | W0SPG70AG20C | W0SPG70AG25C | W0SPG70AG30C | W0SPG70AG35C |
| NOZZLE + NEEDLE SET    | W2ADU83AG20  | W2ADU83AG25  | W2ADU83AG30  | W2ADU83AG35  |
| AIR CAP SET            | W2CAP70AG13  |              | W2CAP70AG25  |              |

## AZ1 HTE 2P Pressure & AZ1 HTE 2S Suction

### FEATURES

The newly designed range of air caps from AIR GUNSA are able to develop a long and tulip shaped spray pattern with an extra fine particles distribution and very little overspray.

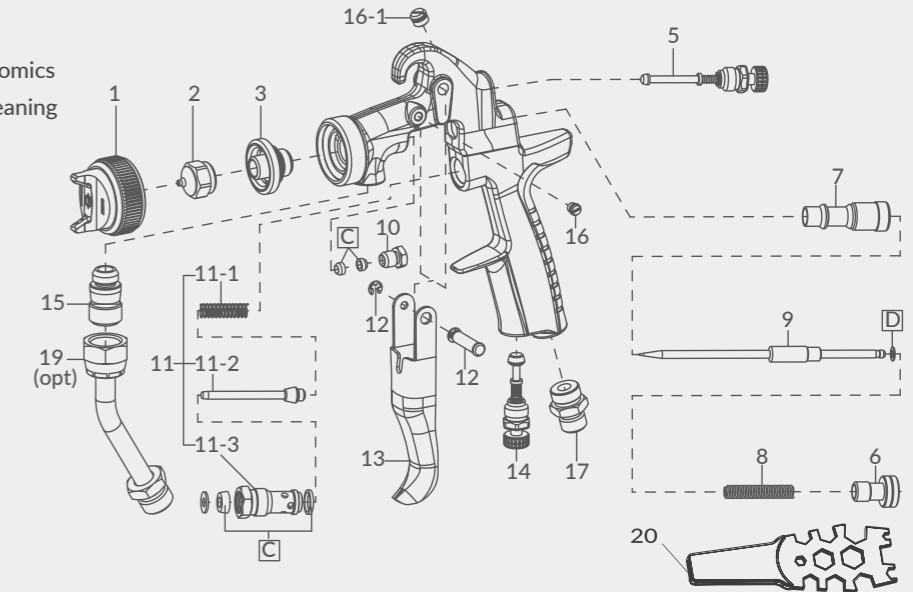
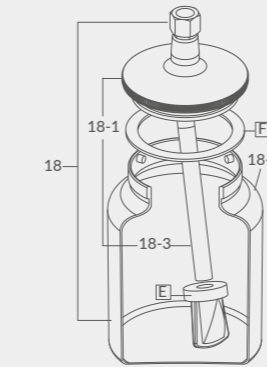
Flat and long pattern even spraying heavy materials

Newly designed air caps

High Transfer Efficiency (HTE Technology)

Easy manoeuvrability and improved ergonomics

Polished body surface for easy and fast cleaning



### SPARE PARTS

| REF. | CODE                   | DESCRIPTION                      | QTY.          |
|------|------------------------|----------------------------------|---------------|
| 1    | see table on left page | AIR CAP SET                      |               |
| 2+9  | see table on left page | FLUID NOZZLE + NEEDLE SET        |               |
| 3    | W3COM3052              | NOZZLE HOLDER                    |               |
| 5    | 93842601               | PATTERN ADJUSTMENT SET           |               |
| 6    | W2010141000            | FLUID NEEDLE ADJ. KNOB           |               |
| 7    | W2010140900            | NEEDLE ADJ. GUIDE                |               |
| 8    | W2010140800            | NEEDLE SPRING                    |               |
| 10   | W2010140600            | NEEDLE PACKING NUT               |               |
| 11   | W2010120100            | AIR VALVE SET                    |               |
| 11-1 | W2010141700            | AIR VALVE SPRING                 |               |
| 11-2 | W2010130600            | AIR VALVE                        |               |
| 11-3 | W2010130500            | AIR VALVE SEAT                   |               |
| 12   | W2COM4001              | TRIGGER STUD                     |               |
| 13   | W2COM6051              | TRIGGER                          |               |
| 14   | 93845531               | AIR ADJUSTMENT SET               |               |
| 15   | W2COM5048              | FLUID NIPPLE G3/8"               |               |
| 16   | W2COM5004              | SCREW                            |               |
| 16-1 | W2COM6050              | PLUG                             |               |
| 17   | W2COM5000              | AIR NIPPLE G1/4"                 |               |
| 19   | W2COM5052              | PAINT TUBE (OPT. FOR AZ1 HTE 2P) |               |
| C    | W2KIT56                | PACKING SET                      | (3 pcs./1pk)  |
| D    | W2KIT33                | SLIDE RING KIT                   | (10 pcs./1pk) |

| REF.  | CODE     | DESCRIPTION             | QTY.         |
|---|----------|-------------------------|--------------|
| <b>AG-1 - 1 lt. ALUMINIUM PIN LOCK CUP For AZ1 HTE 2S SUCTION SPRAY GUN</b> |          |                         |              |
| 18  | 04006100 | AG-1 CONTAINER SET      | 1 lt.        |
| 18-1  | 04006110 | LID SET                 |              |
| 18-2  | 04006130 | SUCTION CONTAINER 1 lt. |              |
| 18-3  | 04010000 | SUCTION TUBE            |              |
| E   | W2KIT43  | FILTER SET              | (5 pcs./1pk) |
| F   | W2KIT42  | LID PACKING SET         | (2 pcs./1pk) |
| 20  | 930171A0 | UNIVERSAL SPANNER       |              |

### CARTON BOX

AZ1 HTE 2P Concept Spray Gun  
Universal Spanner



### CARTON BOX

AZ1 HTE 2S Concept Spray Gun  
AG-1 Suction Container 1lt.  
Universal Spanner



# GRAVITY SPRAY GUN

## AZ3 HTE P.A.S. Concept

### STANDARD QUALITY

#### FEATURES

- Robust spray gun with pressurized cup most suitable for high viscosity materials
- Large, uniform spray pattern also with high viscosity materials, thanks to the Pressure Assisted System (P.A.S.)
- Costs for spare parts replacement extremely customer friendly
- High material transfer rate
- All fluid passages are in stainless steel
- Precise mini-controller for cup pressure
- Trigger easy to dose

### HTE-P1 CONCEPT

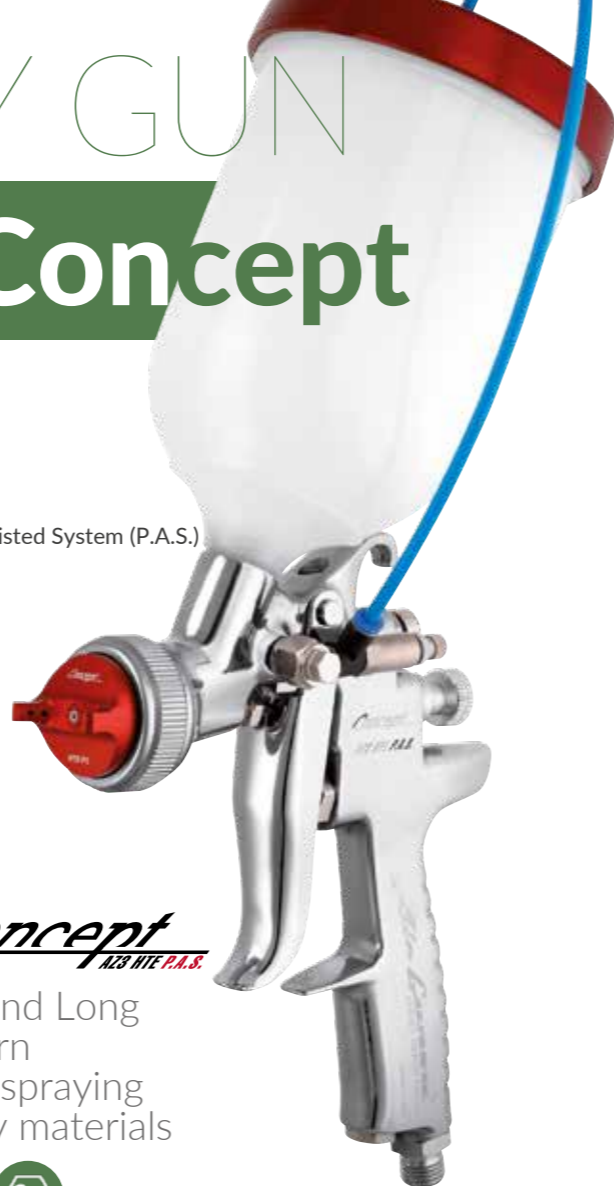
HIGH PERFORMANCE SPRAY TECHNOLOGY

| TECHNICAL DATA         | Ø mm | No.            | bar | m <sup>3</sup> /min | N <sup>2</sup> /min | mm  |
|------------------------|------|----------------|-----|---------------------|---------------------|-----|
| AZ3 HTE P.A.S. CONCEPT | 1.3  | HTE-P1 CONCEPT | 2.5 | 190                 | 286                 | 270 |
|                        | 1.5  |                |     | 260                 |                     | 320 |
|                        | 1.8  |                |     | 396                 |                     | 380 |
|                        | 2.0  |                |     | 410                 |                     | 400 |

• Air nipple: G1/4" • Fluid nipple: G1/4"

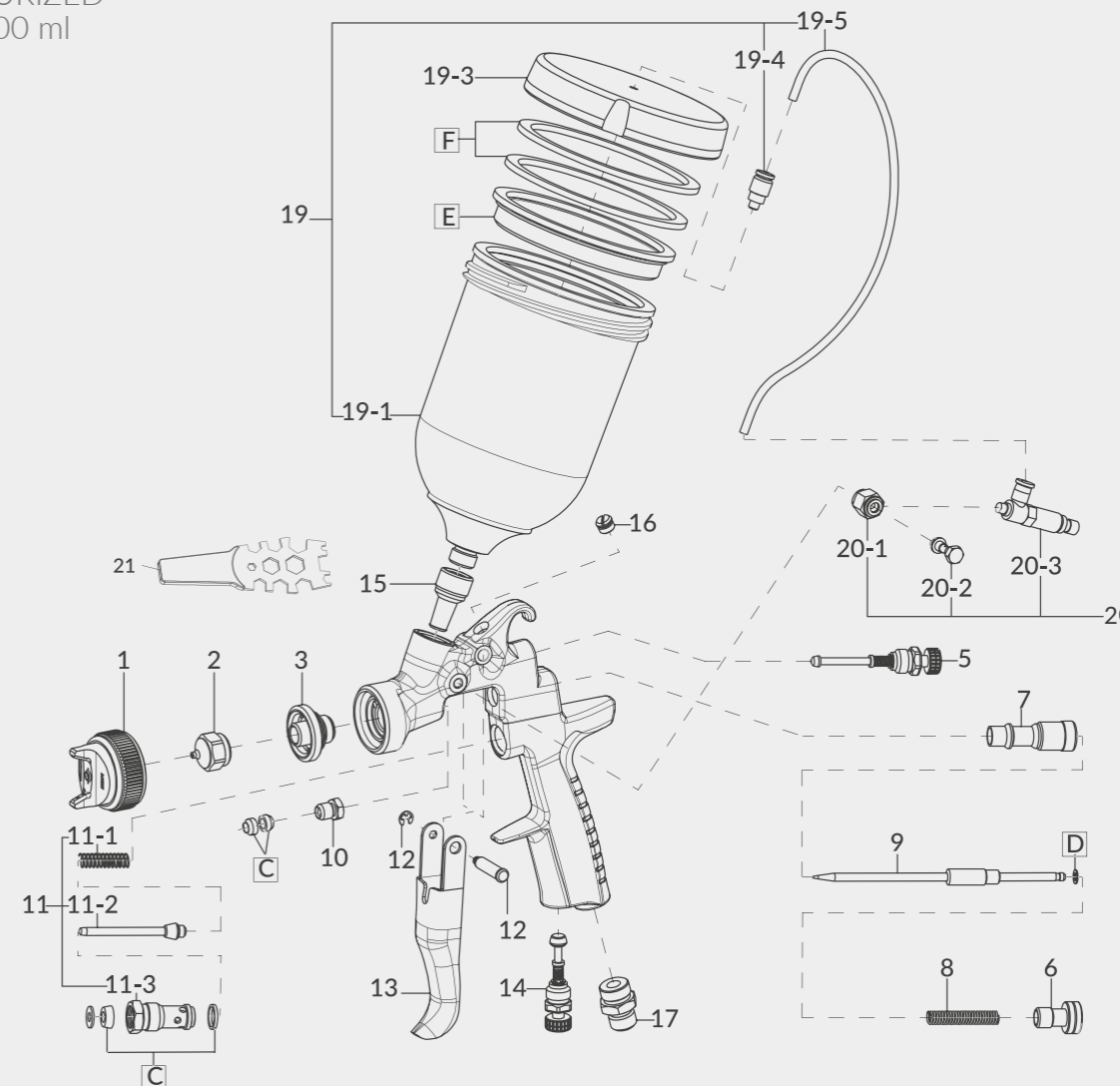


Flat and Long Pattern  
even spraying  
heavy materials



### PCGP-6P 2B-AZ

PRESSURIZED  
CUP 600 ml



### SPARE PARTS

| REF. | CODE                   | DESCRIPTION              | QTY.            |
|------|------------------------|--------------------------|-----------------|
| 1    | see table on left page | AIR CAP SET              |                 |
| 2+9  | see table on left page | NOZZLE + NEEDLE SET      |                 |
| 3    | W3COM3050              | NOZZLE HOLDER            |                 |
| 5    | 93842601               | PATTERN ADJ. SET         |                 |
| 6    | W2010141000            | FLUID NEEDLE ADJ. KNOB   |                 |
| 7    | W2010140900            | FLUID NEEDLE GUIDE       |                 |
| 8    | W2010140800            | FLUID NEEDLE SPRING      |                 |
| 10   | W2010140600            | FLUID NEEDLE PACKING NUT |                 |
| 11   | W2010120100            | AIR VALVE SET            |                 |
| 11-1 | W2010141700            | AIR VALVE SPRING         |                 |
| 11-2 | W2010130600            | AIR VALVE                |                 |
| 11-3 | W2010130500            | AIR VALVE SEAT           |                 |
| 12   | W2COM4001              | TRIGGER STUD             |                 |
| 13   | W2COM6051              | TRIGGER                  |                 |
| 14   | 93845531               | AIR ADJ. SET             |                 |
| 15   | W3COM5038              | THREADED BUSHING         |                 |
| 16   | W2COM6050              | PLUG                     |                 |
| 17   | W2COM5000              | AIR NIPPLE               |                 |
| C    | W2KIT56                | PACKING SET              | (3 pcs./1 pk.)  |
| D    | W2KIT33                | SLIDE RING SET           | (10 pcs./1 pk.) |

| REF. | CODE       | DESCRIPTION                          |
|------|------------|--------------------------------------|
| 19   | W0CUPAZ85  | PCGP-6P-2B-AZ PRESSURIZED CUP 600 ml |
| 19-1 | W3COM1037  | PRESSURE CUP                         |
| 19-3 | W3COM1031  | LID                                  |
| 19-4 | W3COM5041  | STRAIGHT MALE ADAPTOR                |
| 19-5 | 0010002700 | AIR HOSE                             |
| E    | W2KIT38    | NON DRIP SET (3 pcs.)                |
| F    | W2KIT39    | LID PACKING SET (4 pcs.)             |
| 20   | W2SUB6066  | PRESSURE REGULATOR SET               |
| 20-1 | W3COM4030  | ORIENTING RING                       |
| 20-2 | W3COM4033  | BANJO STEM SINGLE                    |
| 20-3 | W3COM5032  | PRESSURE REGULATOR                   |
| 21   | 930171A0   | UNIVERSAL SPANNER                    |

### METAL LID

Sturdy and resistant for heavy duty use



### PRESSURE Assisted System

### HIGH PRECISION

MINI PRESSURE REGULATOR



### ORDER INFORMATION

#### CARTON BOX

AZ3 HTE P.A.S. Concept Spray Gun  
PCGP-6P-2P-AZ PRESSURIZED CUP - 600 ml  
Universal Spanner

|                                 | Ø 1,3        | Ø 1,5        | Ø 1,8        | Ø 2,0        |
|---------------------------------|--------------|--------------|--------------|--------------|
| AZ3 HTE P.A.S.                  | W0SPG88AG13C | W0SPG88AG15C | W0SPG88AG18C | W0SPG88AG20C |
| AIR CAP SET (HTE-P1 CONCEPT)    | W2CAP83AG13  |              |              |              |
| FLUID NOZZLE + FLUID NEEDLE SET | W2ADU83AG13  | W2ADU83AG15  | W2ADU83AG18  | W2ADU83AG20  |



# 2

## GRAVITY CUPS & FILTERS and



# GRAVITY CUPS

## GRAVITY CUPS - ORDER INFORMATION

### CENTRAL 600 ml

#### PCG-6P-2-AZ

**Code:** W0CUPAZ90  
**Connection:** G1/4" (PF1/4")  
**Cpty.:** 600 ml  
**Available for:** AZ3 HTE 2  
 AZ3 HTE-S Impact



#### PCG-6P-2B-AZ

**Code:** W0012820100  
**Connection:** G1/4" (PF1/4")  
**Cpty.:** 600 ml  
**Available for:** AZ3 HTE 2



#### PCGP-6P-2B-AZ

**Code:** W0CUPAZ85  
**Connection:** G1/4" (PF1/4")  
**Cpty.:** 600 ml  
**Available for:** AZ3 HTE P.A.S. Concept



### CENTRAL 200 ml

#### PCG-2P-2

**Code:** W0CUPAZ40IN  
**Connection:** G1/4" (PF1/4")  
**Cpty.:** 200 ml  
**Available for:** AZ4 HTE-S Impact Junior



#### PCG-2P-2B-AZ

**Code:** W0CUPAZ40  
**Connection:** G1/4" (PF1/4")  
**Cpty.:** 200 ml  
**Available for:** AZ40 HTE



### CENTRAL 70 ml

#### PCG-1P-1B-AZ

**Code:** W0012320100  
**Connection:** G1/8" (PF1/8")  
**Cpty.:** 70 ml  
**Available for:** AZ5



#### PCG-1P-2

**Code:** 13001200  
**Connection:** G1/4" (PF1/4")  
**Cpty.:** 70 ml  
**Available for:** AZ4 HTE-S  
 Impact Junior



## FILTERS ORDER INFORMATION



**Code:** W2KIT06  
**Description:** 60 MESH (250µ)  
**Qty.:** 5 pcs.  
**Available for:** AZ3 HTE2 (600 ml) - AZ3 HTE S Impact (600 ml)

# UV CUPS

## BLACK GRAVITY CUPS - ORDER INFORMATION

### FOR UV-CURED PAINT

The UV CUPS are an addition to our standard line of cups. Thanks to their black color they help protecting UV cured paints from unwanted exposition.



### CENTRAL 600 ml

#### UV BLACK CUP

**Code:** W0CUPAZ91  
**Connection:** G1/4" (PF1/4")  
**Cpty.:** 600 ml  
**Available for:** AZ3 HTE IMPACT



3

GENERAL  
ACCESSORIES

HEALTH  
PROTECTION



## ANEST IWATA OVERALL

### PREMIUM QUALITY



### IMPROVED FIT AND HIGH FULL DAY COMFORT

The New Premium Overall provides optimum protection against overspray and prevents pollution of the painting job by fibres, dust and lint. It has been designed with the user in mind, to guarantee a full day comfort and to responds to all our users safety necessity by an improved antistatic fiber most resistant and a new designed hood for a better fit.

#### PERSONAL PROTECTIVE EQUIPMENT (PPE)

Category I according to the European Directive 2016/425  
Basic PPE protects against minimal risks.

#### OVERALL'S SIZE CHART

| SIZE  | S          | M          | L          | XL         |
|-------|------------|------------|------------|------------|
| EU    | 46         | 48         | 50         | 52-54      |
| HIGH  | 170-174 cm | 174-178 cm | 178-182 cm | 182-190 cm |
| CHEST | 86-94 cm   | 94-102 cm  | 102-110 cm | 110-118 cm |
| WAIST | 70-78 cm   | 78-86 cm   | 86-94 cm   | 94-102 cm  |

Bicolored Overall in two different dark grey tones

Nylon fabric (EN 1149-1: 2006) with 1% carbon thread for maximum antistatic ability

According to 1149-3 Method 2: Induction decay time

Perfect fit for all sizes

Maximum movability

Dirt and water repellent, protects against overspray

Dust and lint free

High durable blind zipper

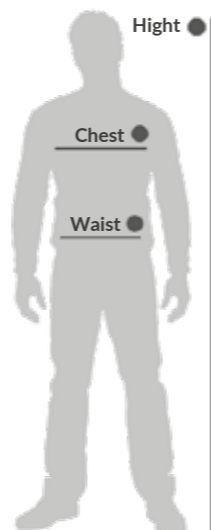
Underarm aeration net

Waist with elastic band

Tight fit to neck, sleeves and ankles cuffs

2 side pockets

Available sizes : S-M-L-XL



### ORDER INFORMATION

| CODE     | DESCRIPTION      | SIZE |
|----------|------------------|------|
| 150006A0 | PREMIUM OVERALL  | S    |
| 150007A0 | PREMIUM OVERALL  | M    |
| 150008A0 | PREMIUM SOVERALL | L    |
| 150009A0 | PREMIUM OVERALL  | XL   |



## GOGGLES & GLASSES VISIONSHIELD SERIES

### OVER-GLASSES PROTECTIVE GOGGLES



#### FEATURES

Polycarbonate lens, offers protection from medium energy hi-speed particles, the frame offers protection against large dust particles and liquid droplets.

Soft rubber frame provides comfort for longtime.



CONFORMS TO EN166:2001

| LENS MARKING: 2 - 1.2 XXX 1 B 9 |   |
|---------------------------------|---|
| 2                               | Radiation protection: (2= UV filter)  |
| 1.2                             | Gradation: (1.2= Transparent)   |
| XXX                             | Identification on the producer: (brand)   |
| 1                               | Optical Class: (1= Continuous use)  |
| B                               | Mechanical resistance: (B= Medium energy impact)  |
| 9                               | Additional requirements: (9= Resistance to splashes of molten metals and penetration of hot solids) |

### ORDER INFORMATION

| CODE           | DESCRIPTION          |
|----------------|----------------------|
| AGN020-441-3P0 | VISIONSHIELD GOGGLES |



### SAFETY WRAPAROUND GLASSES



#### FEATURES

Moulded with soft rubber to increase grip and provide excellent comfort levels.

Polycarbonate lenses and frame ensure protection against low energy hi-speed particles.

Adjustable nose piece: the soft nose bridge is adjustable and provides high grip fitting that prevents slippage.



CONFORMS TO EN166:2001

| Lens Marking: 2 - 1.2 xxx 1 F N |  |
|---------------------------------|--|
| 2                               | Radiation protection: (2= UV filter)             |
| 1.2                             | Gradation: (1.2= Transparent)                    |
| XXX                             | Identification of the producer: (brand)          |
| 1                               | Optical Class: (1= Continuous use)               |
| F                               | Mechanical resistance: (F= Low energy impact)    |
| N                               | Additional requirements: (N= Fogging Resistance) |

### ORDER INFORMATION

| CODE           | DESCRIPTION          |
|----------------|----------------------|
| ASA770-15K-4P0 | VISIONSHIELD GLASSES |



## VIPER HALF FACE GUARD MASK

### HALF MASK with INTERCHANGEABLE COMBINED FILTERS



#### FEATURES

- Full field of vision
- Quick bayonet fittings
- Secure fit
- Large filter surfaces



The spectrum of action of harmful substances is large, then it is necessary identify with great precision the specific risks present in each workplace. The half mask respirators have two different types of filters that offer effective protection against dust, gases and vapors. Wearing protective masks and using them correctly can ensure an effective protection of the health against toxic substances.



#### Filters in two versions

- A2P3R filter for high protection
- AB1P2R filter for standard protection

- Built-in inhalation valves in the filter
- Low inhalation resistance

### A2 P3R HIGH PROTECTION COMBINED FILTERS

#### Filter marking: A2P3R

|     |   |
|-----|---|
| A2  | (A = organic gas/vapours, bp >65°C)<br>(2 = medium capacity)  |
| P3R | (P = particulate filter)<br>(3 = high capacity) (R= reusable) |



Medium Capacity Organic Gas / Vapors Filter  
(Hydrocarbons & Solvents)  
CONFORM TO: EN143:2000 + A1:2006

High Efficiency Particles Filters  
CONFORM TO: EN14387:2004

### AB1 P2R STANDARD PROTECTION COMBINED FILTERS

Low Capacity Organic Gas / Vapors Filter  
(Hydrocarbons & Solvents)  
CONFORM TO: EN143:2000 + A1:2006

Medium Efficiency Particles Filters  
CONFORM TO: EN14387:2004

#### Filter marking: AB1P2R

|     |  |
|-----|--|
| AB1 | (AB = inorganic gas/vapours, bp >65°C) (1 = low capacity)    |
| P2R | (P = particulate filter) (2 = medium capacity) (R= reusable) |



RESPIRATORY PROTECTION



DUST PARTICLES



MISTS Et FUMES



PAINTING ODOURS



### ORDER INFORMATION

| CODE          | DESCRIPTION                              | QTY.                      |
|---------------|--|---------------------------|
| 150001A0      | VIPER GUARD MASK (A2P3R Half Face Mask)  |                           |
| 150002A0      | VIPER GUARD MASK (AB1P2R Half Face Mask) |                           |
| VIUGVGM123    | A2P3R FILTER SET                         | (2 pcs)                   |
| VIUGVGM510    | AB1P2R FILTER SET                        | (2 pcs)                   |
| VIUGVGM002KIT | P2R PRE-FILTER SET                       | (4 pre-filters/2 holders) |

## AIRFED 2020 FULL FACE MASK

One of the biggest risks to the health of the human body is the inhalation of dust, paint mists, gases, vapors or other contaminants, which can be greatly hazardous to our health, even in small quantities. For this reason, it is of extreme importance to use masks to protect against respiratory aggressions that you can undergo during job in a saturated environment of toxic substances. ANEST IWATA offers excellent protections to always ensure your safety in all kind of environments. AIRFED 2020 FULL FACE MASK is functional and stylish. Suitable for use with previously filtered compressed air.

#### FEATURES

- Very good all-round visibility with large visor
- Head protection and comfort headband
- Visor with quick-change protection film
- Individually adjustable belt
- Easily adjustable width adjustment
- Adjustable fresh air regulator
- 5 micron filter
- New Belt Unit including Whistle Warning
- 1.5m hose (inside diameter 8mm)
- Supplied in Hygiene Box



#### VISOR

EN166:2001

|                   |  |
|-------------------|--|
| Lens marking: 1F3 |  |
| 1                 | Optical Cass: (1 = Continuous use)                               |
| F                 | Mechanical resistance: (F = Low energy impact)                   |
| 3                 | Specific use (risk types): (3 = Resistance to chemical splashes) |

### HOSE/AIRLINE BREATHING APPARATUS

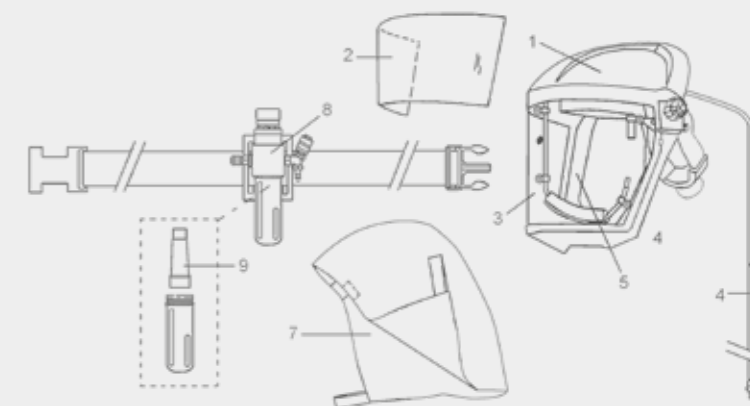
EN14594:2005

|  |  |
|--|--|
| Marking: LHD-3   |  |
| LHD  | Light, duty compressed air line helmet.                      |
| 3  | Class of performance (inward leakage):<br>(3 = maximum 0.5%) |
| NOTE: compressed Air Breathing Quality, must be Conforms to EN12021:2014 |  |



### ORDER INFORMATION

| CODE             | DESCRIPTION               | REF. | QTY.    |
|------------------|---------------------------|------|---------|
| VIUAF2020KIT     | 2020 AIR FED MASK         |      |         |
| VIUAF2020HEAD    | 2020 HEADPIECE ONLY       | 1    |         |
| VIUAF2020/K10-SV | VISOR PEEL OFF COVERS     | 2    | 10 pcs. |
| VIUAF2020/K50-SV | TEARS OFFS                |      | 50 pcs. |
| VIUAF2020CHIN    | CHIN GUARD AND FACESCREEN | 3    |         |
| VIUAF2020DIFF    | DIFFUSER TUBE             | 4    |         |
| VIUAF2101K5      | HYGIENE KIT               | 5    | 5 pcs.  |
| VIUAF2103K5      | NAPE COVERS               | 7    | 5 pcs.  |
| VIUAF2207        | BELT REGULATOR            | 8    |         |
| VIUAFG-N-AF-MC   | 5 MICRON FILTER           | 9    |         |
| VIUAF2003        | BELT ONLY                 |      |         |
| VIUAF2400        | BRACKET ONLY              |      |         |
| I-UK-AH008-FT26  | STUB HOSE                 |      |         |
| VIUAF2010HRNS    | ADJ HARNESS               |      |         |



## MAGNETIC SUPPORT & GUN HOLDERS

### MAG STAND - Magnetic Support

#### FEATURES

Practical for every bodyshop, fast, flexible and reliable adhesion on all metal surfaces thanks to an extra-strong all-surface magnet.

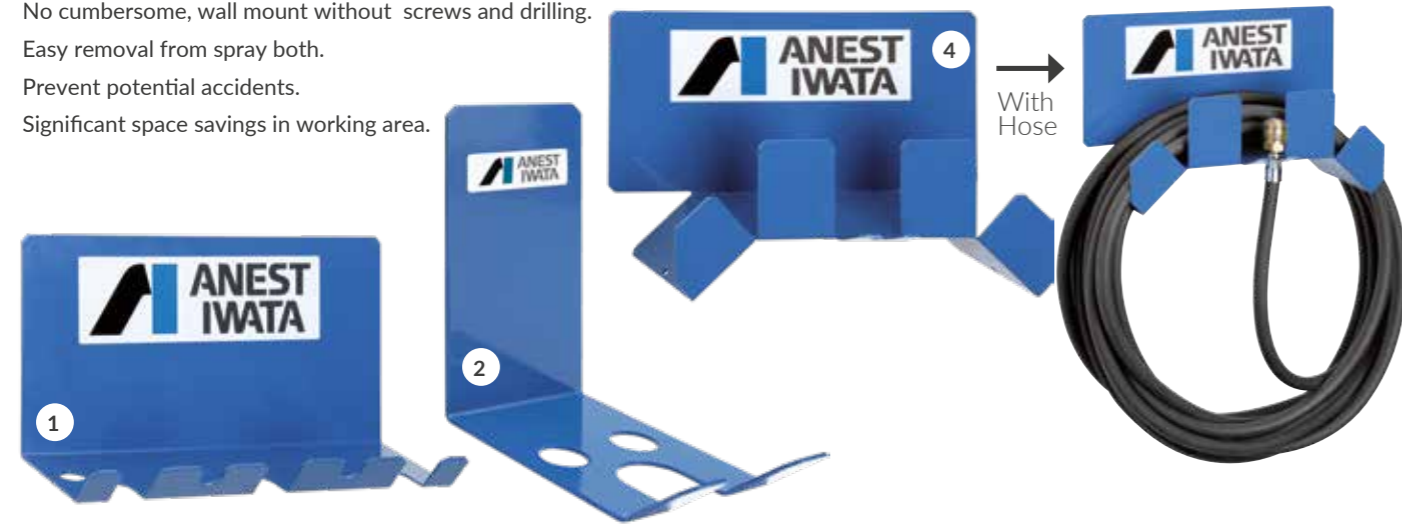
Hold up to 20 kg (each holder, measured on a clean metal surface).

No cumbersome, wall mount without screws and drilling.

Easy removal from spray both.

Prevent potential accidents.

Significant space savings in working area.



#### ORDER INFORMATION

| CODE      | DESCRIPTION                                      | REF. |
|-----------|--|------|
| W2COM6052 | MAGNETIC SPRAY GUN HOLDER (for 3 Spray Guns)     | 1    |
| W2COM6120 | MAGNETIC SPRAY GUN HOLDER (1 Single Spray Gun)   | 2    |
| W2COM6093 | MAGNETIC ADAPTOR HOLDER (for PPS-RPS Adaptors)   | 3    |
| W2COM6094 | MAGNETIC AIR HOSE HOLDER (Max. Hose length 20 m) | 4    |

### GRAVITY GUN HOLDERS

#### FEATURES

Suitable to hold Gravity Guns after use or during the filling of the cup.

Available in 3 versions with base:

- Single Central Gravity (wall mountable)
- Multiple Central Gravity (3 places)
- Single Side Gravity.



#### ORDER INFORMATION

| CODE        | DESCRIPTION   | REF. |
|-------------|---|------|
| W2501000500 | CENTRAL GRAVITY GUN HOLDER (3 SPRAY GUNS)               | A    |
| W2501000100 | CENTRAL GRAVITY GUN HOLDER (1 SPRAY GUN) WALL MOUNTABLE | B    |

## AIR PRESSURE REGULATOR

### IMPACT CONTROLLER<sup>2</sup>

#### FEATURES

Air Pressure Gauge/Regulator

Joints G1/4"

Chrome plated aluminium body

Steel gauge case

Control range 0-10 bar



#### ORDER INFORMATION

| CODE        | DESCRIPTION   |
|-------------|---|
| W2012920700 | IMPACT CONTROLLER <sup>2</sup> - AIR PRESSURE REGULATOR |



4

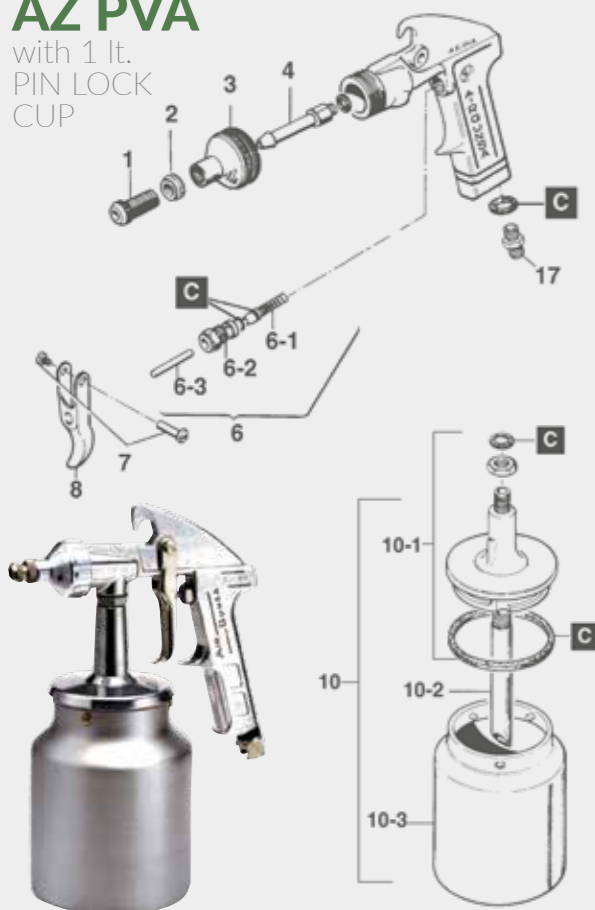
GARAGE  
EQUIPMENT



## AZ PVA - AZ PVA TN SPRAY GUNS FOR BODY COATING

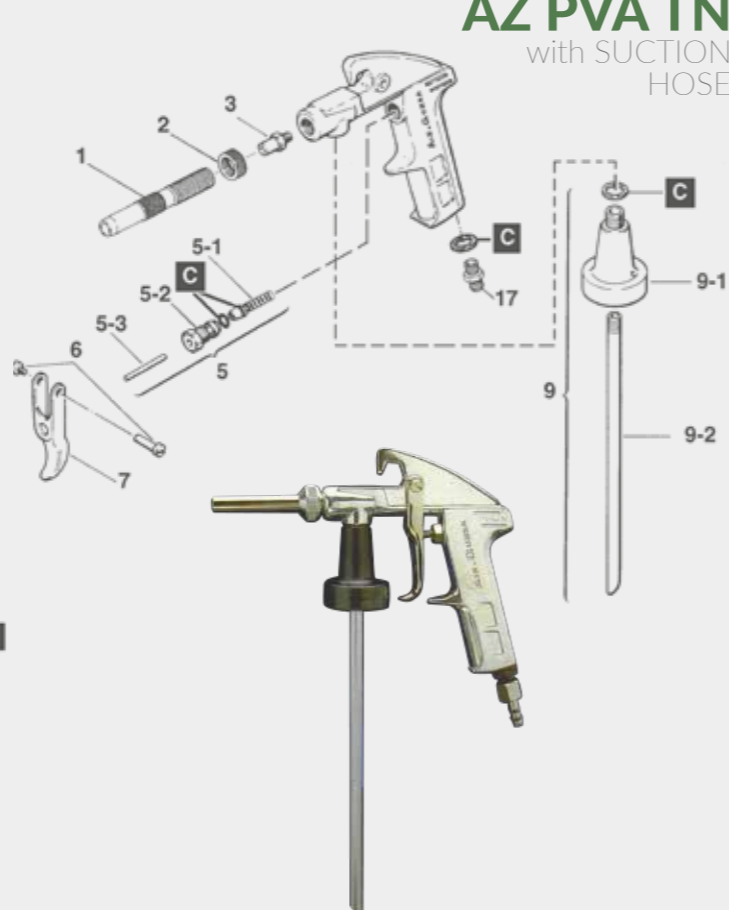
### AZ PVA

with 1 lt.  
PIN LOCK  
CUP



### AZ PVA TN

with SUCTION  
HOSE



## P6 - PL6 SPRAYERS - AE7 SPRAYER

### P6 - PL6

for Oil, Petroleum and Detergent  
with 1 lt. PIN LOCK CUP AG-1



### AE 7

for mixed  
Air and Water



### ORDER INFORMATION

| REF.                                       | CODE               | DESCRIPTION  |
|--|--------------------|--|
|  | <b>W0011300000</b> | <b>AZ PVA SPRAY GUN FOR BODY COATING with 1 lt. Aluminium Pin Lock Cup</b> |
| 1  | W2011340100        | EXTERNAL AIR CAP SET   |
| 2  | W2011340900        | JAM NUT  |
| 3  | W2011340200        | HEAD CONNECTION  |
| 4  | W2011340300        | FLUID NOZZLE   |
| 6  | W2011320100        | SEAT VALVE   |
| 6-1  | W2011330300        | VALVE  |
| 6-2  | W2011330200        | AIR VALVE SEAT SET   |
| 6-3  | W2020140200        | AIR VALVE  |
| 7  | W2COM4008          | TRIGGER STUD   |
| 8  | W2011340700        | TRIGGER  |
| 17   | W2052191414        | AIR NIPPLE G1/4" M   |
| C  | W2KIT48            | PACKING SET (7 pcs./1 pk.)   |
| <b>1 LITRE ALLUMINIUM PIN LOCK CUP SET</b> |                    |  |
| 10   | 04002460           | CONTAINER SET  |
| 10-1                                       | 04002480           | LID SET  |
| 10-2                                       | 04002500           | SUCTION HOSE   |
| 10-3                                       | 04006130           | CONTAINER 1 lt.  |

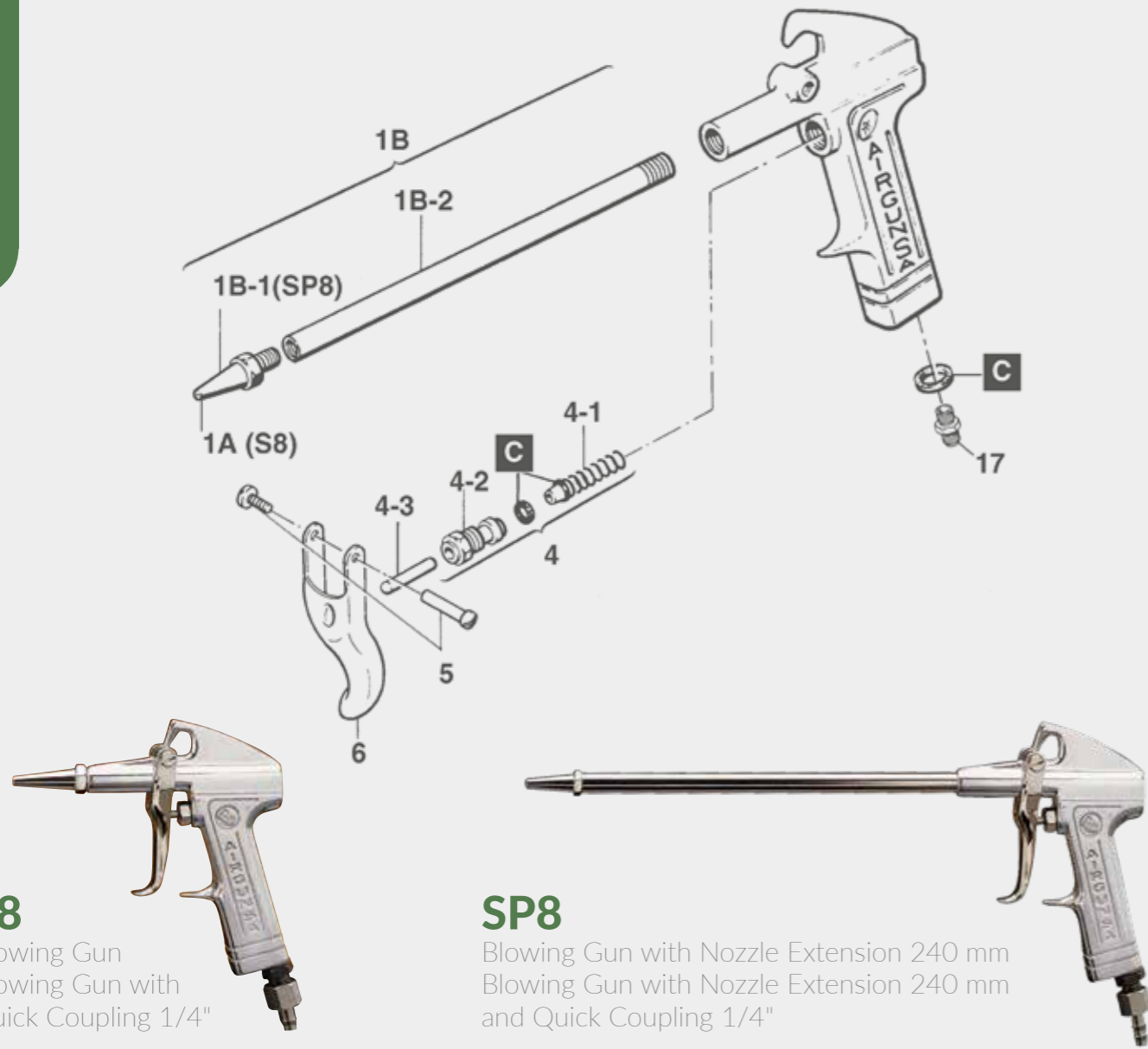
| REF. | CODE               | DESCRIPTION                                 |
|------|--------------------|---|
|      | <b>W0012200000</b> | <b>AZ PVA TN SPRAY GUN FOR BODY COATING</b> |
| 1    | W2012240600        | OUTER NOZZLE                                |
| 2    | W4020130102        | MILLED NUT FOR OUTER NOZZLE                 |
| 3    | W2030640100        | AIR CAP SET                                 |
| 5    | W2011320100        | SEAT VALVE                                  |
| 5-1  | W2011330300        | VALVE                                       |
| 5-2  | W2011330200        | AIR VALVE SEAT SET                          |
| 5-3  | W2020140200        | AIR VALVE                                   |
| 6    | W2COM4008          | TRIGGER STUD                                |
| 7    | W2011340700        | TRIGGER                                     |
| 9    | W2012220200        | KIT LID WITH HOSE                           |
| 9-1  | W2012240400        | LID   |
| 9-2  | W2012240500        | SUCTION HOSE                                |
| 17   | W2052191414        | AIR NIPPLE G1/4" M                          |
| C    | W2500100800        | PACKING SET (3 pcs./1 pk.)                  |

### ORDER INFORMATION

| REF.   | CODE               | DESCRIPTION  |
|--|--------------------|--|
|  | <b>W0020100000</b> | <b>P6 SPRAYER with 1 lt. ALUMINIUM CUP with 260 mm EXTENSION TUBE</b>  |
|  | <b>W0020200000</b> | <b>PL6 SPRAYER with 1 lt. ALUMINIUM CUP with 500 mm EXTENSION TUBE</b> |
| 1  | W2020120100        | OUTER TUBE SET 260 mm  |
| 1  | W2020220100        | OUTER TUBE SET 500 mm  |
| 1-1  | W2020140400        | NOZZLE   |
| 1-2  | W2020130100        | TUBE 260 mm  |
| 1-2  | W2020230100        | TUBE 500 mm  |
| 2  | W2020140500        | AIR CAP SET  |
| 3  | W2020140600        | INNER TUBE 260 mm  |
| 3  | W2020240100        | INNER TUBE 500 mm  |
| 5  | W2011320100        | SEAT VALVE   |
| 5-1  | W2011330300        | VALVE  |
| 5-2  | W2011330200        | AIR VALVE SEAT SET   |
| 5-3  | W2020140200        | AIR VALVE  |
| 6  | W2COM4008          | TRIGGER STUD   |
| 7  | W2011340700        | TRIGGER  |
| C  | W2KIT47            | PACKING SET (6 pcs./1 pk.)   |
| 17   | W2052191414        | AIR NIPPLE G1/4" M   |
| 18   | W2COM5048          | FLUID NIPPLE G 3/8" M  |
| <b>AG-1 - 1 lt. ALUMINIUM PIN LOCK CUP SET</b> |                    |  |
| 9  | 04006100           | AG-1 CONTAINER SET 1lt.  |
| 10   | 04006110           | LID SET  |
| 10-1   | 04010000           | SUCTION TUBE   |
| 11   | 04006130           | CONTAINER 1 lt.  |
| F  | W2KIT42            | LID PACKING SET (2 pcs./1 pk.)   |

| REF. | CODE               | DESCRIPTION                |
|------|--------------------|----------------------------|
|      | <b>W0020500000</b> | <b>AE7 SPRAYER</b>         |
| 1    | W2020530100        | NOZZLE OUTER 210 mm        |
| 2    | W2020540100        | FLUID NOZZLE               |
| 3    | W2020540200        | NOZZLE CONNECTION          |
| 5    | W2011320100        | SEAT VALVE                 |
| 5-1  | W2011330300        | VALVE                      |
| 5-2  | W2011330200        | AIR VALVE SEAT SET         |
| 5-3  | W2020140200        | AIR VALVE                  |
| 6    | W2COM4008          | TRIGGER STUD               |
| 7    | W2011340700        | TRIGGER                    |
| 9    | W2020540500        | AIR NIPPLE                 |
| 10   | W2020530200        | DRAIN VALVE                |
| 11   | W2020540300        | CONNECTION PLATE           |
| 12   | W2020540400        | HEXAGON NUT                |
| 13   | W2052293812        | CONNECTION HOSE            |
| 17   | W2052191414        | AIR NIPPLE G1/4" M         |
| C    | W2500200100        | PACKING SET (5 pcs./1 pk.) |

## S8 - SP8 BLOWING GUNS



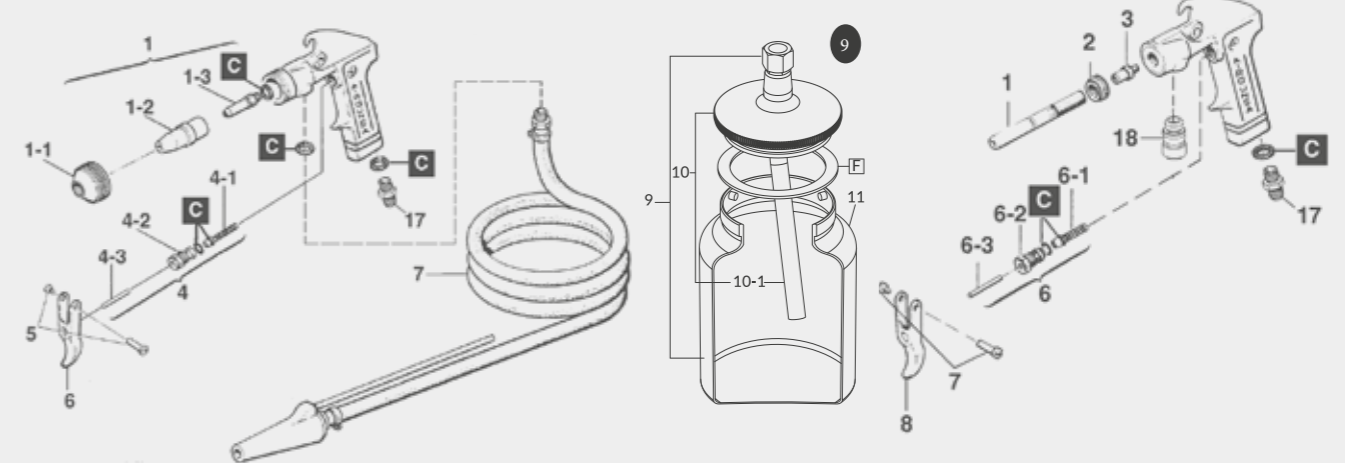
**S8**

Blowing Gun  
Blowing Gun with  
Quick Coupling 1/4"

**SP8**

Blowing Gun with Nozzle Extension 240 mm  
Blowing Gun with Nozzle Extension 240 mm  
and Quick Coupling 1/4"

## ST - ST 1 - ST 1S SANDBLASTING GUNS



**ST**

Sandblasting  
Guns

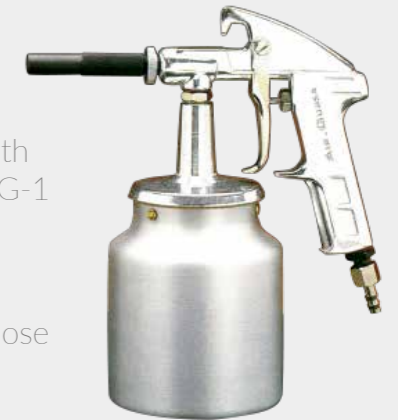


**ST1**

Sandblasting Gun with  
1 lt. Pin Lock CUP AG-1

**ST1S**

Sandblasting Gun  
with Sand Suction Hose



### ORDER INFORMATION

### ORDER INFORMATION

| CODE        | DESCRIPTION  |
|-------------|--|
| W0030100000 | <b>S8 BLOWING GUN</b>  |
| W0030200000 | <b>S8 BLOWING GUN with Quick Coupling 1/4"</b>                               |
| W0030700000 | <b>SP8 BLOWING GUN with Nozzle Extension 240 mm</b>                          |
| W0030300000 | <b>SP8 BLOWING GUN with Nozzle Extension 240 mm with Quick Coupling 1/4"</b> |

| REF.  | CODE        | DESCRIPTION                |
|-------|-------------|----------------------------|
| 1 A   | W2030140200 | NOZZLE S8                  |
| 1 B   | W2030720100 | KIT OUTER HOSE 240 mm SP8  |
| 1 B-1 | W2030740200 | OUTER HOSE SP8             |
| 1 B-2 | W2030740300 | HOSE 240 mm SP8            |
| 4     | W2011320100 | SEAT VALVE                 |
| 4-1   | W2011330300 | VALVE                      |
| 4-2   | W2011330200 | AIR VALVE SEAT SET         |
| 4-3   | W2020140200 | AIR VALVE                  |
| 5     | W2COM4008   | TRIGGER STUD               |
| 6     | W2011340700 | TRIGGER                    |
| C     | W2500300300 | PACKING SET (4 pcs./1 pk.) |
| 17    | W2052191414 | AIR NIPPLE G1/4" M         |

| REF. | CODE        | DESCRIPTION   |
|------|-------------|---|
|      | W0030500050 | ST SANDBLASTING GUN $\varnothing$ 5.0 mm with 1,5 m SAND SUCTION HOSE |
|      | W0030510150 | ST SANDBLASTING GUN $\varnothing$ 5.0 mm                              |
|      | W0030500060 | ST SANDBLASTING GUN $\varnothing$ 6.0 mm with 1,5 m SAND SUCTION HOSE |
|      | W0030510160 | ST SANDBLASTING GUN $\varnothing$ 6.0 mm                              |
| 1    | W2030520150 | NOZZLE SET $\varnothing$ 5 mm   |
| 1    | W2030520160 | NOZZLE SET $\varnothing$ 6 mm   |
| 1-1  | W2030540100 | CONNECTION AIR CAP  |
| 1-2  | W2030540550 | HARDENED STEEL OUTER NOZZLE $\varnothing$ 5 mm                        |
| 1-2  | W2030540560 | HARDENED STEEL OUTER NOZZLE $\varnothing$ 6 mm                        |
| 1-3  | W2030540400 | STAINLESS STEEL INNER NOZZLE  |
| 4    | W2011320100 | AIR VALVE SET   |
| 4-1  | W2011330300 | AIR VALVE   |
| 4-2  | W2011330200 | AIR VALVE SEAT  |
| 4-3  | W2020140200 | AIR VALVE SHAFT   |
| 5    | W2COM4008   | TRIGGER STUD  |
| 6    | W2011340700 | TRIGGER   |
| 7    | W0030530100 | SUCTION HOSE SET  |
| 17   | W2052191414 | AIR NIPPLE G1/4" M  |
| C    | W2500300100 | PACKING SET (5 pcs./1 pk.)  |

| REF.   | CODE        | DESCRIPTION  |
|--|-------------|--|
|  | W0030600000 | ST 1 SANDBLASTING GUN with 1 lt. PIN LOCK CUP AG-1 |
|  | W0030800000 | ST 1S SANDBLASTING GUN with 3 m SAND SUCTION HOSE  |
| 1  | W2030640300 | NOZZLE   |
| 2  | W2030640200 | JAM NUT  |
| 3  | W2030640100 | AIR CAP SET  |
| 6  | W2011320100 | AIR VALVE SET                                      |
| 6-1  | W2011330300 | AIR VALVE  |
| 6-2  | W2011330200 | AIR VALVE SEAT                                     |
| 6-3  | W2020140200 | AIR VALVE SHAFT                                    |
| 7  | W2COM4008   | TRIGGER STUD                                       |
| 8  | W2011340700 | TRIGGER  |
| 17   | W2052191414 | AIR NIPPLE G1/4"                                   |
| 18   | W2COM5048   | FLUID NIPPLE G3/8" M                               |
| C  | W2KIT47     | PACKING SET (6 pcs./1 pk.)                         |
| C  | W2500300200 | PACKING SET (4 pcs./1 pk.) (ST1S)                  |
| M  | W0030830100 | SUCTION HOSE (ST1S)                                |
| <b>AG-1 - 1 lt. ALUMINIUM PIN LOCK CUP SET</b> |             |  |
| 9  | 04006100    | AG-1 CONTAINER SET                                 |
| 10   | 04006110    | LID SET  |
| 10-1   | 04010000    | SUCTION TUBE                                       |
| 11   | 04006130    | CONTAINER 1 lt.                                    |
| F  | W2KIT42     | LID PACKING SET (2 pcs./1 pk.)                     |



## PROFESSIONAL COATING EQUIPMENT SPECIALIST

### EUROPE

ANEST IWATA Strategic Center S.r.l.  
Cardano al Campo (VA) - ITALY  
info@anest-iwata-st.com  
www.anest-iwata-coating.com

ANEST IWATA Deutschland GmbH  
Leipzig - GERMANY  
info@anest-iwata-de.com  
www.anest-iwata-coating.com

ANEST IWATA France S.A.  
Saint Quentin Fallavier, Lyon - FRANCE  
info@anest-iwata-fr.com  
www.anest-iwata-coating.com

ANEST IWATA U.K. Ltd.  
St. Neots Cambridgeshire - ENGLAND  
info@anest-iwata-uk.com  
www.anest-iwata-coating.com

ANEST IWATA Iberica S.L.U.  
Saint Adrià del Besos Barcelona - SPAIN  
info@anest-iwata-ib.com  
www.anest-iwata-coating.com

ANEST IWATA Scandinavia AB.  
Partille, Göteborg - SWEDEN  
info@anest-iwata-se.com  
www.anest-iwata-coating.com

ANEST IWATA Polska Sp. Z o.o.  
Jasin / Swarzędz - POLAND  
info@anest-iwata-pl.com  
www.anest-iwata-coating.com

### NORTH AMERICA

ANEST IWATA Americas, INC.  
West Chester - Ohio - U.S.A.  
inquiry@anestiwata.com  
www.anestiwata.com

### MÉXICO

ANEST IWATA México, S.De R.L.De C.V.  
Guanajuato - MÉXICO  
info@anestiwatamexico.com  
www.anestiwatamexico.com

### BRAZIL

AIRZAP-ANEST IWATA INDÚSTRIA COMÉRCIO Ltda.  
Sao Paulo - BRAZIL  
contato@anest-iwata.net.br  
www.anest-iwata.net.br

### RUSSIA

ANEST IWATA Russia LLC  
Moscow - RUSSIA  
tam@anestiwata.ru  
www.anestiwata.ru

### AUSTRALIA

ANEST IWATA Australia Pty Ltd.  
Sidney - AUSTRALIA  
info@anest-iwata.com.au  
www.anest-iwata.com.au

### SOUTH AFRICA

ANEST IWATA South Africa Pty Ltd.  
Johannesburg - REPUBLIC OF SOUTH AFRICA  
www.anest-iwata.co.za

### ASIA

ANEST IWATA KOREA Corporation  
Ansan City - KOREA  
inquiry@airk.co.kr - www.airk.co.kr

ANEST IWATA Motherson Coating Equipment Ltd.  
Noida - INDIA  
sales@aim.motherson.com  
www.motherson.com  
anest-iwata-motherson.html

ANEST IWATA Shanghai Corporation  
Shanghai - CHINA  
customer@anest-iwata-sh.com  
www.anest-iwata-sh.com

ANEST IWATA Vietnam CO. Ltd.  
Ho Chi Minh City - VIETNAM  
info@anest-iwata.vn  
www.anest-iwatasoutheastasia.com

PT. ANEST IWATA Indonesia  
Jakarta - INDONESIA  
www.anest-iwatasoutheastasia.com

ANEST IWATA Southeast Asia CO. Ltd.  
Bangkok - THAILAND  
info@anest-iwata.co.th  
www.anest-iwatasoutheastasia.com

### HEADQUARTER

ANEST IWATA Corporation  
Yokohama - JAPAN  
www.anest-iwata.co.jp

ANEST IWATA Strategic Center S.r.l.  
Cardano al Campo (VA) - ITALY  
info@anest-iwata-st.com  
www.anest-iwata-coating.com