

HIGH PRESSURE
COATING EQUIPMENTS



USE AND
MAINTENANCE
INSTRUCTION
MANUAL

iCon[®]
XB

PUMPS



iCon-M233N

Multi Spray Pumps

iCon-A233N

Airless Pumps



UK
CA

CE






Dear Customer,

We thank you for the preference you gave us and we are glad to count you among our customers.

We hope the use of this equipment will satisfy you and your staff.





1. IMPORTANT INFORMATION



IMPORTANT	
	This manual is an integral part of the equipment and must be read carefully before starting ANY ACTIVITY involving the use, adjustment and maintenance of the unit, including its handling. This manual must be stored in a safe place for any future reference. Be sure to observe warnings and cautions in this instruction manual. If not, it can cause paint ejection and serious bodily injury by drawing organic solvent.
  II 2 G T6 X	ANEST IWATA ICON Pump Unit complies to ATEX regulations 2014/34/EU; <ul style="list-style-type: none"> • Protection level: II 2G T6 • Equipment group: II • Category: Gas 2G (Suitable for use in zones 1 and 2) • Area: Gas 1 • Maximum superficial temperature: Temperature class T6









ALWAYS OBSERVE WARNINGS AND CAUTIONS IN THIS MANUAL



WARNING	HAZARD LEVEL	CONSEQUENCE
WARNING	POTENTIALLY HAZARDOUS SITUATION	DEATH OR SERIOUS INJURY
CAUTION	POTENTIALLY HAZARDOUS SITUATION	PROPERTY DAMAGE



2. SAFETY WARNING

 WARNING	FIRE AND EXPLOSION HAZARDS
	SPARKS AND OPEN FLAMES ARE STRICTLY PROHIBITED Paints can be highly flammable and can cause fire. Avoid any ignition sources such as smoking, open flames, electrical goods, etc.
	SECURELY GROUND PUMP UNIT BY INCLUDED GROUND WIRE: 1.6m - Crimping Terminal \varnothing 6.5 ELECTRICAL RESISTANCE: > 1M Ω . Check this value periodically. Securely ground pump, spray gun, workpiece and containers containing paint or solvent. Insufficient grounding can cause fire and explosion due to static electric sparking.
	NEVER USE THE FOLLOWING HALOGENATED HYDROCARBON SOLVENTS which can cause cracks or dissolution of some pump's components by chemical reaction. UNSUITABLE SOLVENTS: methyl chloride, dichloromethane, 1,2-dichloroethane, carbon tetrachloride, trichloroethylene, 1,1,1-trichloroethane. BE SURE THAT ALL FLUIDS AND SOLVENTS ARE COMPATIBLE WITH EQUIPMENT'S PARTS. We can supply a list of materials used to manufacture the product.

 WARNING	IMPROPER USE OF THE EQUIPMENT
	NEVER POINT SPRAY GUN TOWARDS PEOPLE OR ANIMALS. NEVER PULL TRIGGER OF GUN WHEN HUMAN BODY OR FINGERS COME NEAR THE BOTTOM OF NOZZLE TIP. If done, it can cause inflammation of eyes and skin or bodily injury. If you feel any abnormality during operation, consult a medical doctor immediately.
	NEVER EXCEED MAXIMUM OPERATING PRESSURE AND MAXIMUM OPERATING TEMPERATURE. Overcoming pressure limit can cause the explosion of the pump resulting in great danger.
	BE SURE TO RELEASE AIR AND FLUID PRESSURE BEFORE CLEANING, DISASSEMBLING OR SERVICING. If not, remaining pressure can cause bodily injury due to improper operation or scattering cleaning liquid. In order to release pressure, first stop supply air to pump.

 WARNING	PROTECTION OF HUMAN BODY
	USE IN A WELL-VENTILATED SITE BY USING A SPRAY BOOTH. If not, poor ventilation can cause organic solvent poisoning and catch fire. If you feel any abnormality during operation, consult a medical doctor immediately.
 	ALWAYS WEAR PROTECTIVE GEAR (safety glasses, mask, gloves.) If not, cleaning liquid can cause inflammation of eyes and skin. If you feel something wrong, consult a medical doctor immediately.
 	The noise level of ANEST IWATA Spray Gun doesn't exceed the 85 dB (A) A-weighted sound pressure value about the risk of daily exposure to noise. THE USE OF INDIVIDUAL HEARING PROTECTION IS ALWAYS RECOMMENDED, because the terms of use and the influence of other noises in the job area, could increase the average value allowed.
 	BE SURE TO STOP PUMP, REDUCE AIR AND FLUID PRESSURE DOWN TO 0 AND SECURELY APPLY SAFETY LOCK OF SPRAY GUN BEFORE FIT OR REMOVE NOZZLE TIP. Emission of paint or solvent during operation can cause great danger.
	For emergency stop, when the distance between the gun and the pump unit is fairly wide, it is recommended to install a ball valve to close the delivery paint at gun inlet.
	NEVER TRY TO STOP LEAKS BY HAND, WHEN PAINT LEAKS. In case of leaks, stop pump immediately and reduce paint pressure down to 0. High pressure paint emission, can cause severe injury to the body resulting in a great danger for health. If you feel any abnormality or receive any injury, consult a medical doctor immediately.
	Pulling trigger many times during operation, may cause carpal tunnel syndrome. ALWAYS REST, IN CASE OF TIREDNESS.

 WARNING	OTHER PRECAUTIONS
	NEVER ALTER THIS PUMP UNIT. If done, it can cause insufficient performance and failure or in extreme cases, explosions.
	DO NOT ENTER IN WORKING AREAS WHERE ROBOTS, RECIPROCATORS, ETC. ARE USED, UNTIL THEY HAVE BEEN TURNED OFF. Otherwise they could cause injury.
	NEVER USE THIS PUMP TO SPRAY FOODS OR PHARMACEUTICAL CHEMISTRY PRODUCTS. Otherwise, foreign substance could cause corrosion of fluid passages which could adversely affect health.
	IF SOMETHING GOES WRONG, IMMEDIATELY STOP OPERATION AND FIND THE CAUSE. Do not use the pump again until you have solved the problem.
	NEVER USE SPARE PARTS THAT ARE NOT ANEST IWATA ORIGINALS.

 WARNING	BURST OF FLUID HOSE
	NEVER USE CRACKED, DAMAGED, BENT OR CRUSHED FLUID HOSE. High pressure paint emitted from small hole can pierce an iron plate and cause great danger.
	NEVER BEND FLUID HOSE WITH A RADIUS OF LESS THAN PERMITTED BEND RADIUS. Contact us, or the shop who sold the hose to you, about permitted bend radius. Never put heavy things on paint hose, in order not to damage the it. If done, the hose can explode causing great danger.

3. RELATED MANUAL

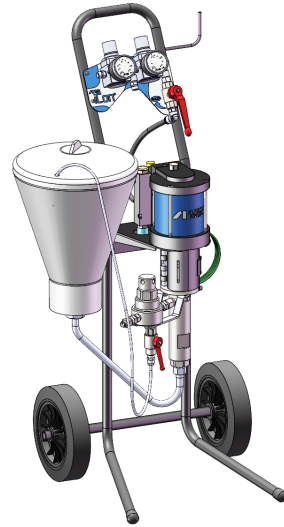
Manual Code	Model	Description
040057A0	ICON-M233N/ ICON-A233N	ICON Pump
W5MSG5	MSG5-200 EVO	Multi manual spray gun
MJ T080-00	ALG-7 TE	Airless manual spray gun

iCon MULTI SPRAY Pumps CONFIGURATION**ICON M233N-S****Pump Unit mounted on CART with SUCTION HOSE SET**

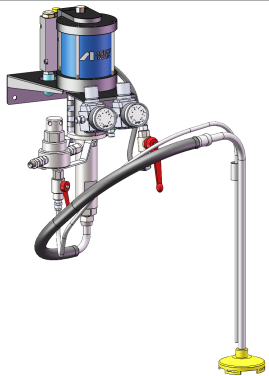
2 Air Pressure Regulators (1 for pump and 1 for gun)
 Delivery Paint Filter unit TF-1S (100 mesh)
 Suction hose with filter (50 mesh)
 Fluid Recirculation Hose
 Dimensions (LxWxH): 495 x 450 x 965 mm - Weight 16 Kg

**ICON M233N-H****Pump Unit mounted on CART with Gravity HOPPER SET**

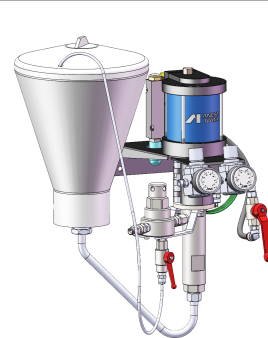
2 Air Pressure Regulators (1 for pump and 1 for gun)
 Delivery Paint Filter unit TF-1S (100 mesh)
 Gravity Hopper set (6 Lt.) with filter (50 mesh)
 Fluid Recirculation Hose
 Dimensions (LxWxH): 495 x 550 x 965 mm - Weight 16 Kg

**ICON M233N-SWM****Pump Unit mounted on WALL MOUNT with SUCTION HOSE SET**

2 Air Pressure Regulators (1 for pump and 1 for gun)
 Delivery Paint Filter unit TF-1S (100 mesh)
 Suction Hose set with filter (50 mesh)
 Fluid Recirculation Hose
 Dimensions (LxWxH): 380 x 320 x 515 mm - Weight 11Kg

**ICON M233N-HWM****Pump Unit mounted on WALL MOUNT with HOPPER SET**

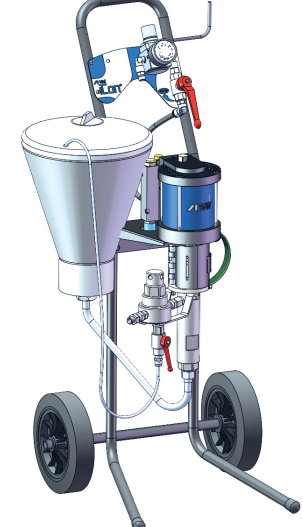
2 Air Pressure Regulators (1 for pump and 1 for gun)
 Delivery Paint Filter unit TF-1S (100 mesh)
 Gravity Hopper set (6 Lt.) with filter (50 mesh)
 Fluid Recirculation Hose
 Dimensions (LxWxH): 380 x 420 x 515 mm - Weight 11Kg

**iCon AIRLESS Pumps CONFIGURATION****ICON A233N-S****Pump Unit mounted on CART with SUCTION HOSE SET**

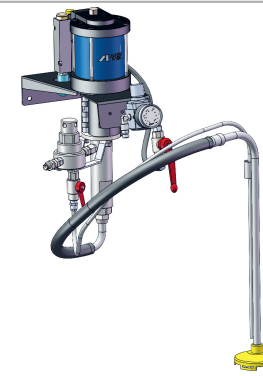
Air Pressure Regulator
 Delivery Paint Filter unit TF-1S (100 mesh)
 Suction hose with filter (50 mesh)
 Fluid Recirculation Hose
 Dimensions (LxWxH): 495 x 450 x 965 mm - Weight 16 Kg

**ICON A233N-H****Pump Unit mounted on CART with Gravity HOPPER SET**

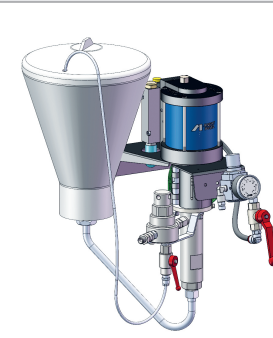
Air Pressure Regulator
 Delivery Paint Filter unit TF-1S (100 mesh)
 Gravity Hopper set (6 Lt.) with filter (50 mesh)
 Fluid Recirculation Hose
 Dimensions (LxWxH): 495 x 550 x 965 mm - Weight 16 Kg

**ICON A233N-SWM****Pump Unit mounted on WALL MOUNT with SUCTION HOSE SET**

Air Pressure Regulator
 Delivery Paint Filter unit TF-1S (100 mesh)
 Suction Hose set with filter (50 mesh)
 Fluid Recirculation Hose
 Dimensions (LxWxH): 380 x 320 x 515 mm - Weight 11Kg

**ICON A233N-HWM****Pump Unit mounted on WALL MOUNT with HOPPER SET**

Air Pressure Regulator
 Delivery Paint Filter unit TF-1S (100 mesh)
 Gravity Hopper set (6 Lt.) with filter (50 mesh)
 Fluid Recirculation Hose
 Dimensions (LxWxH): 380 x 420 x 515 mm - Weight 11Kg

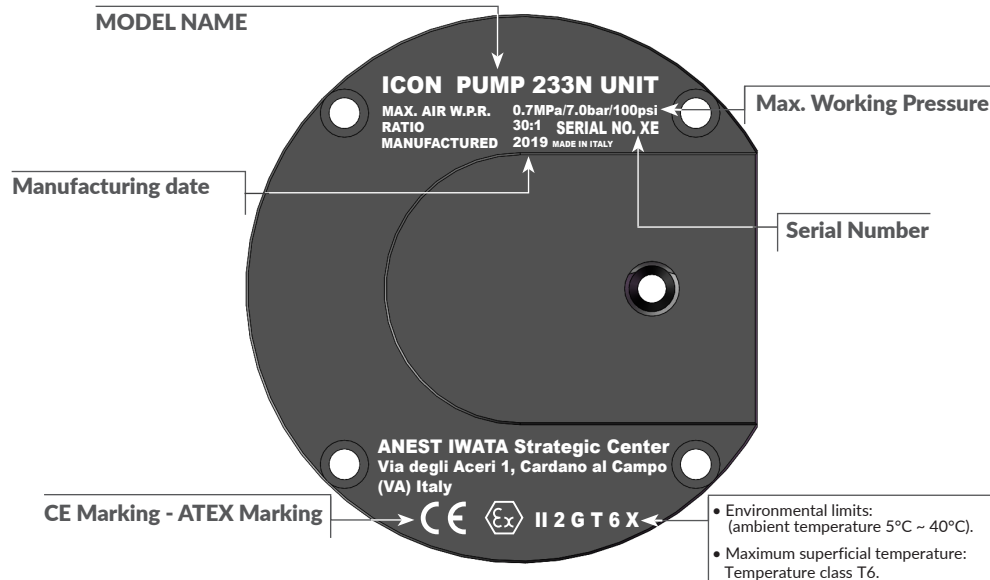


4. TECHNICAL DATA

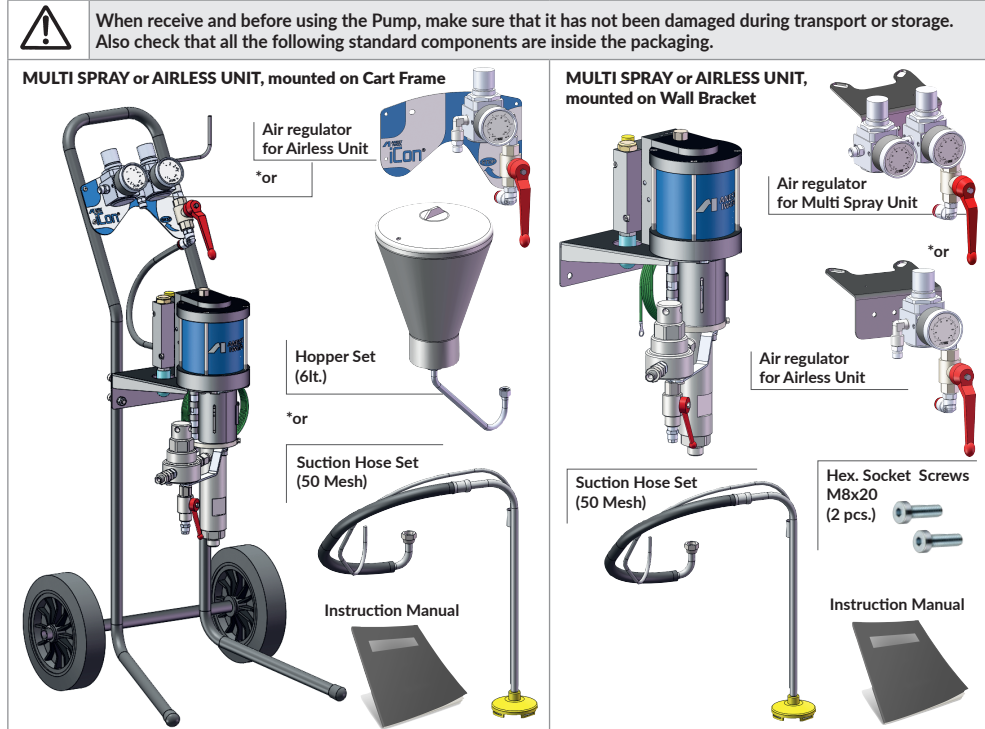
VERSIONS		ICON-M233N	ICON-A233N
Plunger Pump:		PP-3025N	
Air Motor cylinder diameter:		100 mm	
Paint filter:	Paint delivery filter	TF-1S (100 Mesh)	
	Fluid suction filter	50 Mesh	
Max. fluid working pressure:		210 bar (21 MPa)	
Max. air inlet pressure:		7.0 bar (0.7 MPa)	
Pressure ratio:		30:1	
Working temperature:		5°~40° C	
Noise level:		84.7 dB(A)	
Air consumption		110 NI/min. at 30 cyc/min.	
Fluid output:	Max. fluid delivery	25 ml	
	Max. volume/min.	2.5 l/min.	
Max. No. of cycles per minute		100 cyc	
Wetted parts material:	Paint filter set	Body: AISI303 - Filter: AISI304/Polyamide	
	Suction hose set	Hose: Rubber - Pipe, Filter and Connection: AISI304	
	Fluid pump	Mainly: AISI303 - PE - PTFE	

5. PRODUCT IDENTIFICATION

PLATE DATA: The manufacturer's identification data are applied on Multi Spray and Airless Units (see picture below). They must not be delated at all, even if the equipment is resold. For any communication with the manufacturer always mention the serial number written on the pump itself.



6. BOX CONTENT



6.1 TRANSPORT and HANDLING

To transport the equipment, only the systems described below can be used. In any case, make sure that the transport and lifting device can bear the weight of the equipment with its packaging.

WARNING	ALWAYS KEEP THE PACKAGING IN VERTICAL POSITION.
	IT IS ADVISABLE THAT THE STAFF IN CHARGE OF HANDLING THE EQUIPMENT WEAR PROTECTIVE GLOVES AND SAFETY SHOES.
	WHILE LIFTING OR HANDLING THE EQUIPMENT OR ANY OF ITS COMPONENTS CLEAR THE WORKING AREA. LEAVE ALSO A SUFFICIENT SAFETY AREA AROUND THE EQUIPMENT TO AVOID DAMAGING PEOPLE OR OBJECTS.

6.2 HANDLING and STORAGE

THE EQUIPMENT IS PUT INSIDE A CARDBOARD PACKAGING AND WRAPPED WITH SOME SHOCK-PROOF MATERIAL.

WARNING	TO HANDLE THE CARDBOARD PACKAGING USE A TROLLEY.
	FOLLOW THE INSTRUCTIONS ON THE PACKAGING BEFORE HANDLING AND OPENING IT.
	DURING TRANSPORT AND STORAGE MAKE SURE THE TEMPERATURES BETWEEN 0 AND 40°C ARE NOT EXCEEDED. IN CASE OF STORAGE, MAKE SURE THE EQUIPMENT IS NOT PUT IN PLACES WITH AN EXCESSIVE HUMIDITY.

7. INSTALLATION

⚠ WARNING	SAFETY PRECAUTION
	TO ENSURE THE GOOD WORKING OF THE EQUIPMENT AND OF ITS SAFETY DEVICES, THE PUMP MUST BE INSTALLED BY A QUALIFIED STAFF. THE ORIGINAL CONFIGURATION OF THE EQUIPMENT MUST BE NOT CHANGED AT ALL.
	SECURELY GROUND PUMP, SPRAY GUN BY USING CONDUCTIVE FLUID HOSE AND GROUND WIRE SUPPLIED WITH EQUIPMENT.
	CHECK THE PROPER TIGHTENING OF ALL FITTINGS, SINCE THEIR SUDDEN OPENING CAN SERIOUSLY INJURE PEOPLE.
	CAREFULLY READ AND OBSERVE SAFETY WARNING OF THE INSTRUCTIONL OF THE SPRAY GUNS TO BE USED. ICON-M233N: MSGS-200 EVO / ICON-A233N: ALG7 TE
	BEFORE INSTALLATION SET THE AIR AND FLUID REGULATORS TO 0 bar.
	MOVING PARTS OF THE PUMP COULD CUT OFF THE FINGERS OR SERIOUSLY INJURE THE HUMAN BODY. DURING THE OPERATION IT IS ABSOLUTELY FORBIDDEN TO OPEN THE SAFETY GUARDS OR INTRODUCE THE FINGERS INSIDE.

7.1 INSTALLATION OF ICON-M233N

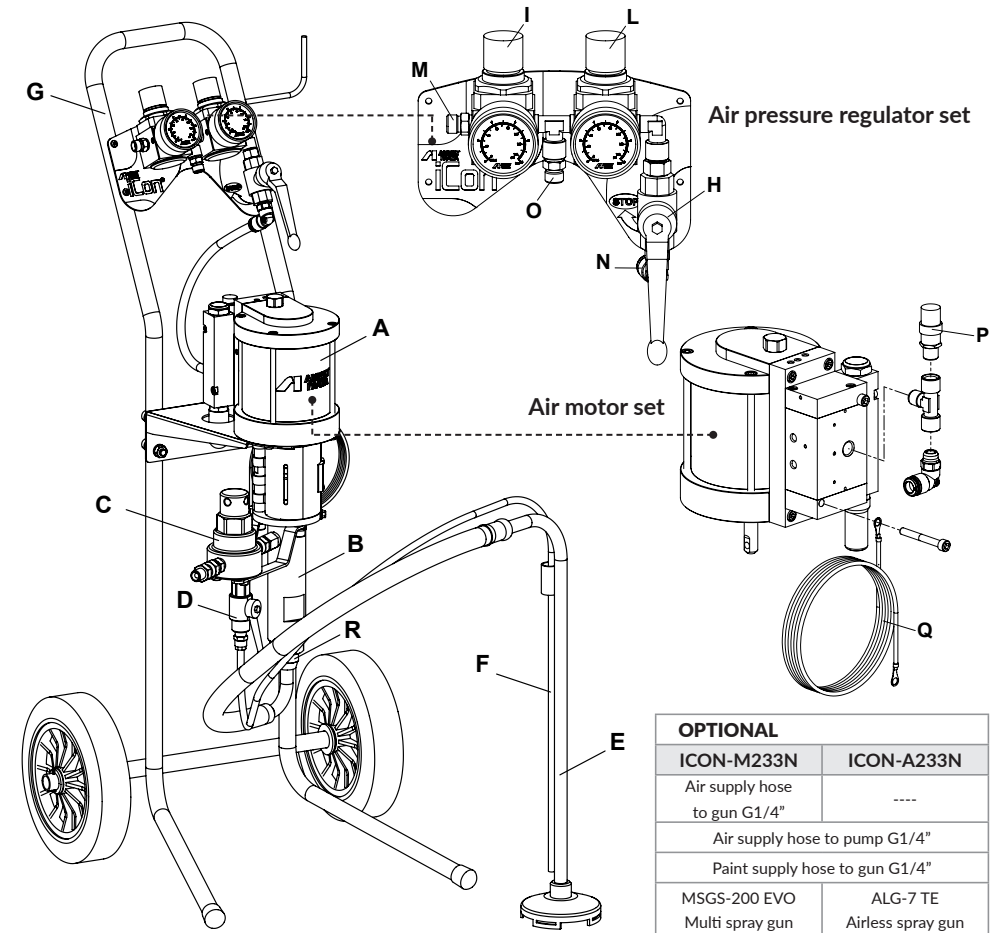
IMPORTANT: See next page for configuration parts list.

- Place the equipment on a horizontal surface.
- Firmly connect the suction hose (E) or the hopper to the paint inlet joint (R) and the drain hose (F) to the drain valve (D).
- Connect the twin hose for paint & air, to the paint supply of delivery paint filter (C) and to the air supply of air regulator joint (M).
- Properly connect the free end of the grounding wire (Q) to the ground.
- Connect the other end of the air/paint twin hose to the spray gun inlet joints.
- Connect the air supply hose to the air supply inlet joint (O).

7.2 INSTALLATION OF ICON-A233N

- Place the equipment on a horizontal surface.
- Firmly connect the suction hose set (E) to the paint inlet joint (R) and the drain hose (F) to the drain valve (D).
- Connect the paint hose to the paint supply of delivery paint filter (C).
- Properly connect the free end of the grounding wire (Q) to the ground.
- Connect the other end of the paint hose to the spray gun inlet joint.
- Connect the air supply hose to the air supply inlet joint (O).

7.3 UNIT CONFIGURATION



OPTIONAL	
ICON-M233N	ICON-A233N
Air supply hose to gun G1/4"	----
Air supply hose to pump G1/4"	
Paint supply hose to gun G1/4"	
MSGS-200 EVO Multi spray gun	ALG-7 TE Airless spray gun

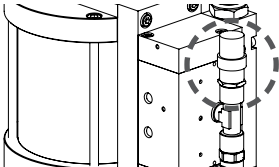

MAIN CONFIGURATION

PLUNGER PUMP			
A	Air motor	I	Pressure regulator (for spray gun)
B	Fluid pump	L	Pressure regulator (for pump)
C	Paint delivery filter TF-1S (100 mesh)	M	Supply air nipple to spray gun
D	Drain valve	N	Supply air nipple to pump
E	Suction hose	O	Air inlet
F	Drain hose 1.7 m - ø 6 x 8	P	Safety valve
G	Cart set	Q	Ground wire 1.6 m
H	Safety ball valve	R	Fluid inlet joint

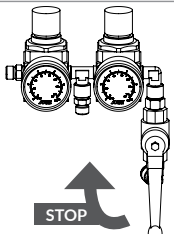

8. SAFETY SYSTEMS

Several safety systems have been conceived during the ICON Units design and manufacture to safeguard the operator, in compliance with EN 12621:2010 Directive about paint.

8.1 SAFETY VALVE


	A 8 BAR CALIBRATED SAFETY VALVE IS INSTALLED TO ENSURE THE PUMP WORKING PRESSURE DOES NOT EXCEED THE LIMITS INSIDE THE FEEDING CIRCUIT.
	WARNING! DO NOT REMOVE THE VALVE PLASTIC PROTECTION. ANY TAMPERING WITH COULD BE DANGEROUS FOR THE OPERATOR AND COMPROMISE THE EQUIPMENT GOOD WORKING.

8.2 SAFETY BALL VALVE


	WARNING	
		IN CASE OF ANOMALIES DURING WORKING, TURN 90° THE BALL VALVE LEVER FOR EMERGENCY STOP. IN THIS WAY THE AIR SUPPLY WILL BE INTERRUPTED AND THE RESIDUAL PRESSURE INSIDE THE PUMP WILL BE RELEASED.

9. WORKABLE PRODUCTS


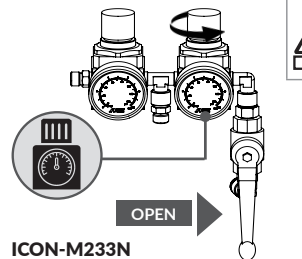
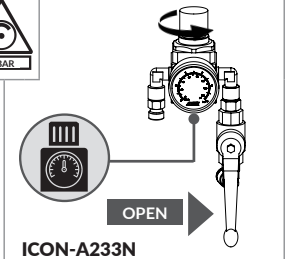
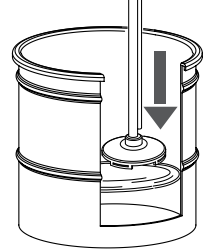
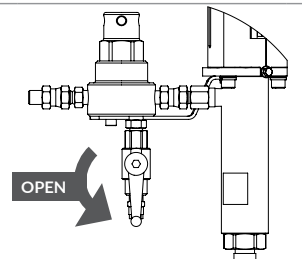
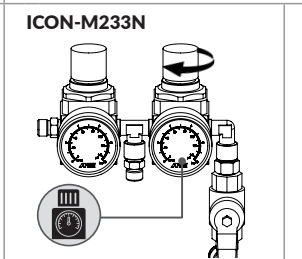
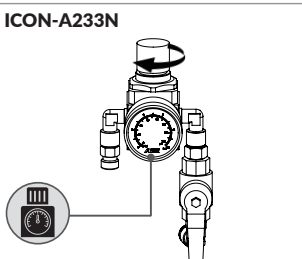
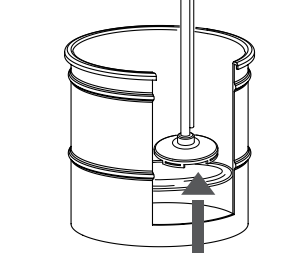
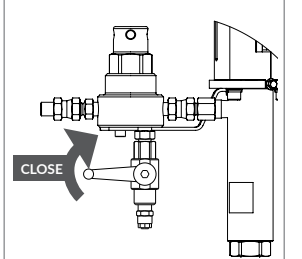
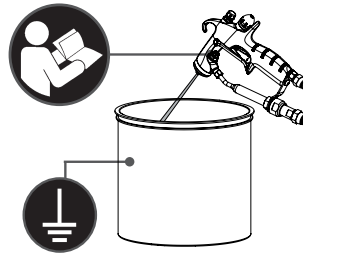
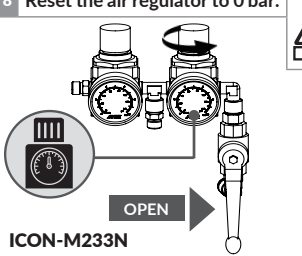
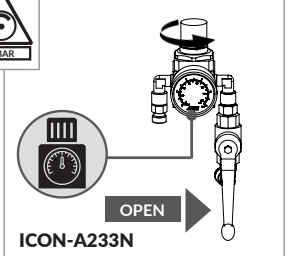
ANEST IWATA ICON PUMPS ARE CONCEIVED TO PAINT FERROUS MATERIAL IN GENERAL, WOOD AND PLASTIC.

WARNING	TO USE THE EQUIPMENT WITH SPECIAL PRODUCTS ASK FOR THE APPROVAL OF THE MANUFACTURER.
	DO NOT USE: - ANY HALOGENATED HYDROCARBON SOLVENTS, SUCH AS TRICHLOROETHANE, METHYLENE CHLORIDE OR SOMETHING LIKE THAT; - ANY TOXIC PRODUCTS SUCH AS PETROL, KEROSENE OR COMBUSTIBLE GASES; - ANY HERBICIDE OR PESTICIDE;- ANY RADIOACTIVE FLUID;

10. OPERATION

	WARNING SECURELY GROUND PUMP, SPRAY GUN, WORKPIECE AND CONTAINERS CONTAINING CLEANING LIQUID USED DURING FLUSHING. USE ONLY CONDUCTIVE PAILS PLACED ON GROUNDED SITE. Insufficient grounding can cause fire and explosion due to the static electric sparking.
---	---

10.1 FLUSHING BEFORE USING

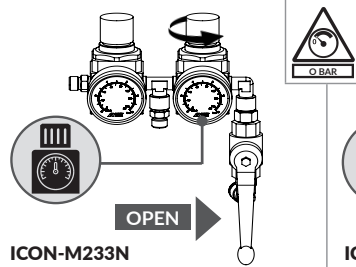
 ATTENTION! THE PUMP MUST BE CLEANED BEFORE USING IT FOR THE FIRST TIME, AFTER WORKING AND AFTER ANY COLOUR CHANGE.		
1 After installation (chapt. 7), before to supply air to the pump, confirm that the ball valve is open and the air regulator is adjusted to 0 bar.	2 Immerse the suction hose in the container, containing cleaning liquid.	
		
3 Open the drain valve for fluid recirculation.	4 Set the pressure regulator up slowly, to the minimum pressure required for the straight and alternate movement of the piston.	
		
5 After flushing, discharge the used detergent through the drain hose, lifting the suction hose beyond the liquid level.	6 Close the drain valve.	7 Flow out the cleaning liquid from spray gun.
		
8 Reset the air regulator to 0 bar.		
		

10.2 USE

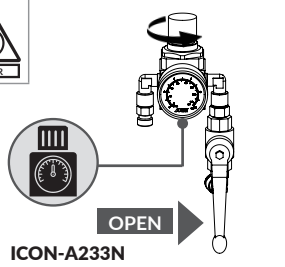


IMPORTANT! BEFORE USE of the pump it is **IMPORTANT TO READ CAREFULLY** and observe the warnings and cautions contained in **THE INSTRUCTION MANUAL OF THE GUN TO BE USE**. MSGS-200 EVO (with Multi Spray Pump) or ALG-7 TE (with Airless Pump).

- 1 After Flushing (see 10.1), before to supply air to the pump, confirm that the ball valve is open and the air regulator is adjusted to 0 bar.

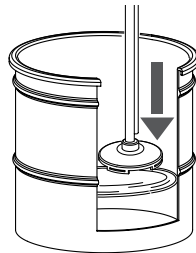


iCon-M233N

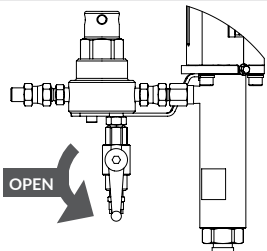


iCon-A233N

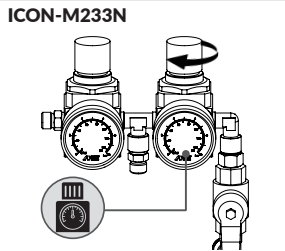
- 2 Immerse the suction hose in the container, containing paint.



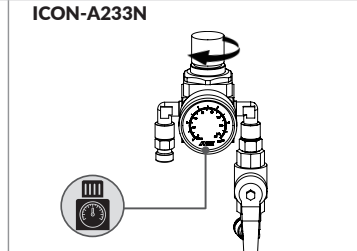
- 3 Open the drain valve for recirculation of fluid.



- 4 Set the pressure regulator up slowly, to the minimum pressure required for the straight and alternate movement of the piston.

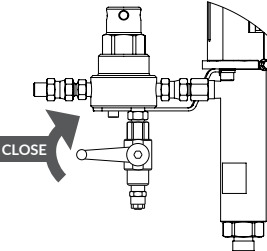


iCon-M233N

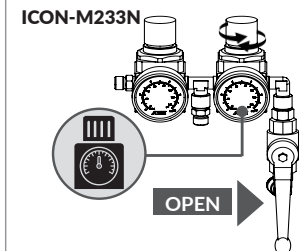


iCon-A233N

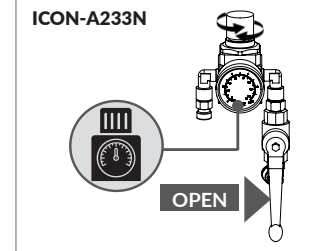
- 5 Ensure that the paint comes out from recirculation hose, then close the drain valve.



- 6 Adjust the air pressure regulator, to the collect **FLUID WORKING PRESSURE**.

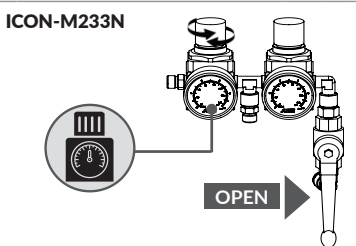


iCon-M233N



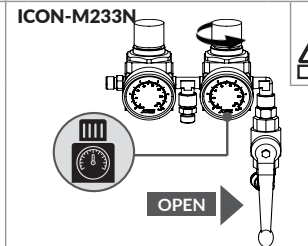
iCon-A233N

- 7 Adjust the air pressure regulator to collect **ATOMIZING PRESSURE**.

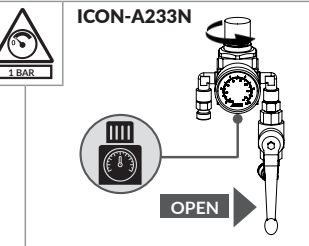


iCon-M233N

- 8 When finished to spray, set the air pressure regulator of the pump at less than 1 bar, then repeat the instruction from points 5 to 8 on page 13.



iCon-M233N

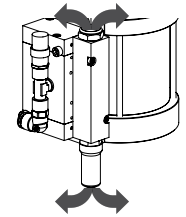


iCon-A233N

WARNING!



DURING OPERATION, THE PUMP RELEASES EXHAUST AIR FROM THE AIR MUFFLER. DO NOT TOUCH THE EXHAUST BLOCK, WHILE THE PUMP IS OPERATING.



10.3 INCREMENTAL FLUID PRESSURE

Model	RATIO	AIR REGULATOR SETTING	INCREMENTAL FLUID PRESSURE
iCon-M233N	30:1	0.3MPa (3bar - 43.5psi)	9.0MPa (90bar - 1305psi)
iCon-A233N		0.5MPa (5bar - 72.5psi)	15.0MPa (150bar - 2175psi)
		0.7MPa (7bar - 100psi)	21.0MPa (210bar - 3045psi)

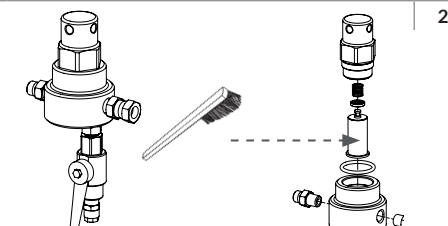
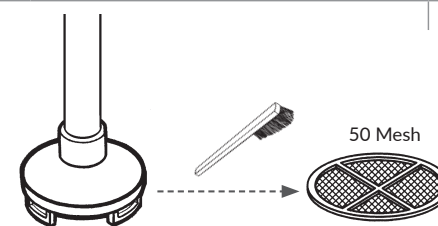
11. ORDINARY MAINTENANCE

11.1 DAILY MAINTENANCE

- 1 **FLUSHING THE PUMP:** Clean the pump unit after working and after any color change.
- 2 **MAKE SURE THERE ARE NO PAINT OR AIR LEAKS:** Check that the hoses are not damaged and that all threaded connections are firmly tightened. Intervene immediately if you find any anomalies and replace it in case of damage.

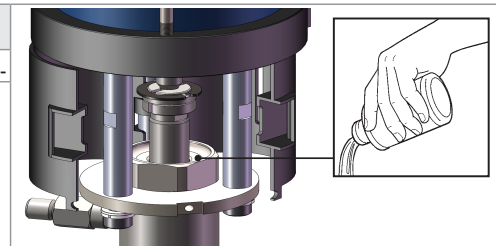
11.2 MONTHLY MAINTENANCE

- 1 **CHECK THE SUCTION HOSE FILTER:** Check about clogging or damaging of filter. Clean or replace it, if it is necessary.
- 2 **CHECK THE FILTER INSIDE THE DELIVERY PAINT FILTER TF-15:** Check about clogging or damaging. Clean or replace it, if it is necessary.

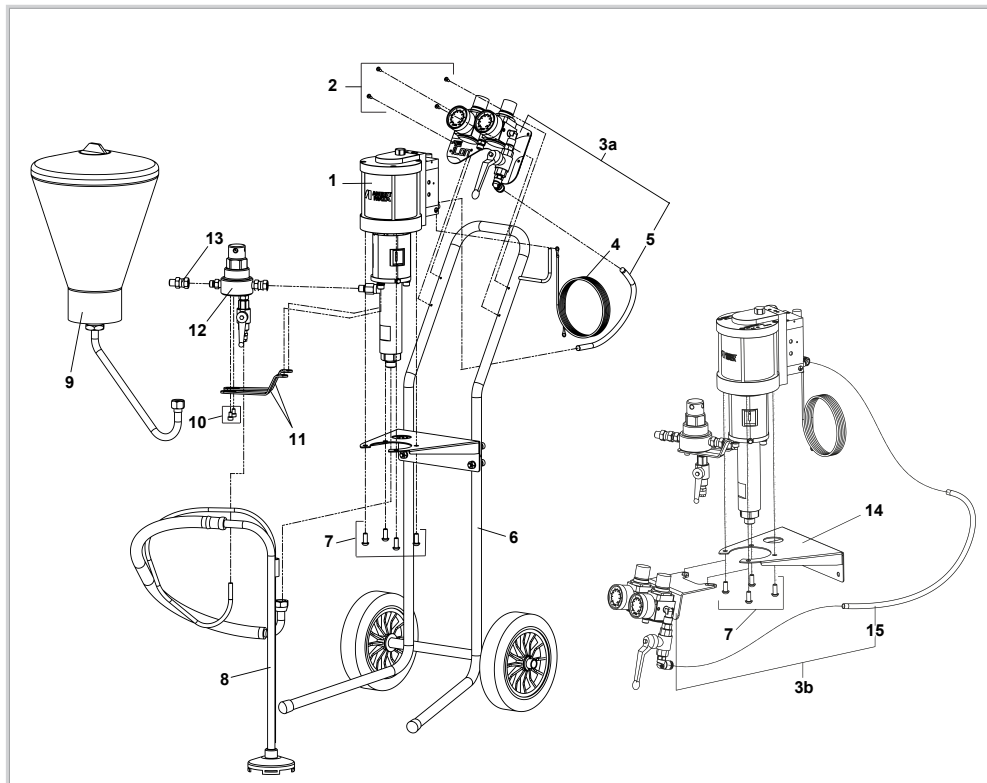


ADVICE!

THE iCON X3 PUMP HAS BEEN DESIGNED TO WORK WITH PAINTS WITHOUT THE NEED FOR LUBRICANT. HOWEVER, IN CASE OF INTENSIVE USE, IT IS ADVISABLE TO ADD THE ANEST IWATA LUBRICANT (94445770 - NOT INCLUDED) INTO THE PACKING HOLDER TO EXTEND THE LIFE OF THE GASKETS.

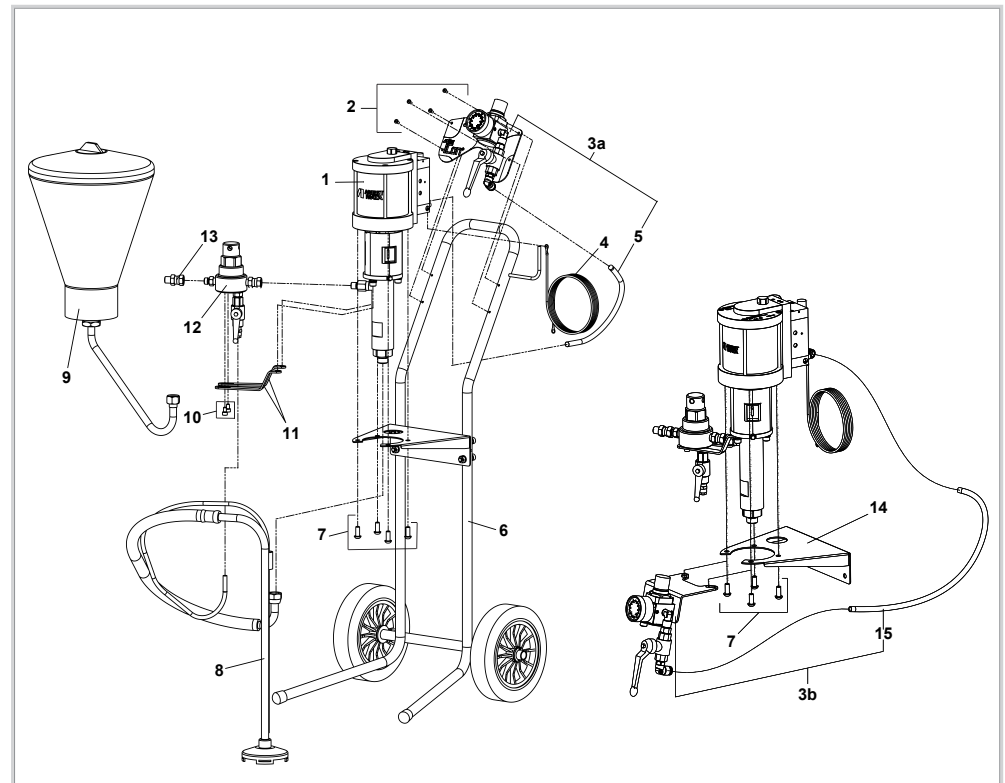


12. EXPLODED VIEWS AND SPARE PARTS LIST Multi Spray version



Ref.	Code	Description
1	-	PLUNGER PUMP (PP-3025N)
2	94444790	SOCKET BUTTON HEAD SCREW (4 pcs)
3a	940188A0	AIR REGULATOR SET for CART FRAME version
3b	940189A0	AIR REGULATOR SET for WALL MOUNT version
4	ME100001	GROUND WIRE SET
5	940157A0	AIR HOSE 0,3 m (for Cart Frame Version)
6	940085A0	CART FRAME SET
7	960055A0	HEX. SOCKET BUTTON HEAD SCREW M8x20 SET (4 pcs)
8	0101010000	SUCTION HOSE SET
9	04005510	HOPPER SET 6 lt.
10	960056A0	HEX. SOCKET BOLT M6x10 SET (2 pcs)
11	940052A0	FILTER STAY
12	140002A0	DELIVERY PAINT FILTER SET TF-1S
13	94006030	ADAPTER G1/4\"/>

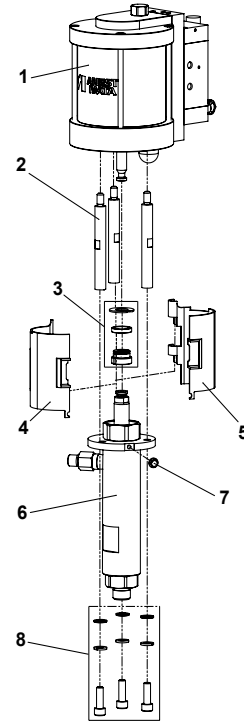
12. EXPLODED VIEWS AND SPARE PARTS LIST Airless version



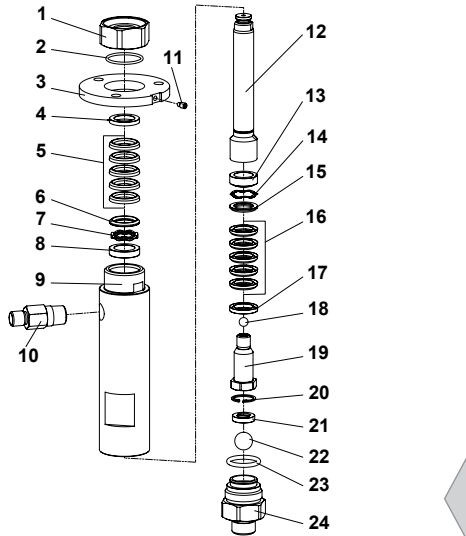
Ref.	Code	Description
1	-	PLUNGER PUMP (PP-3025N)
2	94444790	SOCKET BUTTON HEAD SCREW (4 pcs)
3a	940190A0	AIR REGULATOR SET for CART FRAME version
3b	940191A0	AIR REGULATOR SET for WALL MOUNT version
4	ME100001	GROUND WIRE SET
5	940157A0	AIR HOSE 0,3 m (for Cart Frame Version)
6	940085A0	CART FRAME SET
7	960055A0	HEX. SOCKET BUTTON HEAD SCREW M8x20 SET (4 pcs)
8	0101010000	SUCTION HOSE SET
9	04005510	HOPPER SET 6 lt.
10	960056A0	HEX. SOCKET BOLT M6x10 SET (2 pcs)
11	940052A0	FILTER STAY
12	140002A0	DELIVERY PAINT FILTER SET TF-1S
13	94006030	ADAPTER G1/4\"/>

12.1 PLUNGER PUMP SET

Ref.	Code	Description
1	940000A0	AIR MOTOR
2	940036A0	CONNECTING ROD
3	940193A0	COUPLING KIT
4	940093A0	ROD COVER LEFT
5	940094A0	ROD COVER RIGHT
6	940014A0	FLUID PUMP SET
7	960047A0	HEX. SOCKET FLANGE BOLT M5x12
8	940170A0	SCREWS & WASHERS SET (3+3+3 pcs.)



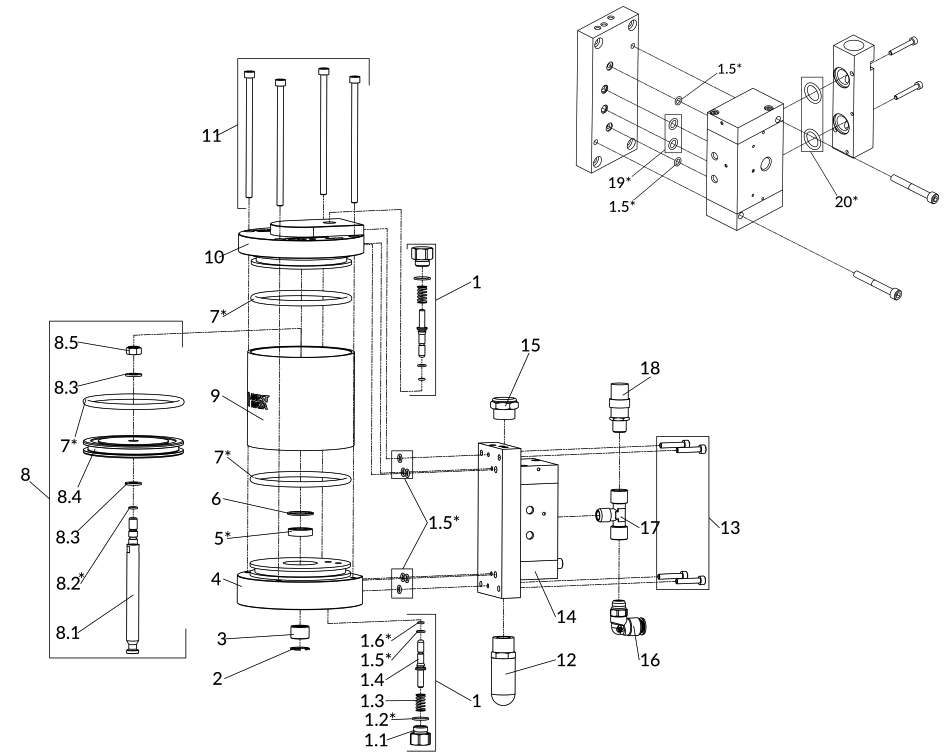
12.2 FLUID PUMP SET



Ref.	Code	Description
1	940031A0	PACKING HOLDER
2	960011A0	O-RING 2.0-29.5
3	940112A0	FLANGE
4	940126A0	V-PACKING FEMALE ADAPTOR (UPPER)
5	940069A0	V-PACKING SET (UPPER) (3 PE + 2 PTFE)
6	940123A0	V-PACKING MALE ADAPTOR (UPPER)
7	940122A0	MULTI WAVE SPRING
8	940121A0	SPRING HOLDER (UPPER)

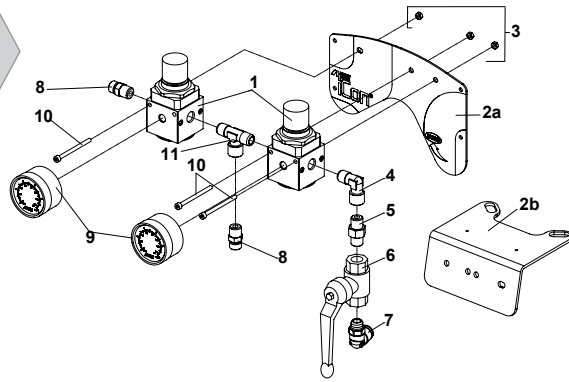
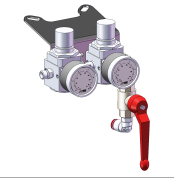
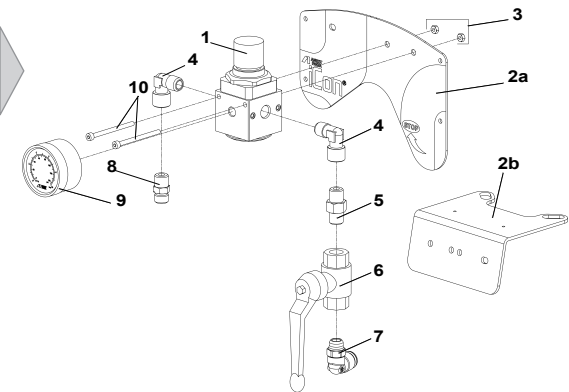
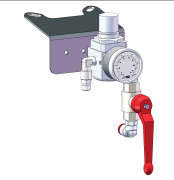
Ref.	Code	Description
9	940015A0	SUCTION TUBE
10	940032A0	FLUID OUTPUT JOINT
11	960040A0	PLUG
12	940166A0	SUCTION ROD
13	940127A0	SPRING HOLDER (LOWER)
14	940128A0	NESTED SPRING
15	940129A0	V-PACKING MALE ADAPTOR (LOWER)
16	940070A0	V-PACKING SET (LOWER) (3 PE + 2 PTFE)
17	940132A0	V-PACKING FEMALE ADAPTOR (LOWER)
18	06662025	BALL 5/16"
19	940021A0	VALVE HOLDER
20	960014A0	SEEGER 20
21	04944770	VALVE HOLDER PACKING
22	06662050	BALL 5/8"
23	960015A0	O-RING 3.53-23.39
24	940033A0	VALVE ADAPTOR

12.3 AIR MOTOR SET



Ref.	Code	Description	Ref.	Code	Description
1	940073A0	PILOT VALVE SET	8.3	06363080	WASHER
1.1	940007A0	PILOT VALVE CAP	8.4	940004A0	AIR PISTON
1.2*	96997009	O-RING \varnothing 1.5-13.5	8.5	960003A0	SELF LOCKING HEX. NUT
1.3	940006A0	PILOT VALVE SPRING	9	940008A0	CYLINDER
1.4	940005A0	PILOT VALVE SHAFT	10	940010A0	HEAD MODULE
1.5*	96997003	O-RING \varnothing 1.5-5.5	11	960006A0	HEX. SOCKET BOLT M6x120 (4 pcs.)
1.6*	96997012	O-RING \varnothing 1.5-3.5	12	960010A0	MUFFLER
2	960000A0	SEEGER 18	13	96350525	HEX. SOCKET BOLT M5x25 (4 pcs.)
3	940002A0	METAL	14	940174A0	AIR OPERATING VALVE
4	940001A0	BOTTOM MODULE	15	04447820	EXHAUST FILTER
5*	960001A0	U-PACKING	16	UL300309	ELBOW UNION
6	960002A0	SEEGER 24	17	UL30030000	T-JOINT
7*	960004A0	O-RING \varnothing 5.33-89.69	18	UL30036000	SAFETY VALVE
8	940065A0	PISTON ROD SET	19*	060031A0	O-RING \varnothing 1.78 - 7.65
8.1	940159A0	PISTON ROD	20*	060008A0	O-RING \varnothing 2.62 - 15.54
8.2*	960052A0	O-RING \varnothing 1.5-6	(*)	940072A0	O-RING SET FOR AIR MOTOR & AIR OPERATING VALVE

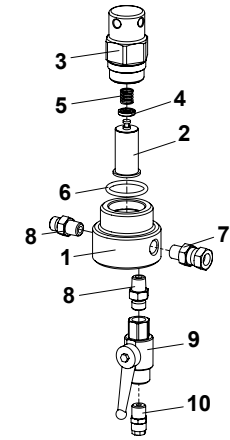
12.4 AIR REGULATOR SET

AIR REGULATOR SET
for Multi Spray UnitsCART FRAME
VersionWALL MOUNT
VersionAIR REGULATOR SET
for Airless UnitsCART FRAME
VersionWALL MOUNT
Version

Ref.	Code	Description	Q.ty	
			M233N	A233N
1	UI00070001	AIR REGULATOR	2	1
2a	940156A0	PANEL (for Cart Frame Version)	1	1
2b	UL00005201	PLATE FOR AIR REGULATOR (for Wall Mount Version)	1	1
3	UL300700	HEX. NUT M4	3	2
4	UL300201	L-JOINT	1	2
5	UL300101	NIPPLE	1	1
6	UL30034901	BALL VALVE WITH EXHAUST HOLE	1	1
7	UL300309	ELBOW UNION	1	1
8	UL30010501	SPECIAL NIPPLE R1/4" - G1/4"	2	1
9	02004003	PRESSURE GAUGE (bar - psi)	2	1
10	06350455	BOLT WITH HEX. HOLE M4x55	3	2
11	UL300303	T-JOINT	1	0

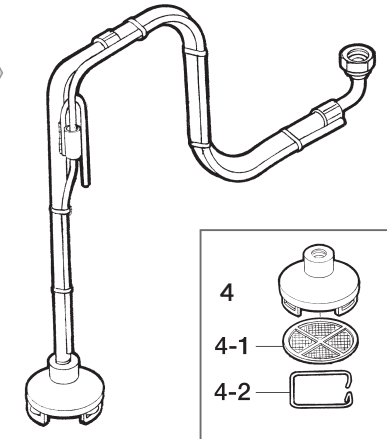
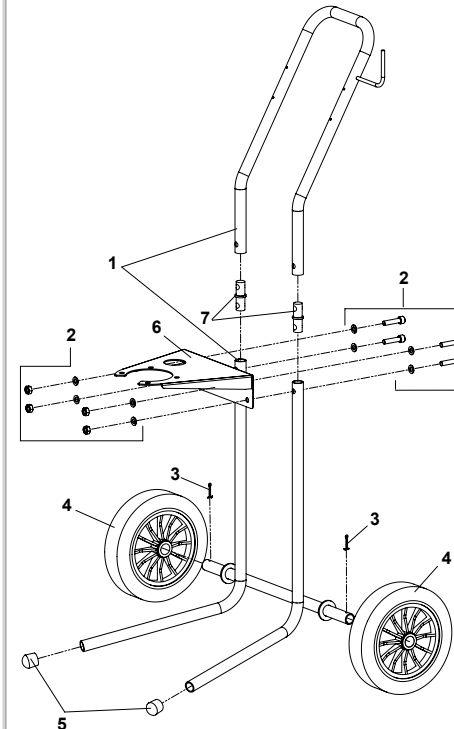
12.5 DELIVERY PAINT FILTER TF-1S

Ref.	Code	Description
1	940053A0	FILTER BODY
2	VFM2704	FILTER 100 MESH
3	940054A0	CYLINDER
4	940055A0	SPRING HOLDER
5	940056A0	FILTER SPRING
6	960021A0	O-RING 3.53-32.92
7	96859022	SWIVEL JOINT R1/4"M - G1/4"F
8	UL300462	JOINT G1/4" - R1/4"
9	UL30090100	DRAIN VALVE
10	UL300302	HOSE JOINT



12.6 SUCTION HOSE SET

Ref.	Code	Description
4	UL10000701	COMPLETE COVER SET
4-1	0040720100	FILTER 50 MESH
4-2	00407203	FILTER STOPPER



12.7 CART FRAME SET

Ref.	Code	Description
1	940113A0	CART FRAME STRUCTURE
2	940169A0	SCREWS, NUTS & WASHER SET (4+4+8 pcs.)
3	UL300811	SPLIT PIN
4	UL200001	WHEEL
5	960019A0	RUBBER CAP
6	940192A0	WALL MOUNT SUPPORT
7	940089A0	CONNECTION ELEMENT

13. TROUBLE SHOOTING



INCONVENIENCE	CAUSE	CHECK	SOLUTION
1 The air pressure does not increase	a The ball valve is not in the proper position.	a Make sure the ball valve is in the proper position.	a Adjust the ball valve in the proper position.
	b The air regulator is not open.	b Check the proper functioning of the air regulator.	b If it is closed, open it. If it is damaged, replace it.
	c Insufficient air pressure.	c Check the proper functioning of the manometer of pressure gauge.	c If the compressor does not supply enough air pressure, replace it with one of greater capacity.
2 The paint does not flow out of the gun	a Clogged paint filter or paint circuit.	a Opening the drain valve, the paint does not flow out.	a The paint circuit is obstructed from the pump inlet to the fluid pipe fitting. Check for the obstructed point and remove the clogging materials from circuit.
		a1 Opening the drain valve, the paint flows out regularly, but not when pulling the gun trigger.	a1 The paint course, from fluid hose fitting to the gun nozzle, is blocked. Check for the obstructed point and remove the clogging; this inconvenience is usually caused by the obstruction of the gun filter. *Refer to the instruction manual of spray gun.
	b Clogged nozzle.	b Remove the nozzle and pull the trigger of the gun. If the paint flows out it means that the nozzle is clogged.	b Refer to the instruction manual of spray gun, about troubleshooting reference.
	c Jammed safety stop.		c Unlock the safety valve.
3 The pump does not work	a The air does not supply the pump.	a Check the air supply hose.	a Replace it if spoilt or clogged.
	b The pump has a technical problem.	b Separate the air motor from the pumping group and test it using a different air supply hose.	b If the motor is running properly, follow the instructions provided in the solution column, point 2 (a-b).
			c If the motor is not running properly, disassemble the cylinder and inspect it. In case of special anomalies, ship it to our Customer Care Technical Service.
4 The pump does not stop.	a Some air got inside the paint ducts.	a Make sure the dip tube is properly connected.	a Tighten suction hose fitting.

13. TROUBLE SHOOTING


INCONVENIENCE	CAUSE	CHECK	SOLUTION
4 The pump does not stop	b Some air remains inside the paint ducts.	b Make sure the paint is in good condition and that the suction hose set is fully immersed in the product to be pumped.	b If the paint is in standard condition increase its level at least until it fully covers the suction hose set. Then, carry out the start-up operations relative to the release of air from the paint ducts.
	c Seats and balls (inside the fluid pump) are dirty or damaged.	c Disassemble the fluid pump and check the seat and ball conditions.	c Clean them if they are enclosed with solidified paint residues. Otherwise, if they are irreparably worn out, replace them.
	d The V-packings (inside the fluid pump) are dirty or damaged.	d Disassemble the fluid pump and check the V-packings conditions.	d Clean them if they are enclosed with solidified paint residues. Otherwise, if they are irreparably worn out, replace them.
	e Leakage from the paint ducts.	e Inspect all the paint ducts.	e If any leakage is found, see to its fixing.
	f The drain valve is not closed.		f Close the drain valve.
	5 The spray-fan size keeps changing	a The V-packings (inside the fluid pump) are dirty or damaged.	a Disassemble the fluid pump and check the V-packings conditions.
b Seat and ball (inside the fluid pump) are dirty or damaged.		b Disassemble the fluid pump and check the seat and ball conditions.	b Clean them if they are enclosed with solidified paint residues. Otherwise, if they are irreparably worn out, replace them.
c Spray gun nozzle, worn out.			c Replace it.
d Paint filter of paint circuit clogged.			d Refer to (2 - a).
6 The indicator of pressure gauge indicates the presence of pressure even though the air regulator is closed.	a Damaged air regulator.		a Replace it.

Gentile Cliente,
Vi ringraziamo per la preferenza che ci avete dato e siamo lieti di annoverarvi tra i nostri clienti.
Ci auguriamo che l'utilizzo di questa apparecchiatura sia in grado di soddisfare voi e il vostro personale.

1. INFORMAZIONI IMPORTANTI

IMPORTANTE	Questo manuale è parte integrante dell'impianto, e deve essere letto attentamente prima di procedere con qualsiasi operazione che comprende la messa in funzione, la regolazione, la manutenzione, compresa la sua manipolazione. Il presente manuale deve essere conservato in un luogo sicuro per ogni eventuale futuro riferimento. Assicurarsi di osservare sempre le avvertenze e le precauzioni contenute nel suddetto manuale di istruzioni. In caso contrario, si potrebbe verificare l'espulsione della vernice ad alta pressione con conseguenti danni fisici causati dai solventi organici.
	
CE  II 2 G T6 X	Le unità ICon ANEST IWATA Airless e Multi Spray sono in conformità con le norme ATEX 2014/34/EU; <ul style="list-style-type: none"> • Livello di protezione: II 2G T6 • Gruppo dell'apparecchiatura: II • Categoria: Gas 2G (Adatte per uso in zone 1 e 2) • Area: Gas 1 • Temperatura superficiale massima: classe di temperatura T6.



OSSERVARE SEMPRE LE AVVERTENZE E LE PRECAUZIONI CONTENUTE IN QUESTO MANUALE DI ISTRUZIONI

	AVVERTENZE	LIVELLO DI PERICOLO	CONSEGUENZE
	AVVERTENZE ATTENZIONE	SITUAZIONE POTENZIALMENTE PERICOLOSA	SERI RISCHI PER LA SALUTE E LA VITA RISCHI MODERATI

2. AVVERTENZE DI SICUREZZA

	AVVERTENZE	RISCHI DI INCENDI ED ESPLOSIONI
		LA PRESENZA DI FIAMME LIBERE E LA PRODUZIONE DI SCINTILLE È SEVERAMENTE VIETATA. Le vernici possono essere altamente infiammabili ed essere causa di gravi incendi. Evitare ogni azione che potrebbe provocare incendi, come fumare, creare scintille o utilizzare attrezzature elettriche non idonee.
		COLLEGARE CORRETTAMENTE A TERRA L'UNITÁ, ATTRAVERSO IL CAVO DI TERRA INCLUSO: 1.6m - capocorda cavo ø 6.5. Resistenza elettrica: >1MΩ. Controllare questo valore periodicamente. Assicuratevi che la pompa, la pistola, l'oggetto da verniciare e i contenitori delle vernici o dei solventi siano correttamente collegati a terra. Un'inadeguata o insufficiente messa a terra potrebbe essere causa di incendi o esplosioni provocati da scintille prodotte dall'elettricità statica.
		MAI UTILIZZARE SOLVENTI IDROCARBURI ALOGENATI, che potrebbero causare danni e scioglimento delle parti in alluminio, provocati da reazioni chimiche. I SOLVENTI INCOMPATIBILI SONO I SEGUENTI: Cloruro di Metile, Diclorometano, 1,2-Dicloroetano, Tetracloruro di Carbonio, Tricloroetilene, 1,1,1-Tricloroetano. ASSICURATEVI CHE TUTTI I MATERIALI ED I SOLVENTI SIANO COMPATIBILI CON TUTTE LE PARTI DELL'IMPIANTO. L'azienda potrà fornirvi un elenco dei materiali utilizzati nel prodotto.
AVVERTENZE		RISCHI DI USO IMPROPRIO
		MAI PUNTARE LA PISTOLA IN DIREZIONE DEL CORPO UMANO O DI ANIMALI. MAI PREMERE IL GRILLETTO DELLA PISTOLA QUANDO LE PARTI DEL CORPO O LE DITA SI TROVANO IN PROSSIMITÁ DELL'UGELLO. Altrimenti, si potrebbero verificare rischi di lesioni fisiche per gli occhi e per la pelle o lesioni al corpo. Se dovesse presentarsi un qualsiasi disturbo fisico durante le fasi di lavoro, consultare immediatamente un medico. NON SUPERARE MAI LA MASSIMA PRESSIONE O LA MASSIMA TEMPERATURA DI ESERCIZIO. L'utilizzo ad una pressione superiore al limite massimo potrebbe causare l'esplosione della pompa con conseguente grave pericolo. ASSICURARSI DI SCARICARE SEMPRE LA PRESSIONE DELL'ARIA E DEL MATERIALE PRIMA DELLE OPERAZIONI DI PULIZIA, SMONTAGGIO O MANUTENZIONE. Altrimenti la pressione residua potrebbe provocare lesioni al corpo, causate da operazioni scorrette o da dispersione dei liquidi usati per la pulizia. Per scaricare la pressione, chiudere prima l'alimentazione dell'aria della pompa.

	AVVERTENZE	RISCHI PER LA SALUTE E LA PROTEZIONE DEL CORPO
		UTILIZZARE SEMPRE L'IMPIANTO NELLA CABINA DI VERNICIATURA CON UNA CORRETTA VENTILAZIONE. Una ventilazione inadeguata potrebbe provocare un'intossicazione da solventi organici o causare incendi. Se dovesse presentarsi un qualsiasi disturbo fisico durante le fasi di lavoro, consultare immediatamente un medico.
   		INDOSSARE SEMPRE INDUMENTI PROTETTIVI (occhiali di protezione, maschera, guanti). Altrimenti i prodotti per la pulizia potrebbero provocare infiammazione agli occhi ed alla pelle. Nel caso in cui si verificasse anche il più lieve rischio di danno fisico per gli occhi o la pelle, consultare immediatamente un medico. Il livello di rumorosità della pistola ANEST IWATA, non supera il valore di pressione acustica ponderata (A) di 85 dB (A), relativa al rischio di esposizione giornaliera al rumore. L'utilizzo di protezioni individuali per l'udito è comunque sempre consigliato, in quanto le condizioni d'utilizzo e l'influenza di altri rumori presenti nell'area di lavoro, potrebbero incrementare il valore medio consentito.
		ASSICURARSI DI ARRESTARE LA POMPA, RIDURRE LA PRESSIONE DELL'ARIA E DEL FLUIDO A "0 bar" ED AZIONARE IL BLOCCO DI SICUREZZA DELLA PISTOLA PRIMA DEL MONTAGGIO O DELLO SMONTAGGIO DELL'UGELLO.
		Per fermate d'emergenza, quando la distanza tra la pistola e l'impianto pompante è piuttosto ampia; si consiglia d'installare una valvola a sfera per la chiusura della vernice in mandata, all'entrata della pistola.
 		NON CERCARE MAI DI FERMARE LE PERDITE DI VERNICE CON LE MANI. In caso di trafilemanti, arrestare immediatamente la pompa e ridurre la pressione della stessa a "0 bar". La vernice ad alta pressione, potrebbe causare gravi ferite al corpo. Se dovesse verificarsi un qualsiasi disturbo fisico durante le fasi di lavoro, consultare immediatamente un medico.
		L'utilizzo costante della pistola di verniciatura che prevede una prolungata pressione manuale sul grilletto della pistola, potrebbe provocare la sindrome del tunnel carpale. NEL CASO DI AFFATICAMENTO DELLA MANO, SOSPENDERE LE OPERAZIONI DI VERNICIATURA PER UNA BREVE PAUSA.

AVVERTENZE	ALTRE PRECAUZIONI
	MAI MODIFICARE L'IMPIANTO. Altrimenti potrebbero verificarsi, malfunzionamenti o in casi estremi, esplosioni.
	NON ENTRARE MAI NELLE AREE DI LAVORO DELLE ATTREZZATURE IN FUNZIONE (ROBOT, RECIPROCATORI, ETC.) FINCHÉ QUESTE NON SIANO STATE DISATTIVATE. Il contatto con questi macchinari in movimento potrebbe essere causa di gravi lesioni.
	MAI UTILIZZARE L'IMPIANTO PER SPRUZZARE PRODOTTI ALIMENTARI O CHIMICI. Altrimenti le sostanze corrosive contenute nei prodotti stessi, potrebbero provocare la corrosione dei passaggi del materiale, risultando in gravi rischi per la salute e danni all'impianto.
	NEL CASO DI MALFUNZIONAMENTI, SOSPENDERE IMMEDIATAMENTE LE OPERAZIONI DI VERNICIATURA PER LA RICERCA DEL GUASTO. Non utilizzare nuovamente l'attrezzatura, finché il problema non verrà risolto.
	MAI UTILIZZARE ALTRI COMPONENTI O PARTI DI RICAMBIO CHE NON SIANO ORIGINALI ANEST IWATA.
AVVERTENZE	RISCHIO DI SCOPPIO DELLA TUBAZIONE VERNICE
	NON USARE TUBAZIONI DEL FLUIDO CREPATE, DANNEGGIATE, PIEGATE O SCHIACCIATE. La vernice ad alta pressione emessa attraverso un piccolo foro, potrebbe forare una lastra di ferro, e provocare seri danni. NON PIEGARE LE TUBAZIONI DEL MATERIALE CON UN RAGGIO INFERIORE A QUELLO CONSENTITO. Contattare il rivenditore o direttamente la nostra azienda per conoscere il raggio di curvatura più idoneo. Non appoggiare oggetti pesanti sulle tubazioni per evitare di danneggiarle. Altrimenti, le stesse potrebbero esplodere provocando seri danni.

3. MANUALI di RIFERIMENTO

Codice manuale	Modello	Descrizione
040057A0	ICON-M233N/ ICON-A233N	Pompa ICON
W5MSG5	MSG5-200 EVO	Pistola Multi Spray
MJ T080-00	ALG-7 TE WB	Pistola Airless

CONFIGURAZIONE UNITÁ iCon "MULTI SPRAY"

ICON M233N-S

Gruppo pompa montato su CARRELLO con TUBAZIONE PESCANTE

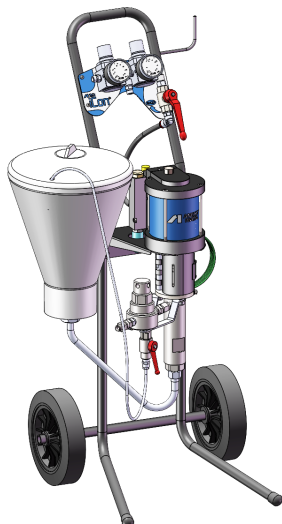
2 regolatori di pressione aria (1 per pompa e 1 per pistola)
 Unitá filtro vernice in mandata TF-1S (100 mesh)
 Tubazione pescante con filtro (50 mesh)
 Tubo di ricircolo della vernice
 Dimensioni (LxWxH): 495 x 450 x 965 mm - Peso 16 Kg



ICON M233N-H

Gruppo pompa montato su CARRELLO con TRAMOGGIA

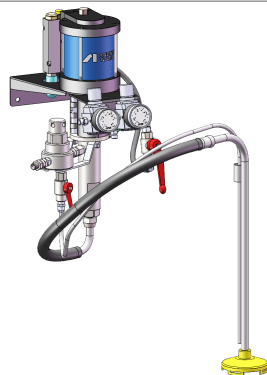
2 regolatori di pressione aria (1 per pompa e 1 per pistola)
 Unitá filtro vernice in mandata TF-1S (100 mesh)
 Tramoggia (6 lt.) con filtro (50 mesh)
 Tubo di ricircolo della vernice
 Dimensioni (LxWxH): 495 x 550 x 965 mm - Peso 16 Kg



ICON M233N-SWM

Gruppo pompa montato su STAFFA a MURO con TUBAZIONE PESCANTE

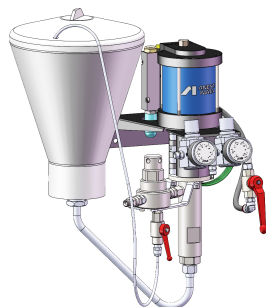
2 regolatori di pressione aria (1 per pompa e 1 per pistola)
 Unitá filtro vernice in mandata TF-1S (100 mesh)
 Tubazione pescante con filtro (50 mesh)
 Tubo di ricircolo della vernice
 Dimensioni (LxWxH): 380 x 320 x 515 mm - Peso 11Kg



ICON M233N-HWM

Gruppo pompa montato su STAFFA a MURO con TRAMOGGIA

2 regolatori di pressione aria (1 per pompa e 1 per pistola)
 Unitá filtro vernice in mandata TF-1S (100 mesh)
 Tramoggia (6 lt.) con filtro (50 mesh)
 Tubo di ricircolo della vernice
 Dimensioni (LxWxH): 380 x 420 x 515 mm - Peso 11Kg



CONFIGURAZIONE UNITÁ iCon "AIRLESS"

ICON A233N-S

Gruppo pompa montato su CARRELLO con TUBAZIONE PESCANTE

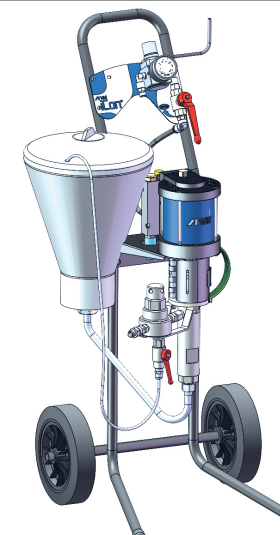
Regolatore di pressione aria
 Unitá filtro vernice in mandata TF-1S (100 mesh)
 Tubazione pescante con filtro (50 mesh)
 Tubo di ricircolo della vernice
 Dimensioni (LxWxH): 495 x 450 x 965 mm - Peso 16 Kg



ICON A233N-H

Gruppo pompa montato su CARRELLO con TRAMOGGIA

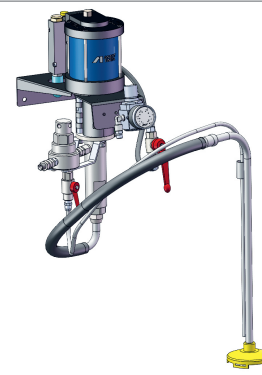
Regolatore di pressione aria
 Unitá filtro vernice in mandata TF-1S (100 mesh)
 Tramoggia (6 lt.) con filtro (50 mesh)
 Tubo di ricircolo della vernice
 Dimensioni (LxWxH): 495 x 550 x 965 mm - Peso 16 Kg



ICON A233N-SWM

Gruppo pompa montato su STAFFA a MURO con TUBAZIONE PESCANTE

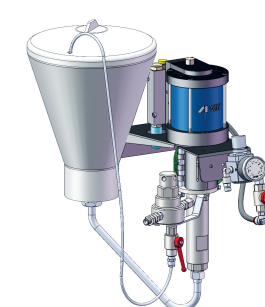
Regolatore di pressione aria
 Unitá filtro vernice in mandata TF-1S (100 mesh)
 Tubazione pescante con filtro (50 mesh)
 Tubo di ricircolo della vernice
 Dimensioni (LxWxH): 380 x 320 x 515 mm - Peso 11Kg



ICON A233N-HWM

Gruppo pompa montato su STAFFA a MURO con TRAMOGGIA

Regolatore di pressione aria
 Unitá filtro vernice in mandata TF-1S (100 mesh)
 Tramoggia (6 lt.) con filtro (50 mesh)
 Tubo di ricircolo della vernice
 Dimensioni (LxWxH): 380 x 420 x 515 mm - Peso 11Kg

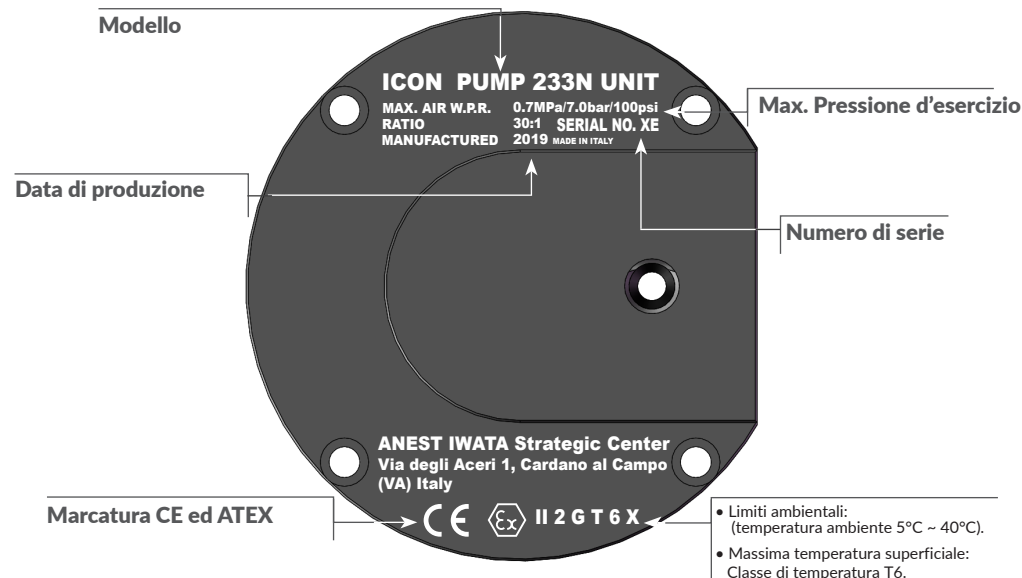


4. DATI TECNICI

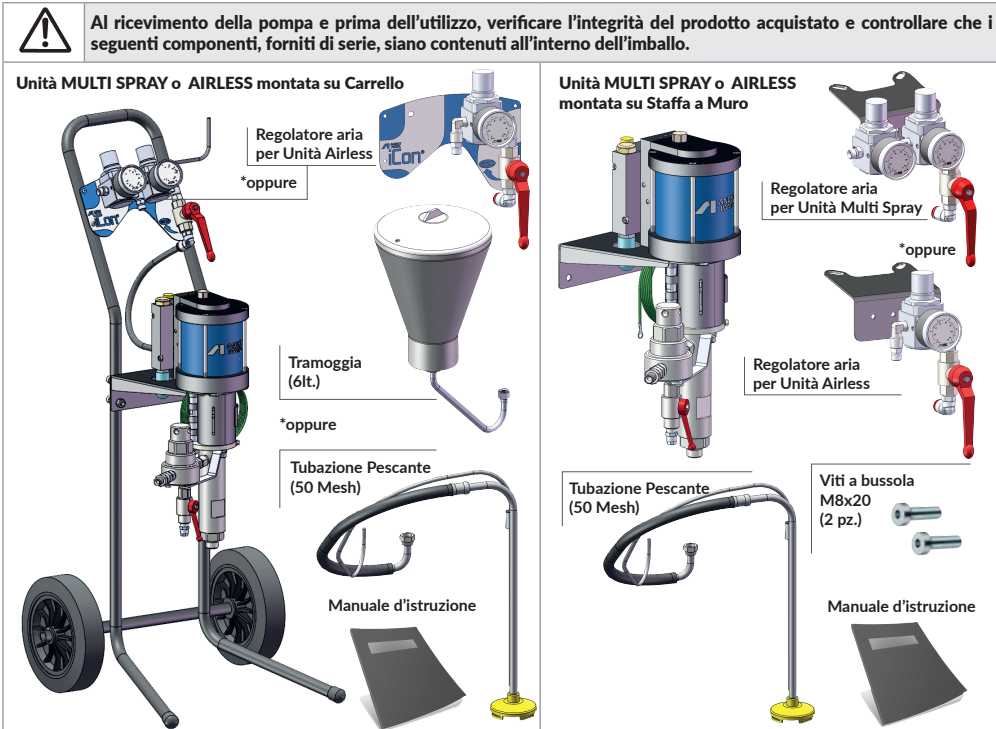
VERSIONI	ICON-M233N	ICON-A233N
Unitá pompante:	PP-3025N	
Diametro cilindro motore:	100 mm	
Filtro vernice:	Filtro vernice in mandata	TF-1S (100 Mesh)
	Filtro vernice in aspirazione	50 Mesh
Max. pressione d'esercizio materiale:	210 bar (21 MPa)	
Max. pressione d'ingresso aria:	7.0 bar (0.7 MPa)	
Rapporto di pressione:	30:1	
Temperatura d'utilizzo:	5°~40° C	
Livello di rumorosità:	84.7 dB(A)	
Consumo aria:	110 NI/min. a 30 cyc/min.	
Portata materiale:	Max. volume per ciclo	25 ml
	Max. volume/minuti	2.5 l/min.
Max. Numero di cicli al minuto	100 cyc	
Materiale dei passaggi vernice	Set filtro vernice	Corpo: AISI303 - Filtro: AISI304/Poliamide
	Set tubazione pescante	Tubazione flessibile: Gomma Tubazione rigida, Filtro e raccordi: AISI304
	Gambo pompa	Principalmente: AISI303 - PE - PTFE

5. IDENTIFICAZIONE DEL PRODOTTO

DATI DELLA TARGA: Su tutte le unitá Multi Spray ed Airless sono serigrafati i dati identificativi del produttore (vedi figura). Queste informazioni non devono assolutamente essere rimosse, anche nel caso in cui l'attrezzatura venga rivenduta. Per qualsiasi comunicazione con il produttore, indicare sempre il numero di serie impresso sulla pompa stessa.



6. CONTENUTO DELL'IMBALLO



6.1 TRASPORTO E MOVIMENTAZIONE

Per il trasporto dell'apparecchiatura, non é possibile impiegare altri sistemi ad eccezione di quelli di seguito indicati. E' indispensabile in ogni caso assicurarsi che il mezzo di trasporto e di sollevamento utilizzato sia in grado di reggere il peso dell'impianto completo di imballo.

AVVERTENZE	MANTENERE SEMPRE L'IMBALLO IN POSIZIONE VERTICALE.
	E' BENE CHE IL PERSONALE ADDETTO ALLA MANIPOLAZIONE DEL CARICO OPERI CON GUANTI PROTETTIVI E SCARPE ANTINFORTUNISTICHE.
	NEL SOLLEVARE O MOVIMENTARE L'APPARECCHIATURA O UNA QUALSIASI SUA PARTE PROVVEDERE A SGOMBERARE LA ZONA DELLE OPERAZIONI, CONSIDERANDO ANCHE UNA SUFFICIENTE AREA DI SICUREZZA INTORNO AD ESSA ONDE EVITARE DANNI A PERSONE O AD OGGETTI CHE POSSANO TROVARSI NEL RAGGIO DI MANOVRA.

6.2 MOVIMENTAZIONE E STOCCAGGIO

L'APPARECCHIATURA VIENE INSERITA IN UN IMBALLO IN CARTONE, AVVOLTA CON MATERIALE ANTIURTO.	
AVVERTENZE	PER LA MOVIMENTAZIONE DELL'IMBALLO UTILIZZARE ESCLUSIVAMENTE UN CARRELLINO.
	SEGUIRE QUANTO INDICATO SULL'IMBALLO PRIMA DI PROCEDERE ALLA SUA MOVIMENTAZIONE ED APERTURA.
	IN FASE DI TRASPORTO E STOCCAGGIO, ASSICURARSI CHE NON SIANO SUPERATE LE TEMPERATURE COMPRESSE TRA 0 e 40° C. QUALORA L'APPARECCHIATURA DEBBA ESSERE IMMAGAZZINATA, ASSICURARSI CHE NON SIA RIPOSTA IN LUOGHI CON ECCESSIVA UMIDITÀ.

7. INSTALLAZIONE

⚠ AVVERTENZE	PRECAUZIONI DI SICUREZZA
	PER ASSICURARE IL CORRETTO FUNZIONAMENTO DELL'IMPIANTO E DEI SUOI DISPOSITIVI DI SICUREZZA, LA POMPA DEVE ESSERE INSTALLATA DA PERSONALE QUALIFICATO.
	LA CONFIGURAZIONE ORIGINALE DELLA POMPA NON DEVE ASSOLUTAMENTE ESSERE MODIFICATA.
	COLLEGARE CORRETTAMENTE A TERRA LA POMPA E LA PISTOLA, ATTRAVERSO UNA TUBAZIONE DEL MATERIALE CONDUTTIVA E IL CAVO DI TERRA FORNITO CON L'IMPIANTO.
	VERIFICARE IL CORRETTO SERRAGGIO DI TUTTI I RACCORDI, IN QUANTO LA LORO IMPROVVISA APERTURA POTREBBE ESSERE CAUSA DI GRAVI FERIMENTI DEL PERSONALE ADDETTO ALLA VERNICIATURA.
	LEGGERE ATTENTAMENTE E OSSERVARE LE AVVERTENZE DI SICUREZZA DEL MANUALE D'ISTRUZIONE DELLE PISTOLE DA UTILIZZARE. iCON-M233N: MSGS-200 EVO / iCON-A233N: ALG7 TE
	PRIMA DI ESEGUIRE L'INSTALLAZIONE DELLA POMPA SETTARE, IL REGOLATORE DELL'ARIA E DEL MATERIALE A 0 bar.
	LE PARTI IN MOVIMENTO DELLA POMPA POTREBBERO AMPUTARE LE DITA O FERIRE SERIAMENTE IL CORPO UMANO. DURANTE IL FUNZIONAMENTO DELLA POMPA È ASSOLUTAMENTE VIETATO, APRIRE LE PROTEZIONI DI SICUREZZA O INTRODURVI LE DITA ALL'INTERNO.

7.1 INSTALLAZIONE POMPA iCON-M233N

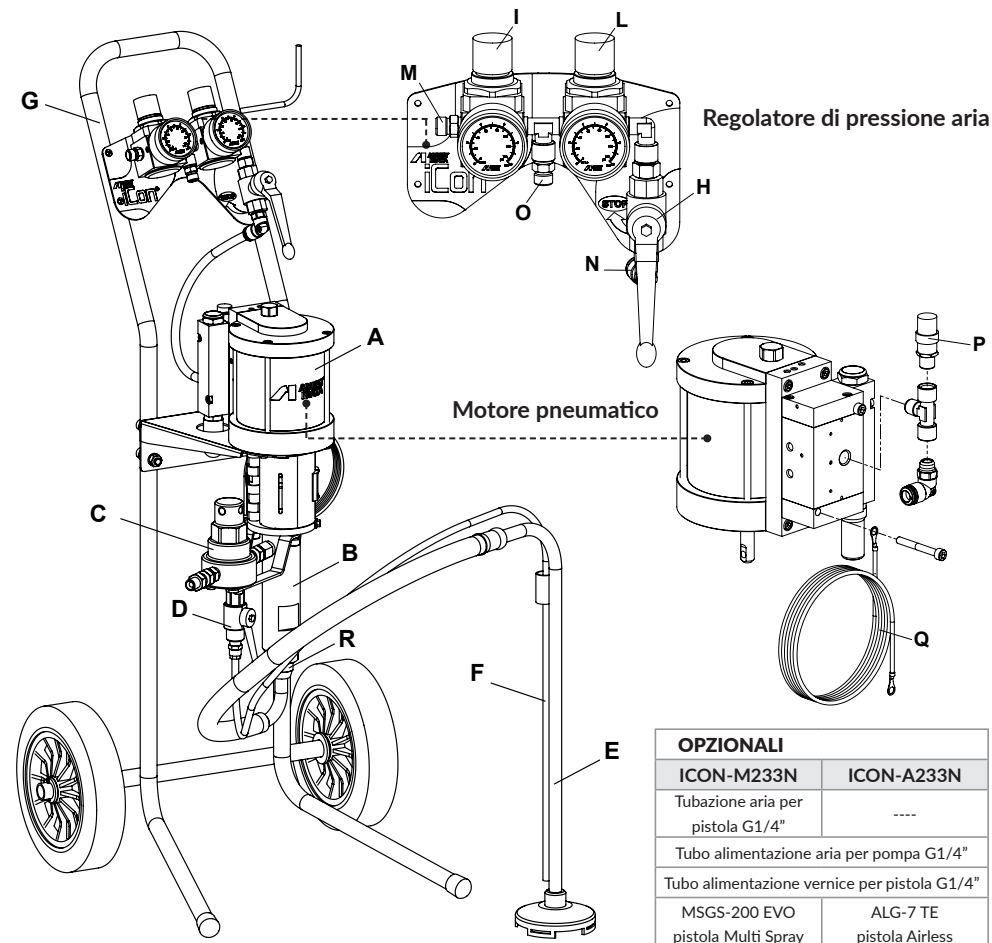
IMPORTANTE: far riferimento alla pagina successiva per l'elenco delle parti della configurazione dell'impianto.

1. Posizionare l'impianto, su una superficie piana orizzontale.
2. Collegare saldamente il tubo di aspirazione vernice (E) o la tramoggia al raccordo di entrata vernice della pompa (R) ed il tubo di ricircolo (F) alla valvola di scarico (D).
3. Collegare la tubazione binata della vernice e dell'aria, al raccordo di alimentazione della vernice posto sul filtro vernice in mandata (C) e al raccordo di alimentazione aria del regolatore aria (M).
4. Collegare a terra correttamente, l'estremità libera del cavo di terra (Q).
5. Collegare l'altra estremità della tubazione binata aria/vernice ai raccordi d'ingresso della pistola Multi Spray.
6. Collegare il tubo di alimentazione dell'aria (O) al raccordo d'alimentazione aria dell'impianto.

7.2 INSTALLAZIONE POMPA iCON-A233N

1. Posizionare l'impianto, su una superficie piana orizzontale.
2. Collegare saldamente il tubo di aspirazione vernice (E) o la tramoggia al raccordo di entrata vernice della pompa (R) ed il tubo di ricircolo (F) alla valvola di scarico (D).
3. Collegare la tubazione della vernice, al raccordo di alimentazione vernice posto sul filtro vernice in mandata (C)
4. Collegare a terra correttamente, l'estremità libera del cavo di terra (Q).
5. Collegare la tubazione della vernice al raccordo d'ingresso della pistola Airless.
6. Collegare il tubo di alimentazione dell'aria (O) al raccordo d'alimentazione aria dell'impianto.

7.3 CONFIGURAZIONE dell'IMPIANTO



OPZIONALI	
iCON-M233N	iCON-A233N
Tubazione aria per pistola G1/4"	----
Tubo alimentazione aria per pompa G1/4"	
Tubo alimentazione vernice per pistola G1/4"	
MSGS-200 EVO	ALG-7 TE
pistola Multi Spray	pistola Airless

CONFIGURAZIONE PRINCIPALE

A	UNITÁ POMPANTE		I
Motore pneumatico			Regolatore di pressione aria (per pistola)
Gambo pompa			L Regolatore di pressione aria (per pompa)
C Filtro vernice in mandata TF-1S (100 mesh)			M Raccordo d'alimentazione aria alla pistola
D Valvola di scarico			N Raccordo d'alimentazione aria alla pompa
E Tubazione pescante	50 Mesh	G1/2"	O Ingresso aria
F Tubo di ricircolo 1.7 m - ø 6 x 8			P Valvola di sicurezza
G Carrello			Q Cavo di terra 1.6 m
H Valvola d'arresto di sicurezza			R Raccordo d'ingresso vernice

8. SISTEMI SICUREZZA

Diversi sistemi di sicurezza sono stati concepiti durante la progettazione e la produzione dell'unità Multi Spray ed Airless per salvaguardare l'operatore, in conformità alla Direttiva EN 12621:2010 sulla vernice.

8.1 VALVOLA DI SICUREZZA


	<p>PER GARANTIRE CHE LA PRESSIONE D'ESERCIZIO DELL'IMPIANTO NON ECCEDA IN MODO PERICOLOSO NEL CIRCUITO D'ALIMENTAZIONE, È STATA INSTALLATA UNA VALVOLA DI SICUREZZA TARATA A 8 BAR.</p>
	<p>ATTENZIONE! NON RIMUOVERE LA PROTEZIONE IN PLASTICA DELLA VALVOLA. QUALSIASI MANOMISSIONE POTREBBE CAUSARE PERICOLO PER L'OPERATORE E COMPROMETTERE L'INTEGRITÀ ED IL BUON FUNZIONAMENTO DELL'IMPIANTO.</p>

8.2 VALVOLA PER L'ARRESTO D'EMERGENZA


	<p>AVVERTENZE</p>
	<p>NEL CASO DI ANOMALIE DURANTE L'UTILIZZO DELL'IMPIANTO RUOTARE DI 90°, LA LEVA DI ARRESTO D'EMERGENZA. IN QUESTO MODO SARÀ COSÌ POSSIBILE INTERRUPELRE L'ALIMENTAZIONE DELL'UNITÀ E SCARICARE LA PRESSIONE RESIDUA ALL'INTERNO DELLA POMPA.</p>

9. PRODOTTI LAVORABILI

LE POMPE ICON ANEST IWATA SONO CONCEPITE PER LA VERNICIATURA DI MATERIALE FERROSO IN GENERE, LEGNO E PLASTICHE.

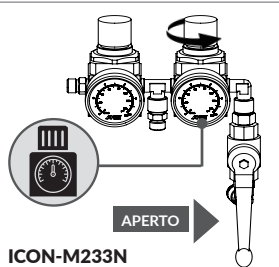
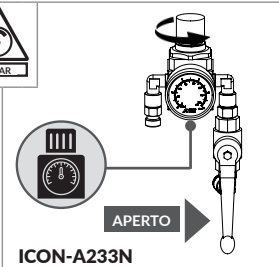
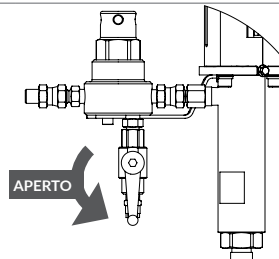
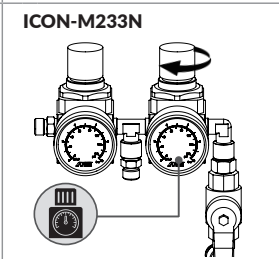
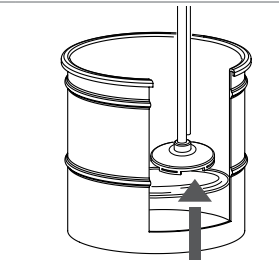
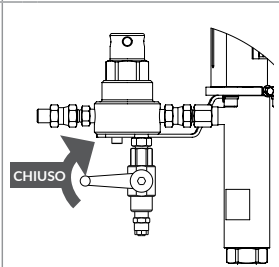
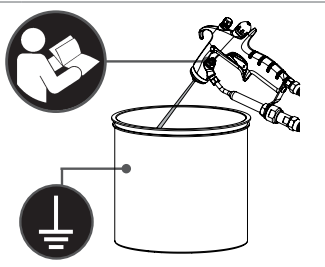
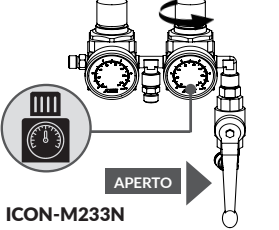
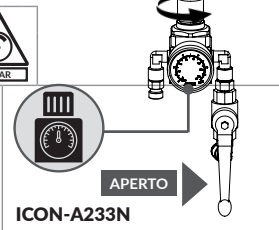
<p>AVVERTENZE</p>	<p>PER L'IMPIEGO DELLE POMPE CON PRODOTTI SPECIALI È NECESSARIA L'APPROVAZIONE DEL PRODUTTORE.</p> <p>E' VIETATO IMPIEGARE:</p> <ul style="list-style-type: none"> - SOLVENTI IDROCARBURI ALOGENATI, QUALI TRICLORUROETANO, CLORURO DI METILENE O SIMILI; - PRODOTTI ALTAMENTE TOSSICI COME BENZENE, KEROSENE O GAS COMBUSTIBILI. - DISERBANTI O PESTICIDI - FLUIDI RADIOATTIVI
	

10. UTILIZZO

	<p>AVVERTENZE</p> <p>COLLEGARE A TERRA CORRETTAMENTE, L'UNITÀ, LA PISTOLA PER VERNICIATURA, I PEZZI DA VERNICIARE E I SERBATOI CONTENENTI I PRODOTTI PER LA PULIZIA DELL'IMPIANTO. UTILIZZARE ESCLUSIVAMENTE RECIPIENTI CONDUTTIVI COLLEGATI A TERRA. Un'insufficiente messa a terra potrebbe causare incendi o esplosioni a causa delle scintille prodotte dall'elettricità statica.</p>
---	---

10.1 PULIZIA PRIMA DELL'UTILIZZO

ATTENZIONE: LA POMPA DEVE ESSERE SEMPRE PULITA PRIMA DEL PRIMO UTILIZZO, QUANDO NON VIENE UTILIZZATA PER LUNGO TEMPO E DOPO OGNI CAMBIO DI COLORE.

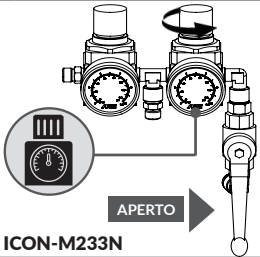
<p>1 Dopo l'installazione (cap.7) e prima di alimentare aria all'impianto, verificare che la valvola a sfera sia aperta e il regolatore sia regolato a 0 bar.</p>	<p>2 Immergere il tubo di aspirazione nel fusto, contenente liquido di pulizia.</p>
 <p>ICON-M233N</p>	 <p>ICON-A233N</p>
<p>3 Aprire la valvola di scarico per il ricircolo del fluido.</p>	<p>4 Regolare lentamente verso l'alto il regolatore di pressione, impostandolo alla minima pressione richiesta per il movimento rettilineo e alternato della pompa.</p>
 <p>APERTO</p>	 <p>ICON-M233N</p>
<p>5 Dopo il lavaggio, scaricare il detergente usato attraverso il tubo di scarico, sollevando il tubo di aspirazione oltre il livello del liquido.</p>	<p>6 Chiudere la valvola di scarico.</p>
 <p>CHIUSO</p>	<p>7 Far defluire il liquido di pulizia dalla pistola.</p>
	
<p>8 Impostare il regolatore aria a 0 bar.</p>	
 <p>ICON-M233N</p>	 <p>ICON-A233N</p>

10.2 UTILIZZO

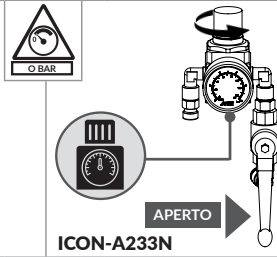


PRIMA DELL'UTILIZZO DELL'IMPIANTO È IMPORTANTE LEGGERE SEMPRE ED OSSERVARE ATTENTAMENTE TUTTE LE AVVERTENZE CONTENUTE NEL MANUALE D'ISTRUZIONI DELLA PISTOLA DA UTILIZZARE. MSGS-200 EVO (Multi Spray) oppure ALG-7 TE (Airless).

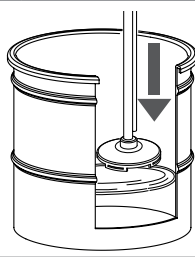
- 1 Dopo la pulizia (10.1) e prima di alimentare aria alla pompa, verificare che la valvola a sfera sia aperta e il regolatore aria sia impostato a 0 bar. 2 Immergere il tubo di aspirazione nel fusto, contenente la vernice.



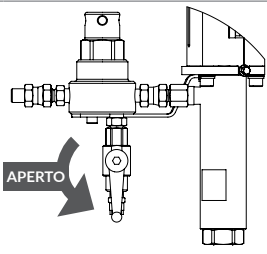
iCON-M233N



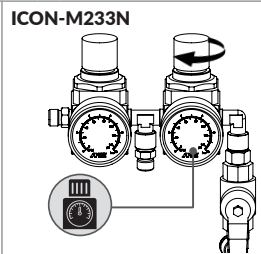
iCON-A233N



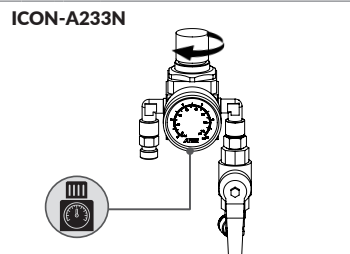
- 3 Aprire la valvola di scarico per il ricircolo del fluido.



- 4 Regolare lentamente verso l'alto il regolatore di pressione, impostandolo alla minima pressione richiesta per il movimento rettilineo e alternato della pompa.

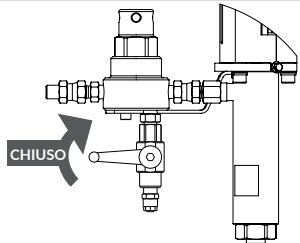


iCON-M233N

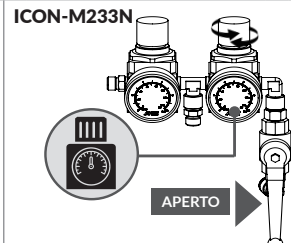


iCON-A233N

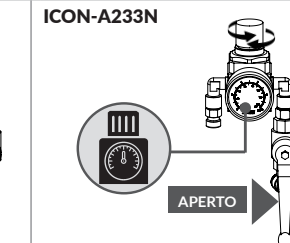
- 5 Assicurarsi che la vernice fuoriesca dal tubo di ricircolo, quindi chiudere la valvola di scarico.



- 6 Calibrare il regolatore di pressione aria, per ottenere la pressione d'esercizio del materiale più adatta alle proprie necessità.

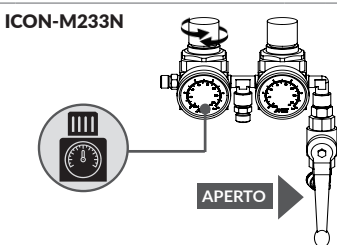


iCON-M233N



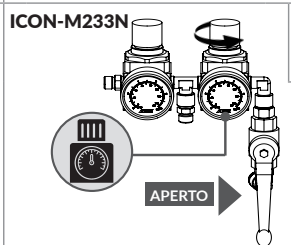
iCON-A233N

- 7 Calibrare il regolatore di pressione aria, per ottenere la pressione d'atomizzazione più adatta alle proprie necessità.

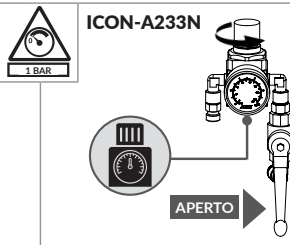


iCON-M233N

- 8 Al termine delle operazioni di verniciatura, impostare il regolatore di pressione dell'aria della pompa al di sotto di 1 bar, quindi ripetere le istruzioni dal punto 5 al punto 8 a pagina 33.



iCON-M233N



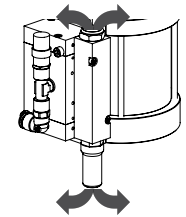
iCON-A233N

ATTENZIONE!



DURANTE IL FUNZIONAMENTO LA POMPA SCARICA ARIA DAI SILENZIATORI.

NON TOCCARE IL BLOCCO DI SCARICO, QUANDO L'IMPIANTO È IN FUNZIONE.



10.3 SCHEMA D'INCREMENTO DELLA PRESSIONE DEL FLUIDO

Modello	Rapporto	Impostazione Regolatore Aria	Incremento Pressione Fluido
iCON-M233N	30:1	0.3MPa (3bar - 43.5psi)	9.0MPa (90bar - 1305psi)
iCON-A233N		0.5MPa (5bar - 72.5psi)	15.0MPa (150bar - 2175psi)
		0.7MPa (7bar - 100psi)	21.0MPa (210bar - 3045psi)

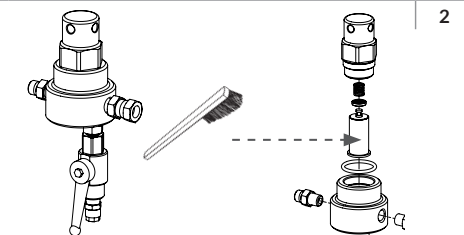
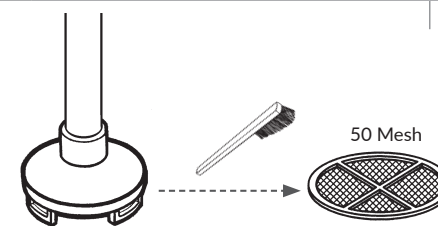
11. MANUTENZIONE ORDINARIA

11.1 MANUTENZIONE GIORNALIERA

- 1 **PULIRE SEMPRE LA POMPA** dopo ogni utilizzo e dopo ogni cambio di colore.
- 2 **VERIFICARE CHE NON SIANO PRESENTI TRAFILAMENTI D'ARIA O DI VERNICE:** Controllare che le tubazioni non siano danneggiate e che tutte le sezioni filettate dei raccordi siano ben sigillate. Sostituire immediatamente in caso di eventuali anomalie.

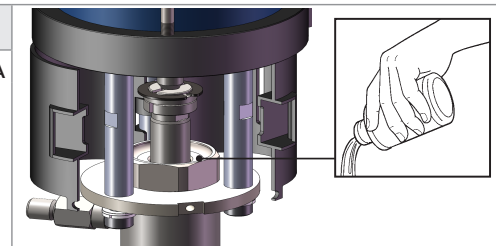
11.2 MANUTENZIONE MENSILE

- 1 **CONTROLLARE IL FILTRO DEL TUBO DI ASPIRAZIONE:** verificare che non vi siano intasamenti o danneggiamenti dello stesso. Pulire o sostituire, se necessario.
- 2 **CONTROLLARE IL FILTRO VERNICE IN MANDATA (TF-1S):** verificare che non vi siano intasamenti o danneggiamenti dello stesso. Pulire o sostituire, se necessario.

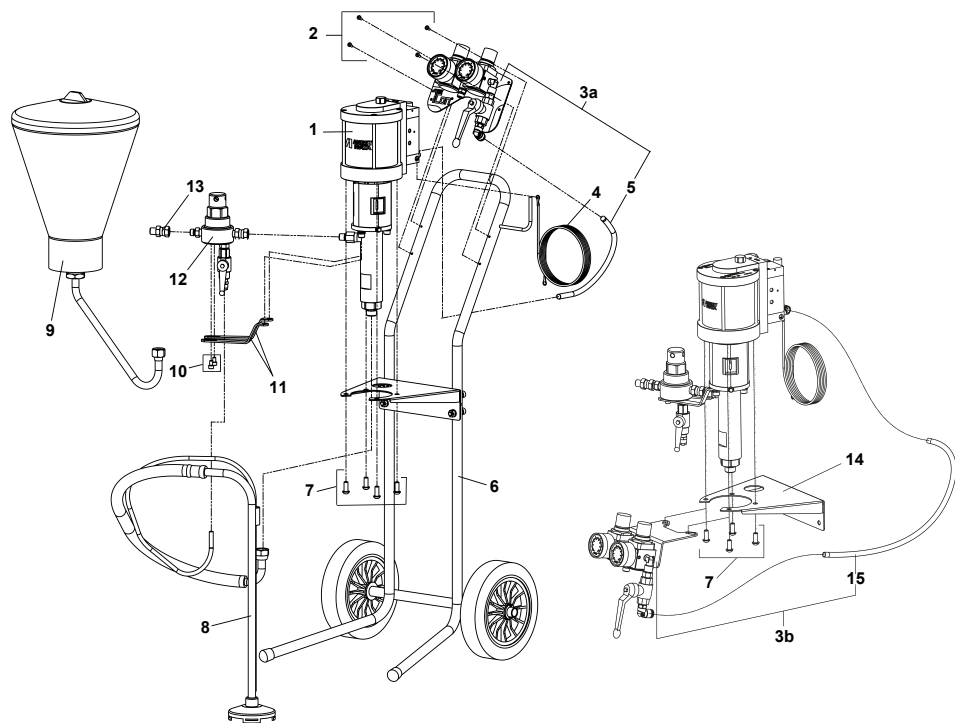


IMPORTANTE!

LA POMPA iCON X3 È STATA PROGETTATA PER FUNZIONARE CON LE VERNICI SENZA IL BISOGNO DI LUBRIFICANTE. TUTTAVIA, IN CASO DI UTILIZZO INTENSIVO, È CONSIGLIATO AGGIUNGERE IL LUBRIFICANTE ANEST IWATA (94445770 - NON INCLUSO) NELLA COPPA DI REGISTRAZIONE PER PROLUNGARE LA DURATA DELLE GUARNIZIONI.

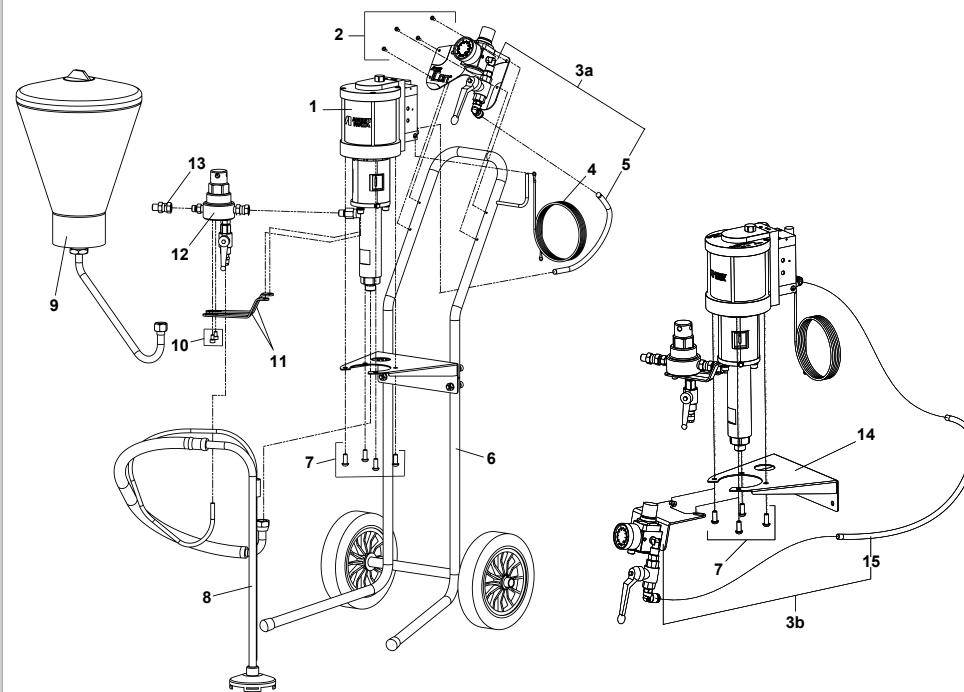


12. CONFIGURAZIONE UNITÀ Icon X3 versione MULTI SPRAY



Pos.	Codice	Descrizione
1	-	SET GRUPPO POMPANTE (PP-3025N)
2	94444790	VITE A TESTA TONDA CON PRESA ESAGONALE (4 pz.)
3a	940188A0	SET REGOLATORE ARIA per VERSIONE su CARRELLO
3b	940189A0	SET REGOLATORE ARIA per STAFFA a MURO
4	ME100001	SET CAVO DI TERRA
5	940157A0	TUBO ARIA 0,3 m (per versione su Carrello)
6	940085A0	SET CARRELLO
7	960055A0	SET VITI A TESTA PIANA RIBASSATA CON PRESA ESAGONALE M8x20 (4 pz.)
8	0101010000	SET TUBAZIONE PESCANTE
9	04005510	SET TRAMOGGIA 6 lt.
10	960056A0	SET VITI DI FISSAGGIO M6x10 (2 pz.)
11	940052A0	SUPPORTO FILTRO
12	140002A0	SET FILTRO VERNICE IN MANDATA TF-15
13	94006030	ADATTATORE G1/4" F - NPSM 1/4" M
14	940192A0	STAFFA PER FISSAGGIO A MURO
15	940060A0	TUBO ARIA 0,5 m (per versione su Staffa a Muro)

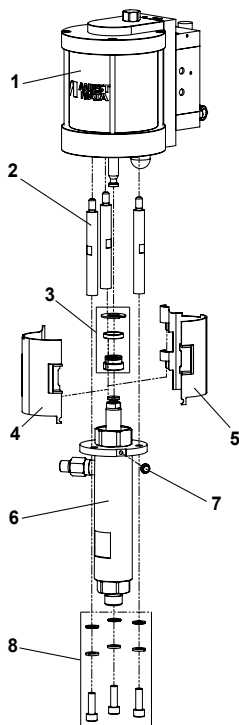
12. CONFIGURAZIONE UNITÀ Icon X3 versione AIRLESS



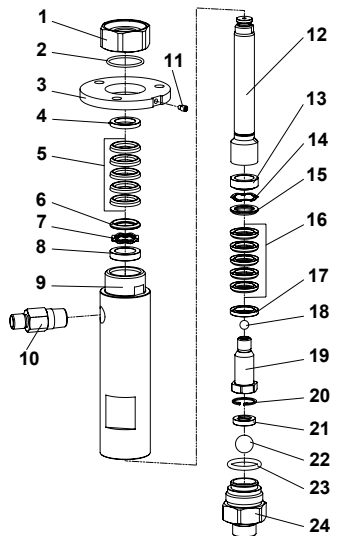
Pos.	Codice	Descrizione
1	-	SET GRUPPO POMPANTE (PP-3025N)
2	94444790	VITE A TESTA TONDA CON PRESA ESAGONALE (4 pz.)
3a	940190A0	SET REGOLATORE ARIA per VERSIONE su CARRELLO
3b	940191A0	SET REGOLATORE ARIA per STAFFA a MURO
4	ME100001	SET CAVO DI TERRA
5	940157A0	TUBO ARIA 0,3 m (per versione su Carrello)
6	940085A0	SET CARRELLO
7	960055A0	SET VITI A TESTA PIANA RIBASSATA CON PRESA ESAGONALE M8x20 (4 pz.)
8	0101010000	SET TUBAZIONE PESCANTE
9	04005510	SET TRAMOGGIA 6 lt.
10	960056A0	SET VITI DI FISSAGGIO M6x10 (2 pz.)
11	940052A0	SUPPORTO FILTRO
12	140002A0	SET FILTRO VERNICE IN MANDATA TF-15
13	94006030	ADATTATORE G1/4" F - NPSM 1/4" M
14	940192A0	STAFFA PER FISSAGGIO A MURO
15	940060A0	TUBO ARIA 0,5 m (per versione su Staffa a Muro)

12.1 SET GRUPPO POMPANTE

Pos.	Codice	Descrizione
1	940000A0	SET MOTORE PNEUMATICO
2	940036A0	ALBERO DI CONNESSIONE
3	940193A0	SET GIUNTO
4	940093A0	PROTEZIONE (SX)
5	940094A0	PROTEZIONE (DX)
6	940014A0	SET GAMBO POMPA
7	960047A0	VITE FISSAGGIO PRESA ESAGONALE M5x12
8	940170A0	SET VITI + RONDELLE (3+3+3 pz.)



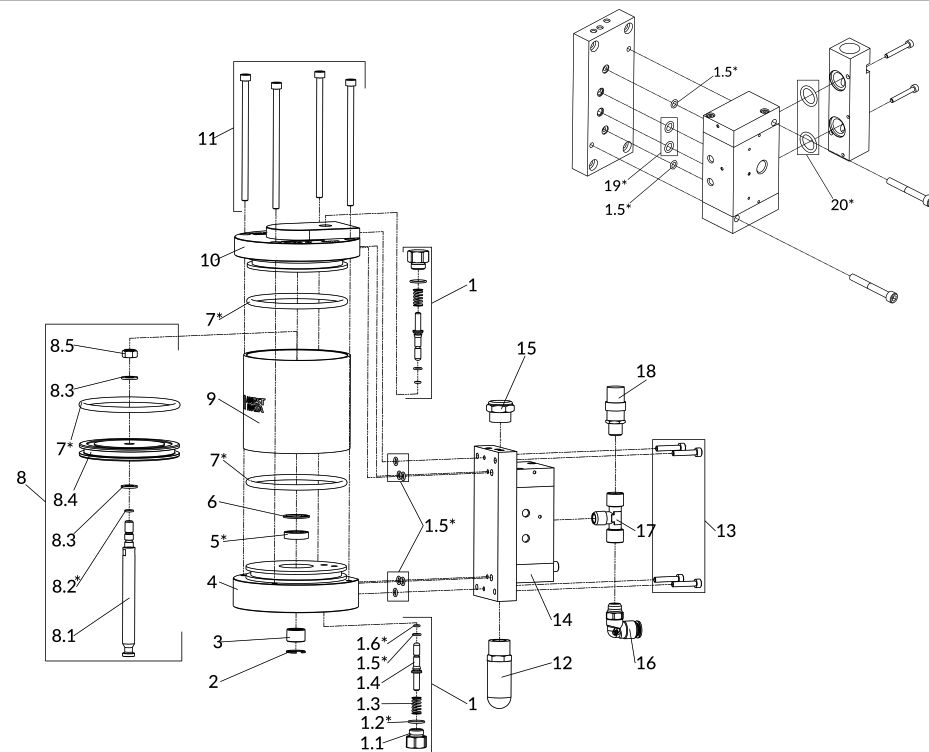
12.2 SET GAMBO POMPA



Pos.	Codice	Descrizione
1	940031A0	COPPA DI REGISTRAZIONE
2	960011A0	O-RING 2.0-29.5
3	940112A0	FLANGIA
4	940126A0	ADATTATORE SUPERIORE a "V" (FEMMINA)
5	940069A0	SET GUARNIZIONI SUPERIORI a "V" (3 PE + 2 PTFE)
6	940123A0	ADATTATORE SUPERIORE a "V" (MASCHIO)
7	940122A0	MOLLA MULTISTRATO A ONDA
8	940121A0	SEDE MOLLA

Pos.	Codice	Descrizione
9	940015A0	CAMICIA
10	940032A0	RACCORDO MATERIALE
11	960040A0	TAPPO
12	940166A0	STELO
13	940127A0	SEDE MOLLA
14	940128A0	MOLLA ANNIDATA A BALZA
15	940129A0	ADATTATORE INFERIORE a "V" (MASCHIO)
16	940070A0	SET GUARNIZIONI INFERIORI a "V" (3 PE + 2 PTFE)
17	940132A0	ADATTATORE INFERIORE a "V" (FEMMINA)
18	06662025	SFERA 5/16"
19	940021A0	VALVOLA SUPERIORE
20	960014A0	ANELLO DI FERMO 20
21	04944770	GUARNIZIONE VALVOLA
22	06662050	SFERA 5/8"
23	960015A0	O-RING 3.53-23.39
24	940033A0	VALVOLA INFERIORE

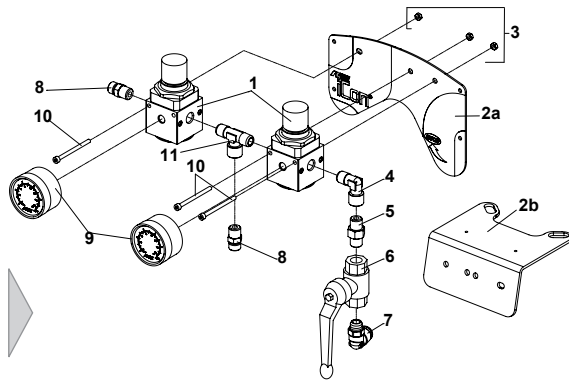
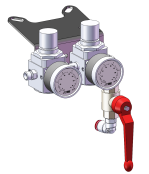
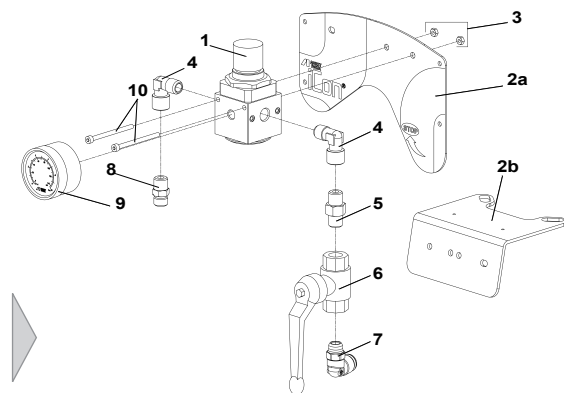
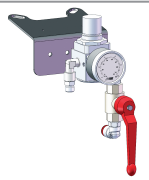
12.3 SET MOTORE ARIA



Pos.	Codice	Descrizione
1	940073A0	SET VALVOLA PILOTA
1.1	940007A0	CHIUSURA VALVOLA
1.2*	96997009	O-RING \varnothing 1.5-13.5
1.3	940006A0	MOLLA
1.4	940005A0	PISTONE
1.5*	96997003	O-RING \varnothing 1.5-5.5
1.6*	96997012	O-RING \varnothing 1.5-3.5
2	960000A0	ANELLO DI FERMO 18
3	940002A0	BOCCOLA
4	940001A0	MODULO INFERIORE
5*	960001A0	GUARNIZIONE A "U"
6	960002A0	ANELLO DI FERMO 24
7*	960004A0	O-RING \varnothing 5.33-89.69
8	940065A0	SET STELO MOTORE
8.1	940159A0	STELO MOTORE
8.2*	960052A0	O-RING \varnothing 1.5-6

Pos.	Codice	Descrizione
8.3	06363080	RONDELLA
8.4	940004A0	PISTONE
8.5	960003A0	DADO ESAGONALE AUTOBLOCCANTE
9	940008A0	CILINDRO
10	940010A0	MODULO SUPERIORE
11	960006A0	SET VITI DI FISSAGGIO A PRESA ESAGONALE M6X120 (4 pz.)
12	960010A0	SILENZIATORE
13	96350525	SET VITI DI FISSAGGIO A PRESA ESAGONALE M5x25 (4 pz.)
14	940174A0	VALVOLA DI SCAMBIO
15	04447820	FILTRO DI SCARICO
16	UL300309	RACCORDO A GOMITO
17	UL30030000	RACCORDO A "T"
18	UL30036000	VALVOLA DI SICUREZZA
19*	060031A0	O-RING \varnothing 1.78 - 7.65
20*	060008A0	O-RING \varnothing 2.62 - 15.54
(*)	940072A0	SET O-RING MOTORE PNEUMATICO & VALVOLA DI SCAMBIO

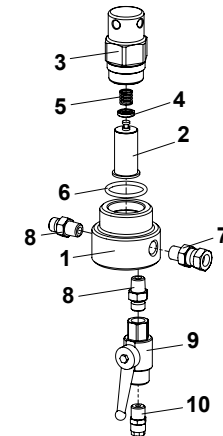
12.4 SET REGOLATORI ARIA

SET REGOLATORE ARIA
per Unitá Multi SprayVersione su
CARRELLOVersione su
STAFFA a MUROSET REGOLATORE
ARIA per Unitá AirlessVersione su
CARRELLOVersione su
STAFFA a MURO

Pos.	Codice	Descrizione	Q.tà	
			M233N	A233N
1	UI00070001	REGOLATORE ARIA	2	1
2a	940156A0	PIASTRA REGOLATORE ARIA (per versione su Carrello)	1	1
2b	UL00005201	PIASTRA REGOLATORE ARIA (per versione su Staffa a Muro)	1	1
3	UL300700	DADO ESAGONALE M4	3	2
4	UL300201	RACCORDO A "L"	1	2
5	UL300101	RACCORDO	1	1
6	UL30034901	VALVOLA A DUE VIE CON FORO DI SCARICO	1	1
7	UL300309	RACCORDO A GOMITO	1	1
8	UL30010501	RACCORDO SPECIALE R1/4" - G1/4"	2	1
9	02004003	MANOMETRO (bar - psi)	2	1
10	06350455	VITE DI FISSAGGIO A PRESA ESAGONALE M4x55	3	2
11	UL300303	RACCORDO A "T"	1	0

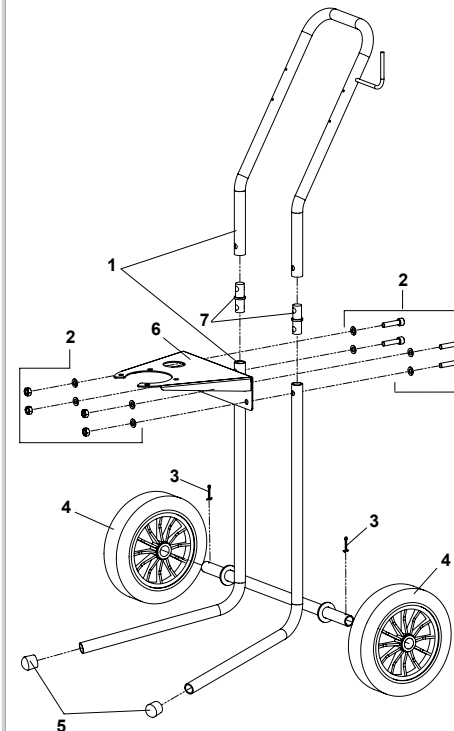
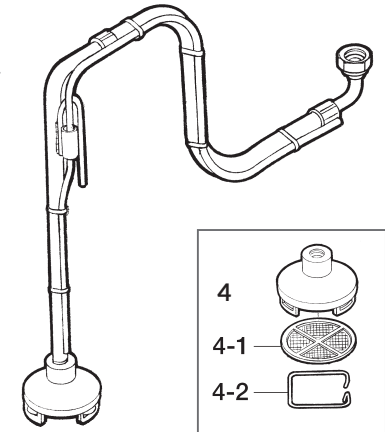
12.5 FILTRO VERNICE IN MANDATA TF-1S

Pos.	Codice	Descrizione
1	940053A0	CORPO FILTRO
2	VFM2704	FILTRO 100 MESH
3	940054A0	CILINDRO
4	940055A0	SEDE MOLLA
5	940056A0	MOLLA FILTRO
6	960021A0	O-RING 3.53-32.92
7	96859022	RACCORDO GIREVOLE R1/4"M - G1/4"F
8	UL300462	RACCORDO G1/4" - R1/4"
9	UL30090100	VALVOLA DI SCARICO A DUE VIE
10	UL300302	RACCORDO PORTATUBO



12.6 SET TUBAZIONE PESCANTE

Pos.	Codice	Descrizione
4	UL10000701	CAMPANA FILTRO COMPLETA
4-1	0040720100	FILTRO 50 MESH
4-2	00407203	MOLLA FERMA FILTRO



12.7 SET CARRELLO

Pos.	Codice	Descrizione
1	940113A0	STRUTTURA CARRELLO
2	940169A0	SET VITI DI FISSAGGIO + DADI + RONDELLE (4+4+8 pz.)
3	UL300811	COPPIGLIA
4	UL200001	RUOTA
5	960019A0	PIEDINI IN GOMMA
6	940192A0	STAFFA A MURO
7	940089A0	MANICOTTO DI GIUNZIONE

13. DISFUNZIONI, CAUSE E RIMEDI




INCONVENIENTE	CAUSA	VERIFICA	SOLUZIONE
1 La pressione dell'aria non aumenta.	a La valvola a sfera non é nella posizione corretta.	a Verificare che la valvola a sfera sia nella posizione corretta.	a Regolare la valvola a sfera nella posizione corretta.
	b Il regolatore aria non é aperto.	b Verificare il corretto funzionamento del regolatore aria.	b Se fosse chiuso, apritelo. Se fosse danneggiato sostituitelo.
	c Pressione aria é insufficiente.	c Verificare il corretto funzionamento del manometro del regolatore aria.	c Se constatate che il compressore non fornisce sufficiente pressione aria, sostituitelo con uno di maggior capacità.
2 La vernice non fuoriesce dalla pistola.	a Il filtro o il circuito della vernice risulta bloccato.	a Aprendo la valvola di scarico la vernice non fuoriesce.	a Il circuito della vernice é bloccato dall'entrata della pompa sino al raccordo del tubo materiale. Verificare il circuito della vernice ed eliminare il materiale che ostruisce il passaggio.
		a1 Aprendo la valvola di scarico, la vernice fuoriesce regolarmente, ma tirando il grilletto della pistola no.	a1 Il percorso della vernice é bloccato dal raccordo del tubo materiale all'ugello della pistola. Verificare il punto d'ostruzione ed eliminare l'intasamento. Generalmente questo inconveniente é causato dalla ostruzione del filtro pistola. *Far riferimento al manuale della pistola utilizzata per risolvere il problema.
	b Ugello otturato.	b Rimuovere l'ugello e premere il grilletto della pistola. Se la vernice fuoriesce significa che l'ugello é otturato.	b *Far riferimento al manuale della pistola utilizzata per risolvere il problema.
	c Arresto di sicurezza inceppato.		c Sbloccate l'arresto di sicurezza.
3 La pompa non funziona.	a L'aria non alimenta la pompa.	a Verificare la tubazione d'alimentazione aria della pompa.	a Sostituire se danneggiata o bloccata.
	b La pompa ha un problema tecnico.	b Separate il motore pneumatico dal gruppo pompante e testatelo utilizzando una diversa tubazione dell'aria.	b Se il motore funziona correttamente, seguite le indicazioni relative ai rimedi riportati al punto 2 (a-b)
			c Se il motore non funziona correttamente, smontate il cilindro ed ispezionatelo. In caso di particolari anomalie, inviatelo al nostro servizio per l'Assistenza Tecnica.
4 La pompa non si arresta.	a E' entrata aria nei passaggi vernice.	a Assicurarsi che la tubazione del pescante sia collegata correttamente.	a Stringere il raccordo del pescante.

13. DISFUNZIONI, CAUSE E RIMEDI

INCONVENIENTE	CAUSA	VERIFICA	SOLUZIONE
4 La pompa non si arresta.	b Permanenza di aria nei passaggi della vernice.	b Verificate che la vernice sia in buone condizioni e che la tubazione pescante sia completamente immersa nel prodotto da pompare.	b Se la vernice é in condizioni normali, aumentate il livello finché non avrà almeno sommerso la campana del pescante. Dopodiché seguite le operazioni di avviamento relative allo scarico dell'aria nei passaggi vernice.
	c Le sedi e le sfere (all'interno del gambo pompa) sono sporche o danneggiate.	c Disassemblate il gambo pompa e verificate le condizioni delle sedi e delle sfere.	c Pulirle se risultassero incrostate da residui di vernice solidificata, altrimenti sostituitele se risultassero irreparabilmente danneggiate.
	d Le guarnizioni a "V" (all'interno del gambo pompa) sono sporche o danneggiate.	d Disassemblate il gambo pompa e verificate le condizioni delle guarnizioni a "V".	d Pulirle se risultassero incrostate da residui di vernice solidificata, altrimenti sostituitele se risultassero irreparabilmente danneggiate.
	e Perdite dai passaggi vernice.	e Ispezionare tutti i passaggi vernice.	e Se riscontrate dei trafileamenti provvedete ad eliminarli.
5 Il ventaglio cambia continuamente dimensione.	f La valvola di scarico non é chiusa.		f Chiudete la valvola di scarico.
	a Le guarnizioni a "V" (all'interno del gambo pompa) sono sporche o danneggiate.	a Disassemblate il gambo pompa e verificate le condizioni delle guarnizioni a "V".	a Pulirle se risultassero incrostate da residui di vernice solidificata, altrimenti sostituitele se risultassero irreparabilmente danneggiate.
	b Le sedi e le sfere (all'interno del gambo pompa) sono sporche o danneggiate.	b Disassemblate il gambo pompa e verificate le condizioni delle sedi e delle sfere.	b Pulirle se risultassero incrostate da residui di vernice solidificata, altrimenti sostituitele se risultassero irreparabilmente danneggiate.
	c L'ugello della pistola é usurato.		c Sostituitelo.
6 L'indicatore di pressione del manometro indica la presenza di pressione anche se il regolatore aria é chiuso.	d Il filtro vernice del circuito della vernice risulta intasato.		d Far riferimento al punto (2 - a).
	a Regolatore aria danneggiato.		a Sostituirlo.

Cher Client,
Nous vous remercions d'avoir choisi un de nos produits et nous sommes heureux de vous compter parmi nos clients. Nous espérons que l'emploi de cet appareillage pourra vous satisfaire et répondre aux exigences de votre personnel.






1. INFORMATIONS IMPORTANTES











IMPORTANT	Ce manuel est une partie intégrante de l'installation et il doit être lu attentivement avant de commencer n'importe quelle opération qui inclut la mise en marche, le réglage, l'entretien, y compris sa maintenance. Ce manuel doit être tenu dans un lieu sûr pour toute référence future. S'assurer de respecter toujours les avertissements et les précautions contenus dans ce manuel d'instructions. Dans le cas contraire, de la peinture à haute pression pourrait être éjectée avec des dommages physiques causés par les solvants organiques.
	
  II 2 G T6 X	<p>Les unités ICon ANEST IWATA Airless et Multi Spray sont conformes aux normes ATEX 2014/34/EU;</p> <ul style="list-style-type: none"> • Niveau de protection: II 2G T6 • Groupe de l'appareillage: II • Catégorie: Gaz 2G (Indiquées pour l'emploi dans des zones 1 et 2) • Zone: Gaz 1 • Température de surface maximale: classe de température T6.

RESPECTER TOUJOURS LES AVERTISSEMENTS ET LES PRECAUTIONS CONTENUS DANS CE MANUEL D'INSTRUCTIONS.

	AVERTISSEMENTS	NIVEAU DE DANGER	CONSEQUENCES
	AVERTISSEMENTS ATTENTION	SITUATION POTENTIELLEMENT DANGEREUSE	GRAVES RISQUES POUR LA SANTE ET LA VIE RISQUES MODERES

2. AVERTISSEMENTS DE SÛRETÉ.

	AVERTISSEMENTS	RISQUES D'INCENDIES ET D'EXPLOSIONS
		LA PRESENCE DE FLAMMES NUES ET LA PRODUCTION D'ÉTINCELLES EST STRICTEMENT INTERDITE. Les peintures peuvent être extrêmement inflammables et donc causer des incendies graves. Éviter toute action qui pourrait provoquer des incendies, telle que fumer, créer des étincelles ou utiliser des équipements électriques non adéquats.
		CONNECTER CORRECTEMENT A LA TERRE L'UNITÉ, A TRAVERS LE CÂBLE DE MISE A LA TERRE INCLUS: 1.6m - cosse de câble Ø 6.5. Résistance électrique: >1MΩ. Contrôler périodiquement cette valeur. S'assurer que la pompe, le pistolet, l'objet à peindre et les récipients des peintures ou des solvants soient connectés correctement à la terre. Toute mise à la terre inadéquate ou insuffisante pourrait causer des incendies ou des explosions provoqués par les étincelles produites par l'électricité statique.
		NE JAMAIS UTILISER DE SOLVANTS HYDROCARBURES HALOGENES, qui pourraient causer des dommages et faire fondre les parties en aluminium, provoqués par des réactions chimiques. LES SOLVANTS INCOMPATIBLES SONT LES SUIVANTS: Chlorure de Méthyle, Dichlorométhane, 1,2-Dichloréthane, Tétrachlorure de Carbone, Trichloréthylène, 1,1,1-Trichloréthane. S'ASSURER QUE TOUS LES MATÉRIELS ET LES SOLVANTS SOIENT COMPATIBLES AVEC TOUTES LES PARTIES DE L'UNITÉ'. La Société pourra vous fournir une liste des matériels utilisés dans le produit.
	AVERTISSEMENTS	RISQUES D'UTILISATION ABUSIVE
		NE JAMAIS POINTER LE PISTOLET VERS LE CORPS HUMAIN OU LES ANIMAUX. NE JAMAIS APPUYER SUR LA GACHETTE DU PISTOLET QUAND LES PARTIES DU CORPS OU LES DOIGTS SONT PRÈS DE LA BUSE. Dans le cas contraire, des risques de blessures physiques aux yeux et à la peau ou au corps pourraient se produire. En cas de n'importe quel trouble physique pendant les phases de travail, consulter immédiatement un médecin.
		NE JAMAIS DEPASSER LA PRESSION MAXIMALE OU LA TEMPERATURE MAXIMALE DE SERVICE. Toute emploi à une pression supérieure à la pression maximale pourrait causer l'explosion du pistolet en provoquant de graves dommages.
		S'ASSURER DE DECHARGER TOUJOURS LA PRESSION DE L'AIR ET DU MATÉRIEL AVANT D'EFFECTUER LES OPERATIONS DE NETTOYAGE, DESASSEMBLAGE OU ENTRETIEN. Dans le cas contraire, la pression résiduelle pourrait provoquer des blessures au corps, causées par des opérations incorrectes ou par la dispersion des liquides utilisés pour le nettoyage. Pour décharger la pression, fermer d'abord l'alimentation de l'air de la pompe.

	AVERTISSEMENTS	RISQUES POUR LA SANTE ET PROTECTIONS DU CORPS
		UTILISEZ TOUJOURS LE SYSTÈME DANS LA CABINE DE PEINTURE AVEC UNE VENTILATION CORRECTE. Toute ventilation inadéquate ou insuffisante pourrait provoquer une intoxication par solvants organiques ou causer des incendies. En cas de n'importe quel trouble physique pendant les phases de travail, consulter immédiatement un médecin.
   		PORTER TOUJOURS DES VÊTEMENTS DE PROTECTION (lunettes de protection, masque, gants). Dans le cas contraire les produits de nettoyage pourraient provoquer une inflammation aux yeux et à la peau. Au cas où le moindre risque de dommage physique pour les yeux ou la peau se produirait, consulter immédiatement un médecin. Le niveau de bruit du pistolet de peinture ANEST IWATA, ne dépasse pas la valeur de pression acoustique pondérée A de 85 dB (A), relative au risque d'exposition journalière au bruit. On recommande toujours d'utiliser des protecteurs auditifs individuels, car les conditions d'emploi et l'influence d'autres bruits présents dans le milieu de travail, pourraient augmenter la valeur moyenne permise.
		S'ASSURER D'ARRÊTER LA POMPE, DE RÉDUIRE LA PRESSION DE L'AIR ET DU FLUIDE A 0 BAR ET D'ACTIVER LE VERROUILLAGE DE SÉCURITÉ DU PISTOLET AVANT D'ASSEMBLER OU DE DESASSEMBLER LA BUSE. Tout écoulement de peinture ou de solvant pendant le fonctionnement pourrait provoquer de graves dommages.
		Pour les arrêts d'urgence, lorsque la distance entre le pistolet et le système de pompage est assez grande; nous recommandons d'installer un robinet à boisseau sphérique pour fermer la livraison de peinture à l'entrée du pistolet.
 		NE JAMAIS ESSAYER D'ARRÊTER LES FUITES DE PEINTURE AVEC LES MAINS. En cas de fuites, arrêter immédiatement la pompe et réduire sa pression à 0 bar. La peinture à haute pression pourrait causer de graves blessures au corps. Au cas de n'importe quel problème physique pendant les phases de travail, consulter immédiatement un médecin.
		L'emploi constant du pistolet à peinture qui prévoit une pression manuelle prolongée sur la gâchette pourrait provoquer la syndrome du canal carpien. EN CAS DE FATIGUE DE LA MAIN, ARRÊTEZ LES OPERATIONS DE VERNISSAGE POUR FAIRE UNE PETITE PAUSE.
	AVERTISSEMENTS	AUTRES PRECAUTIONS
		NE JAMAIS MODIFIEZ LA POMPE. AUTREMENT DES DYSFONCTIONNEMENTS, OU DANS DES CAS EXTRÊMES, DES EXPLOSIONS POURRAIENT SE PRODUIRE.
		NE JAMAIS ENTRER DANS LES ZONES DE TRAVAIL DES ÉQUIPEMENTS EN MARCHÉ (ROBOTS, RECIPROCATEURS, ETC.) JUSQU'À CE QU'ILS NE SOIENT PAS DESACTIVÉS. Tout contact avec ces équipements en mouvement pourrait causer de graves blessures.
		NE JAMAIS UTILISER LE SYSTÈME POUR PULVÉRISER DES PRODUITS ALIMENTAIRES OU CHIMIQUES. Autrement, les substances corrosives contenues dans les produits eux-mêmes pourraient provoquer une corrosion des passages du produit, entraînant de graves risques pour la santé et des dommages au système.
		EN CAS DE MAUVAIS FONCTIONNEMENTS, ARRÊTEZ IMMÉDIATEMENT LES OPERATIONS DE VERNISSAGE POUR IDENTIFIER L'ORIGINE DE LA PANNE. Ne réutilisez pas l'équipement tant que le problème n'est pas résolu.
		NE JAMAIS UTILISER D'AUTRES COMPOSANTS OU D'AUTRES PIÈCES DE RECHANGE QUI NE SOIENT PAS ORIGINALES ANEST IWATA.
	AVERTISSEMENTS	RISQUE D'ECLATEMENT DU TUYAU DE LA PEINTURE
		NE PAS UTILISER DE TUYAUX DU PEINTURE FISSURES, ENDOMMAGES, PLIES OU ECRASES. La peinture à haute pression émise à travers un petit trou pourrait percer une plaque de fer et provoquer de graves dommages.
		NE PAS PLIER LES TUYAUX DU MATÉRIEL AVEC UN RAYON INFÉRIEUR À CELUI QUI EST PERMIS. Contacter le revendeur ou directement notre Société pour connaître le rayon de courbure le plus adéquat. Ne pas appuyer d'objets lourds sur les tuyaux afin d'éviter de les endommager. Dans le cas contraire, ils pourraient exploser en provoquant de graves dommages.
	3. MANUELS DE REFERENCE	
Code du manuel	Modèle	Description
040057A0	ICON-M233N/ ICON-A233N	Pompe ICON X3
W5MSG5	MSG5-200 EVO	Pistolet Multi Spray
MJ T080-00	ALG-7 TE WB	Pistolet Airless

CONFIGURATION DES MODÈLES iCon "MULTI SPRAY"

ICON M233N-S

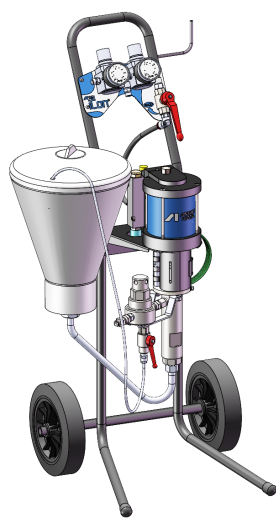
Pompe montée sur CART À ROULETTE avec
CANNE d'ASPIRATION

2 Régulateurs pression d'air (1 pour pompe - 1 pour pistolet)
Filtre de peinture en reflux - TF-1S (100 mesh)
Canne d'aspiration avec filtre (50 mesh)
Tuyau retour produit
Dimensions (LxWxH): 495 x 450 x 965 mm - Poids: 16 Kg

**ICON M233N-H**

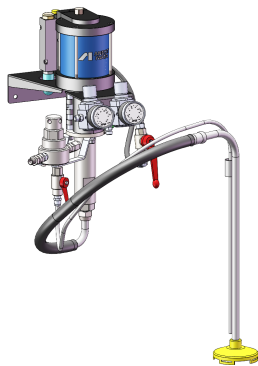
Pompe montée sur CART À ROULETTE avec
GODET GRAVITÉ 6lt.

2 Régulateurs pression d'air (1 pour pompe - 1 pour pistolet)
Filtre de peinture en reflux - TF-1S (100 mesh)
Godet Gravité (6 lt.) avec filtre (50 mesh)
Tuyau retour produit
Dimensions (LxWxH): 495 x 550 x 965 mm - Poids: 16 Kg

**ICON M233N-SWM**

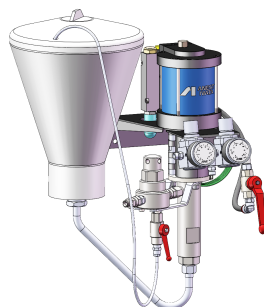
Pompe montée sur ÉQUERRE MURALE avec
CANNE d'ASPIRATION

2 Régulateurs pression d'air (1 pour pompe - 1 pour pistolet)
Filtre de peinture en reflux - TF-1S (100 mesh)
Canne d'aspiration avec filtre (50 mesh)
Tuyau retour produit
Dimensions (LxWxH): 380 x 320 x 515 mm - Poids: 11 Kg

**ICON M233N-HWM**

Pompe montée sur ÉQUERRE MURALE avec
GODET GRAVITÉ 6lt.

2 Régulateurs pression d'air (1 pour pompe - 1 pour pistolet)
Filtre de peinture en reflux - TF-1S (100 mesh)
Godet Gravité (6 lt.) avec filtre (50 mesh)
Tuyau retour produit
Dimensions (LxWxH): 380 x 420 x 515 mm - Poids: 11 Kg



CONFIGURATION DES MODÈLES iCon "AIRLESS"

ICON A233N-S

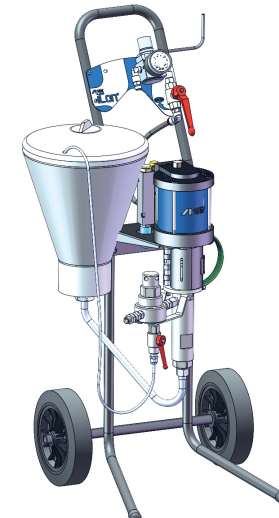
Pompe montée sur CART À ROULETTE avec
CANNE d'ASPIRATION

Régulateur pression d'air
Filtre de peinture en reflux - TF-1S (100 mesh)
Canne d'aspiration avec filtre (50 mesh)
Tuyau retour produit
Dimensions (LxWxH): 495 x 450 x 965 mm - Poids: 16 Kg

**ICON A233N-H**

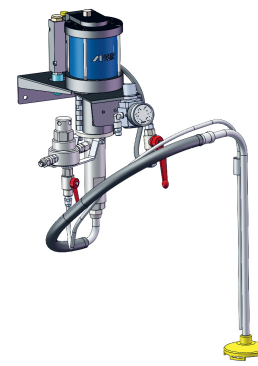
Pompe montée sur CART À ROULETTE avec
GODET GRAVITÉ 6lt.

Régulateur pression d'air
Filtre de peinture en reflux - TF-1S (100 mesh)
Godet Gravité (6 lt.) avec filtre (50 mesh)
Tuyau retour produit
Dimensions (LxWxH): 495 x 450 x 965 mm - Poids: 16 Kg

**ICON A233N-SWM**

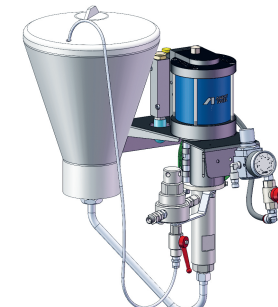
Pompe montée sur ÉQUERRE MURALE avec
CANNE d'ASPIRATION

Régulateur pression d'air
Filtre de peinture en reflux - TF-1S (100 mesh)
Canne d'aspiration avec filtre (50 mesh)
Tuyau retour produit
Dimensions (LxWxH): 380 x 320 x 515 mm - Poids: 11 Kg

**ICON A233N-HWM**

Pompe montée sur ÉQUERRE MURALE avec
GODET GRAVITÉ 6lt.

Régulateur pression d'air
Filtre de peinture en reflux - TF-1S (100 mesh)
Godet Gravité (6 lt.) avec filtre (50 mesh)
Tuyau retour produit
Dimensions (LxWxH): 380 x 320 x 515 mm - Poids: 11 Kg

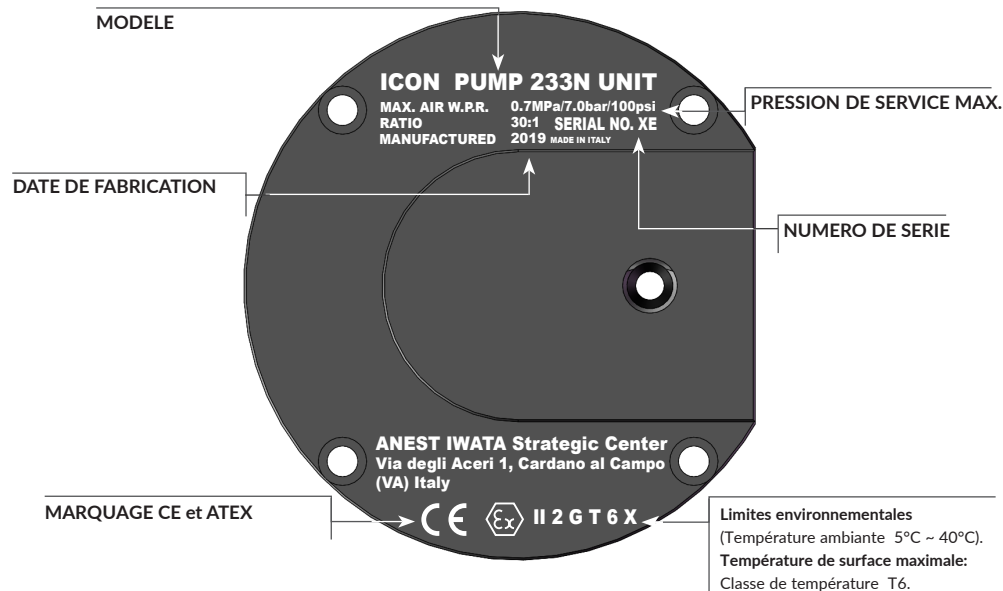


4. DONNÉES TECHNIQUES

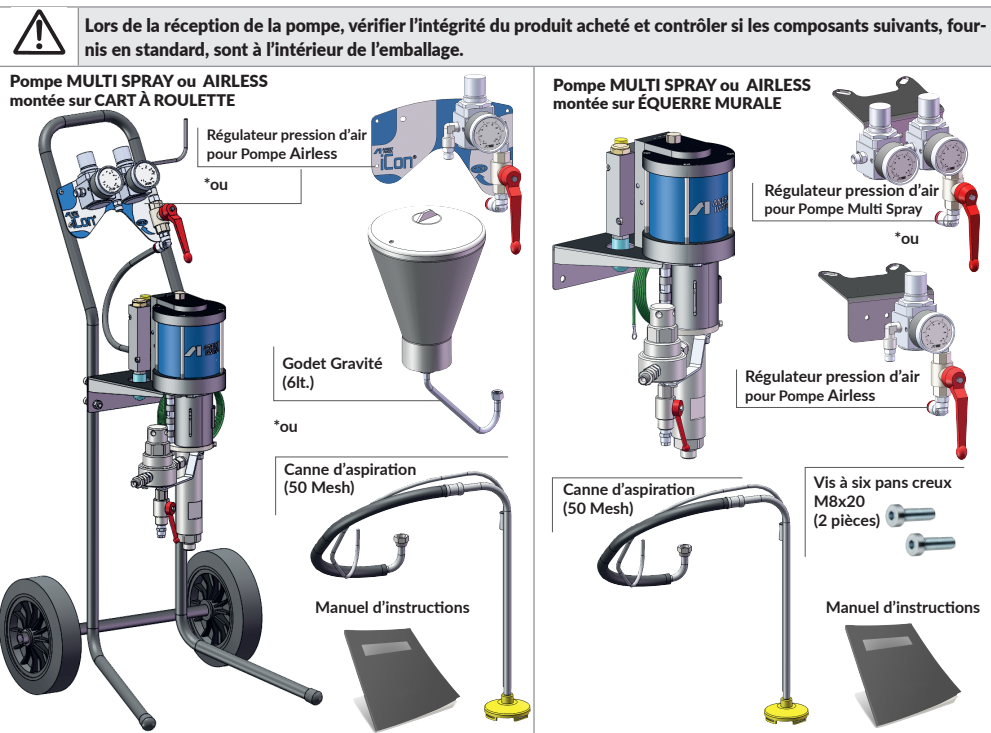
VERSIONS:	ICON-M233N	ICON-A233N
MODÈLE DE POMPE:	PP-3025N	
Diamètre cylindre moteur:	100 mm	
Filtre peinture:	Filtre peinture en refoulement	TF-1S (100 Mesh)
	Filtre d'aspiration	50 Mesh
Pression max. de service produit:	210 bar (21 MPa)	
Pression max. d'entrée air:	7.0 bar (0.7 MPa)	
Rapport de pression:	30:1	
Température d'emploi:	5°~40° C	
Niveau de bruit:	84.7 dB(A)	
Consommation d'air:	110 NI/min. à 30 cyc/min.	
Débit Produit:	Volume par cycle	25 ml
	Max. Volume/min.	2.5 l/min.
Nombre de cycles par minute	100 cyc	
Matériel des passages de la peinture	Ensemble filtre peinture	Corps: AISI303 - Filtre: AISI304/Polyamide
	Ensemble tuyau d'aspiration	Tuyau flexible: Caoutchouc - Tuyau rigide, filtre et raccords: AISI304
	Tige de la pompe	Principalement: AISI303 - PE - PTFE

5. IDENTIFICATION DU PRODUIT

DONNÉES DE LA PLAQUE: Les données d'identification du fabricant sont imprimées sur toutes les unités Multi Spray et Airless (voir figure). Ces informations ne doivent absolument pas être supprimées, même en cas de revente de l'appareillage. Pour toute communication avec le fabricant, indiquez toujours le numéro de série imprimé sur la pompe elle-même.



6. CONTENU DE L'EMBALLAGE



6.1 TRANSPORT ET MANUTENTION

Pour le transport de l'équipement, il n'est pas possible d'utiliser d'autres systèmes à l'exception de ceux indiqués ci-dessous. Dans tous les cas, il est essentiel de s'assurer que le moyen de transport et de levage utilisé est capable de supporter le poids du système avec l'emballage complet.

AVERTISSEMENTS	GARDER TOUJOURS L'EMBALLAGE DANS UNE POSITION VERTICALE.
	LE PERSONNEL DE MANUTENTION DE CHARGE DOIT TOUJOURS PORTER DES GANTS DE PROTECTION ET DES CHAUSSURES DE SÉCURITÉ.
	PENDANT LE LEVAGE OU LA MANIPULATION DE L'ÉQUIPEMENT OU DE TOUT DE SES COMPOSANTS, DÉGAGER LA ZONE DE TRAVAIL. LAISSER ÉGALEMENT UNE ZONE DE SÉCURITÉ SUFFISANTE AUTOUR DE L'ÉQUIPEMENT POUR ÉVITER D'ENDOMMAGER LES PERSONNES OU LES OBJETS.

6.2 MANUTENTION ET STOCKAGE

L'ÉQUIPEMENT EST MIS À L'INTÉRIEUR D'UN EMBALLAGE EN CARTON ET EMBALLÉ AVEC QUELQUES MATÉRIEAUX ANTI-CHOC.

AVERTISSEMENTS	POUR LA MANUTENTION DE L'EMBALLAGE EN CARTON IL FAUT EMPLOYER EXCLUSIVEMENT UN CHARIOT MANUEL.
	SUIVRE LES INDICATIONS ECRITES SUR L'EMBALLAGE AVANT TOUTE MANUTENTION.
	PENDANT LE TRANSPORT ET LE STOCKAGE, ASSUREZ-VOUS QUE LES TEMPÉRATURES ENTRE 0 ET 40 ° C NE SONT PAS DÉPASSÉES. EN CAS DE STOCKAGE, ASSUREZ-VOUS QUE L'ÉQUIPEMENT N'EST PAS MIS EN PLACE AVEC UNE HUMIDITÉ EXCESSIVE.

7. INSTALLATION

AVERTISSEMENTS	PRECAUTION DE SECURITÉ
	AFIN D'ASSURER LE FONCTIONNEMENT CORRECT DE L'INSTALLATION ET DE SES DISPOSITIFS DE SECURITÉ, LA POMPE DOIT ETRE INSTALLÉE PAR DU PERSONNEL QUALIFIÉ.
	LA CONFIGURATION ORIGINALE DE LA POMPE NE DOIT ABSOLUMENT PAS ETRE MODIFIÉE.
	CONNECTER CORRECTEMENT À LA TERRE LA POMPE ET LE PISTOLET, À TRAVERS LE TUYAU PEINTURE CONDUCTEUR ET LE CÂBLE DE TERRE FOURNI AVEC LA POMPE.
	VERIFIER LE SERRAGE CORRECT DE TOUS LES RACCORDS, CAR TOUTE OUVERTURE SOUDAINNE POURRAIT CAUSER DE GRAVES BLESSURES AU PERSONNEL PREPOSE AU VERNISSAGE.
	LIRE ATTENTIVEMENT ET RESPECTER LES AVERTISSEMENTS DE SECURITÉ DU MANUEL D'INSTRUCTIONS DES PISTOLET A UTILISER. ICON-M233N: MSGS-200 / ICON-A233N: ALG7 TE
	AVANT D'INSTALLER LA POMPE REGLER LE REGULATEUR DE L'AIR ET DU PRODUIT À 0 BAR.
	LES PARTIES MOBILES DE LA POMPE POURRAIENT AMPUTER LES DOIGTS OU BLESER GRAVEMENT LE CORPS HUMAIN. PENDANT L'EMPLOI DE LA POMPE, IL EST STRICTEMENT INTERDIT, DE OUVRIR LES PROTECTIONS DE SÉCURITÉ OU INTRODUIRE LES DOIGTS À L'INTÉRIEUR DE L'APPAREILLAGE.

7.1 INSTALLATION DE LA VERSION Multi Spray ICON-M233N

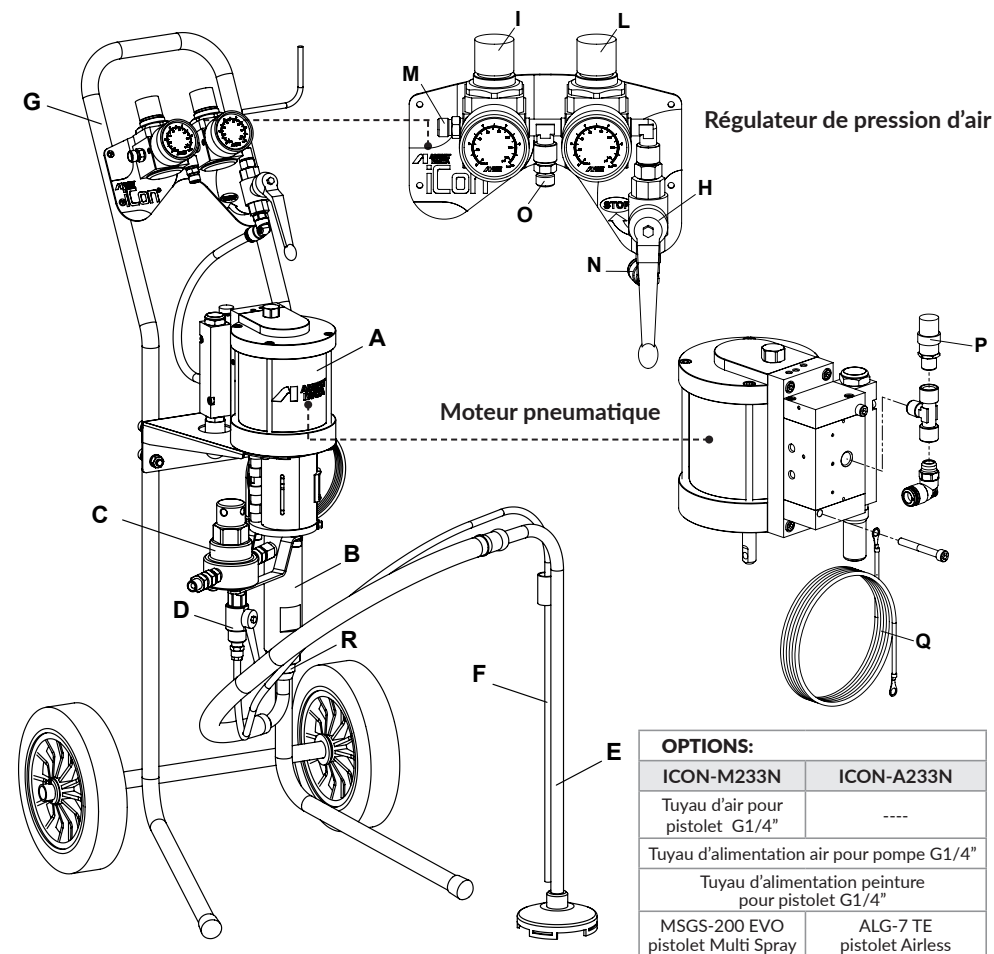
IMPORTANT: reportez-vous à la page suivante pour la liste des pièces détachées de la configuration du système.

1. Positionner l'appareillage sur une surface plate horizontale.
2. Connecter solidement le tuyau d'aspiration de la peinture (E) ou le godet gravité (de 6lt.) au raccord d'entrée de la peinture de la pompe et le tuyau de recirculation (F) à la soupape de décharge (D).
3. Connecter le tuyau jumelé de la peinture et de l'air au raccord d'alimentation de la peinture placé sur le filtre peinture en refoulement (C) et au raccord d'alimentation air du régulateur air (M).
4. Connecter correctement à la terre l'extrémité libre du câble de terre (Q).
5. Connecter le pistolet Multi Spray aux extrémités correspondantes de l'air et de la peinture du tuyau jumelé.
6. Connecter le tuyau d'alimentation de l'air (O) au raccord d'alimentation en air de la pompe.

7.2 INSTALLATION DE LA VERSION Airless ICON-A233N

1. Positionner l'appareillage sur une surface plate horizontale.
2. Connecter solidement le tuyau d'aspiration de la peinture (E) ou le godet gravité (de 6lt.) au raccord d'entrée de la peinture de la pompe et le tuyau de recirculation (F) à la soupape de décharge (D).
3. Connecter le tuyau de la peinture au raccord d'alimentation de la peinture, placé sur le filtre peinture en refoulement (C).
4. Connecter correctement à la terre l'extrémité libre du câble de terre (Q).
5. Connecter le tuyau d'alimentation de la peinture au raccord d'entrée du pistolet Airless.
6. Connecter le tuyau d'alimentation de l'air (O) au raccord d'alimentation en air de la pompe.

7.3 CONFIGURATION de l'APPAREILLAGE



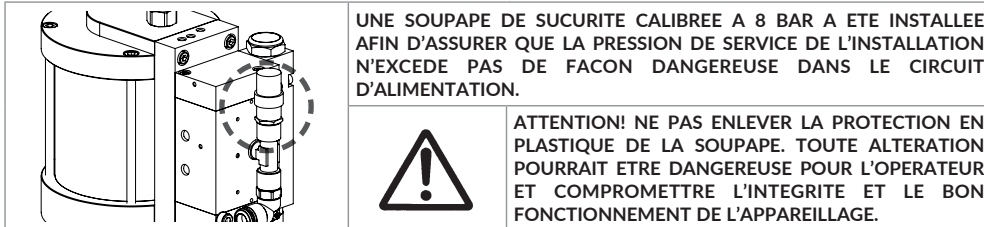
CONFIGURATION PRINCIPALE

A	Moteur pneumatique	UNITÉ DE POMPAGE		I	Régulateur pression air (pistolet)
B	Tige pompe			L	Régulateur pression air (pompe)
C	Filtre peinture en refoulement TF-1S (100 mesh)			M	Raccord d'alimentation air au pistolet
D	Vanne de décharge			N	Raccord d'alimentation air à la pompe
E	Canne d'aspiration	50 mesh	G1/2"	O	Raccord d'entrée d'air
F	Tuyau de recirculation 1.7 m - ø 6 x 8			P	Soupape de sûreté.
G	Cart à roulette			Q	Câble de terre 1.6m (cosse de câble ø 6.5)
H	Vanne pour l'arrêt d'urgence			R	Raccord d'entrée peinture

8. SYSTEMES DE SÛRETÉ

Plusieurs systèmes de sécurité ont été conçus pendant le projet et la production de l'unité Airless et Multi Spray afin de sauvegarder l'opérateur, conformément à la Directive EN 12621:2010 sur la peinture.

8.1 SOUPAPE DE SÛRETÉ

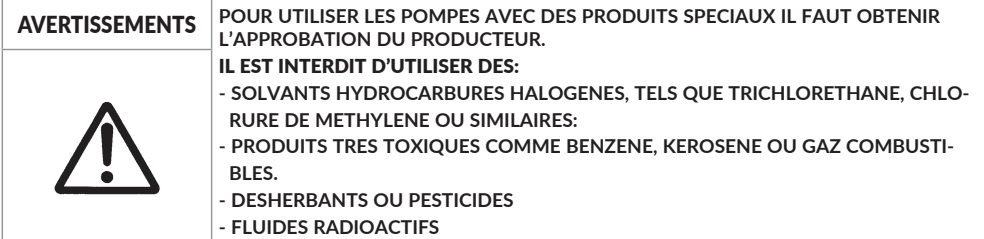


8.2 VANNE PUOR L'ARRÊT D'URGENCE

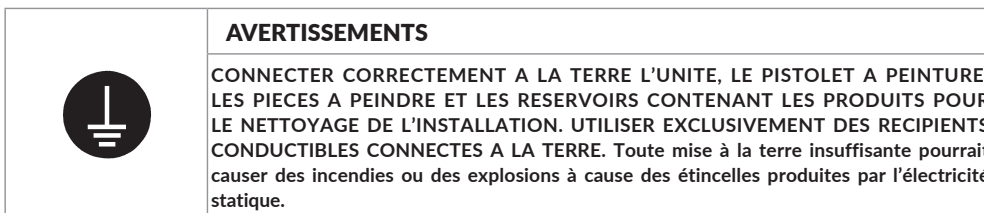


9. PRODUITS USINABLES

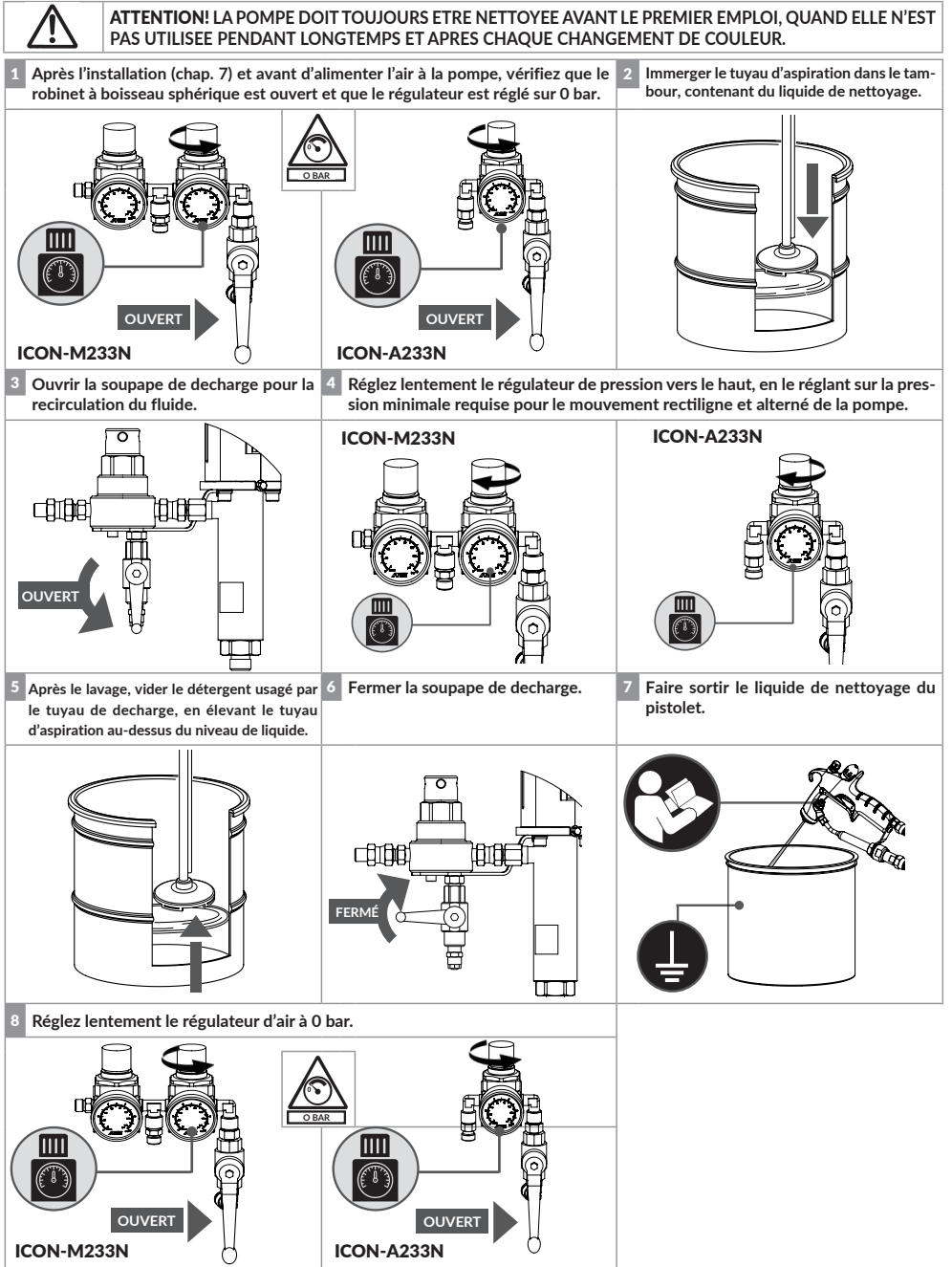
LES POMPES ICON ANEST IWATA SONT CONCUES POUR LE VERNISSAGE DE MATERIEL FERREUX EN GENERAL, BOIS ET PLASTIQUES.



10. EMPLOI



10.1 OPERATIONS DE NETTOYAGE AVANT L'EMPLOI

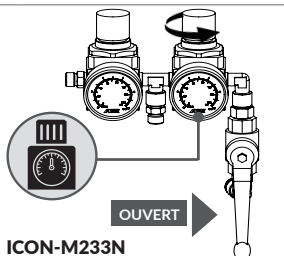


10.2 EMPLOI

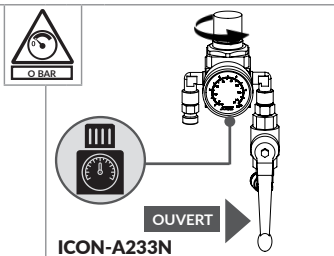


AVANT D'EMPLOYER L'INSTALLATION IL FAUT TOUJOURS LIRE ET RESPECTER SCRUPULEUSEMENT TOUTS LES AVERTISSEMENTS CONTENUS DANS LE MANUEL D'INSTRUCTIONS DU PISTOLET A UTILISER. MSGS-200 EVO (Multi Spray) ou ALG-7 TE (Airless).

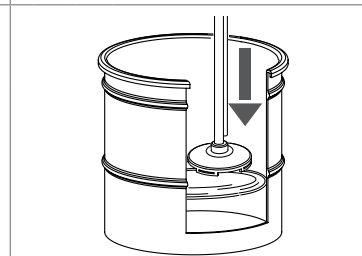
- 1 Après le nettoyage (10.1) et avant d'alimenter la pompe en air, vérifiez que le robinet à boisseau sphérique est ouvert et que le régulateur d'air est réglé sur 0 bar. 2 Immerger le tuyau d'aspiration dans le tambour, contenant la peinture.



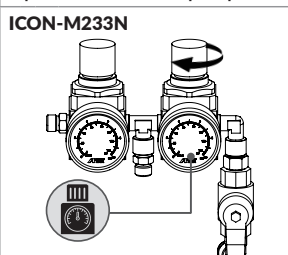
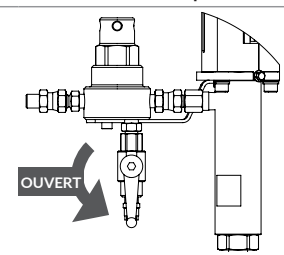
iCon-M233N



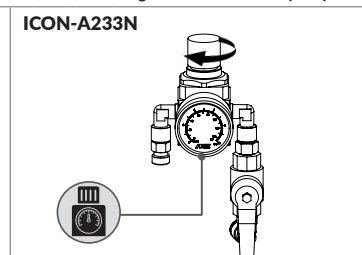
iCon-A233N



- 3 Ouvrir la soupape de décharge pour la recirculation de la peinture. 4 Réglez graduellement le régulateur de pression vers le haut, en le réglant sur la pression minimale requise pour le mouvement rectiligne et alterné de la pompe.

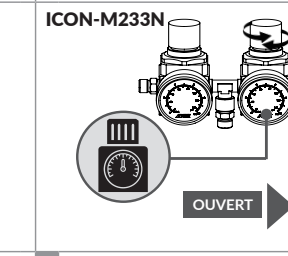
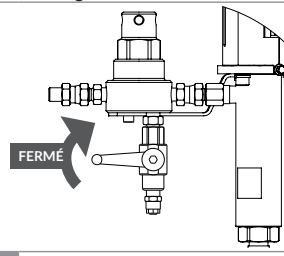


iCon-M233N

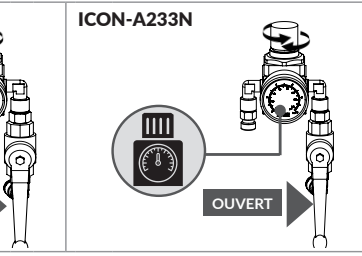


iCon-A233N

- 5 S'assurer que la peinture sorte du tuyau de recirculation, ensuite fermer la soupape de décharge. 6 Réglez le régulateur de pression de l'air afin d'obtenir la pression de service du matériel la plus adéquate à ses exigences.

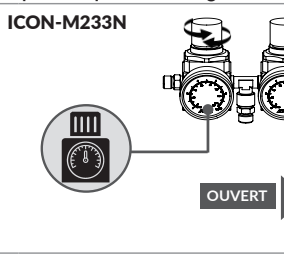


iCon-M233N

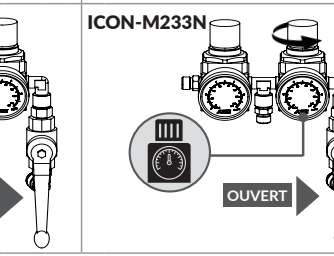


iCon-A233N

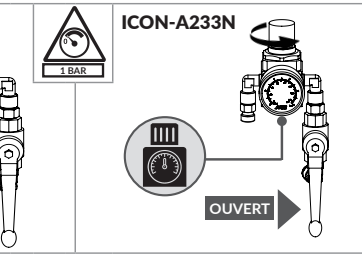
- 7 Réglez le régulateur de pression de l'air afin d'obtenir la pression air d'atomisation, la plus adéquate à ses exigences. 8 Après avoir terminé les opérations de peinture, réglez le régulateur de pression d'air de la pompe sous 1 bar, puis répétez les instructions du point 5 au point 8 à la page 53.



iCon-M233N



iCon-M233N



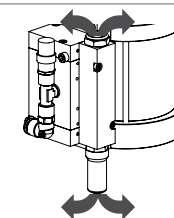
iCon-A233N

AVERTISSEMENTS



PENDANT LE FONCTIONNEMENT, LA POMPE DÉCHARGE DE L'AIR DES SILENCIEUX.

NE TOUCHEZ PAS LE BLOC D'ÉCHAPPEMENT LORSQUE LE SYSTÈME EST EN FONCTIONNEMENT.



10.3 SCHEMA DE CROISSANCE DE LA PRESSION DU FLUIDE

Modèle	Rapport	Réglage de régulateur d'air	Croissance de la pression du fluide
iCON-M233N	30:1	0.3MPa (3bar - 43.5psi)	9.0MPa (90bar - 1305psi)
		0.5MPa (5bar - 72.5psi)	15.0MPa (150bar - 2175psi)
iCON-A233N		0.7MPa (7bar - 100psi)	21.0MPa (210bar - 3045psi)

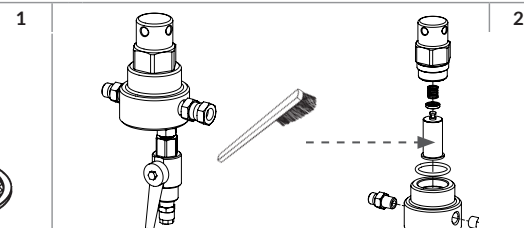
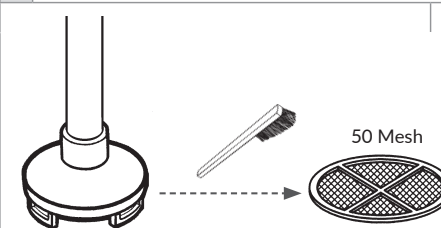
11. ENTRETIEN ORDINAIRE

11.1 ENTRETIEN QUOTIDIENNE

- 1 NETTOYER TOUJOURS LA POMPE après chaque emploi et après chaque changement de couleur.
- 2 VERIFIER L'ABSENCE DES fuites D'AIR OU DE PEINTURE: Contrôler que les tuyaux ne soient pas endommagés et que toutes les sections filetées des raccords soient bien scellées. Remplacer immédiatement en cas d'anomalies éventuelles.

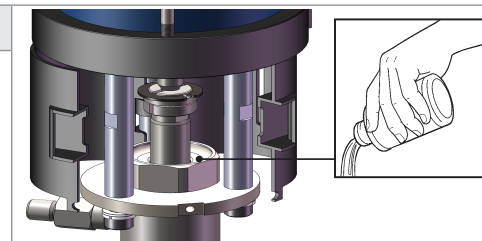
11.2 ENTRETIEN MENSUELLE

- 1 CONTROLER LE FILTRE DU TUYAU D'ASPIRATION: vérifier l'absence d'obstructions ou d'endommagement de ce dernier. Si nécessaire, nettoyer ou remplacer.
- 2 CONTROLER LE FILTRE PEINTURE EN REFOULEMENT (TF-1S): vérifier l'absence d'obstructions ou d'endommagement de ce dernier. Si nécessaire, nettoyer ou remplacer.

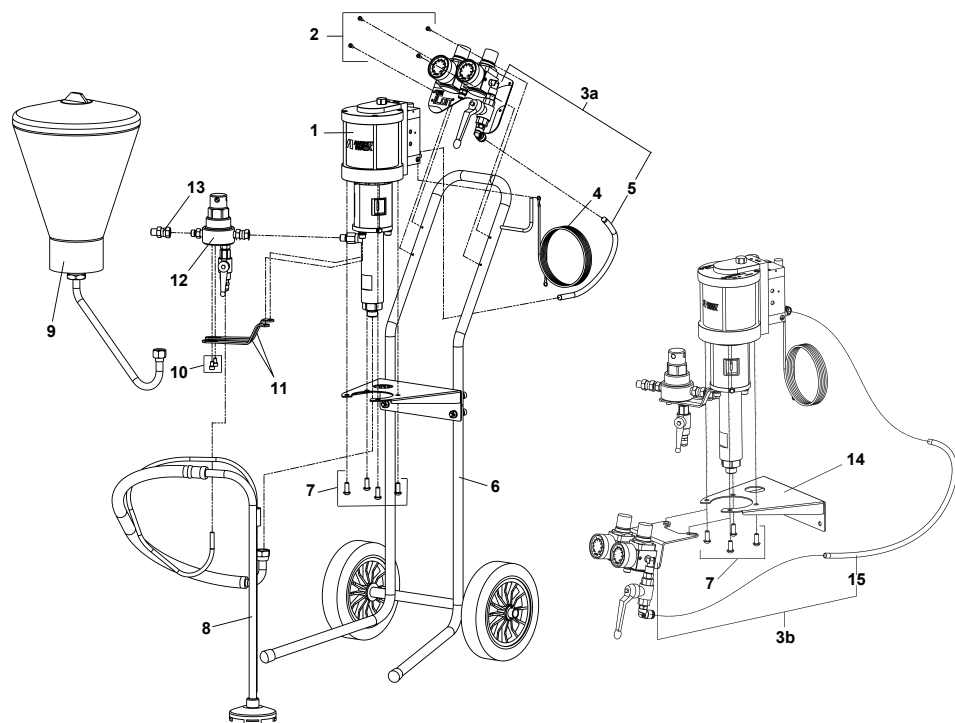


IMPORTANT!

LA POMPE ICON X3 A ÉTÉ CONÇUE POUR TRAVAILLER AVEC DES PEINTURES SANS BESOIN DE LUBRIFIANT. TOUTEFOIS, EN CAS D'UTILISATION INTENSE, IL EST RECOMMANDÉ D'AJOUTER LE LUBRIFIANT ANEST IWATA (94445770 - NON INCLUS) DANS LA COUPE D'ENREGISTREMENT POUR PROLONGER LA DURÉE DES JOINTS.

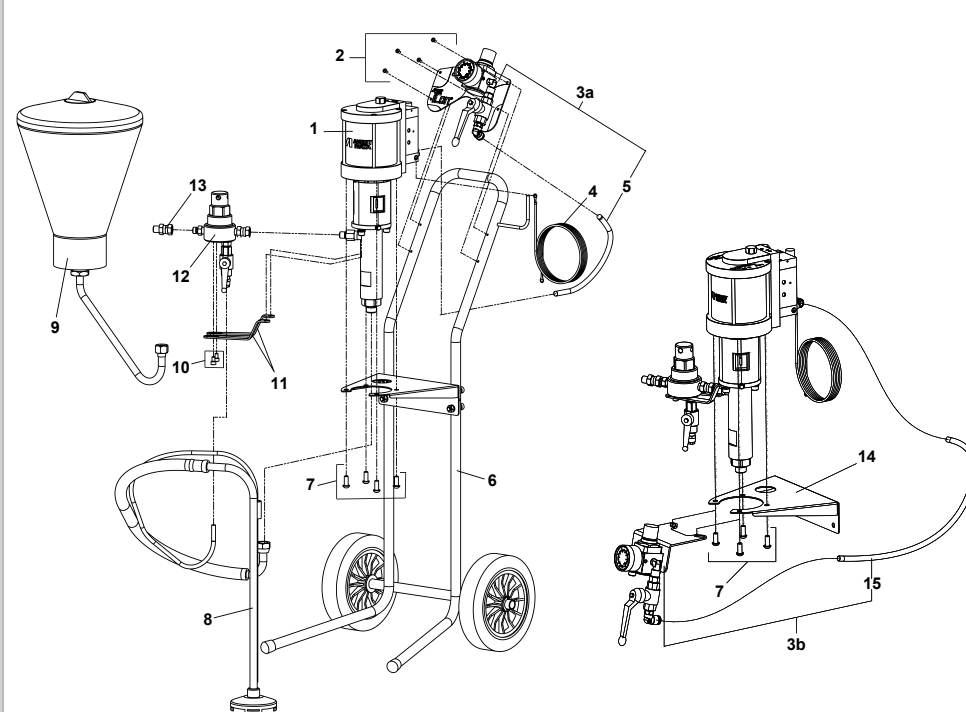


12. CONFIGURATION Icon X3 Version MULTI SPRAY



Rep.	Code	Désignation
1	-	POMPE COMPLÈTE (PP-3025N)
2	94444790	VIS A SIX PANS CREUX (4 pcs.)
3a	940188A0	RÉGULATEUR D'AIR pour le Modèle assemblé sur CART À ROULETTE
3b	940189A0	RÉGULATEUR D'AIR pour le Modèle assemblé sur ÉQUERRE MURALE
4	ME100001	CÂBLE DE TERRE
5	940157A0	TUYAU AIR 0,3 m (pour version sur CART À ROULETTE)
6	940085A0	CART À ROULETTE
7	960055A0	ENSEMBLE VIS À TÊTE PLATE AVEC DOUILLE HEXAGONALE M8x20 (4 pcs.)
8	0101010000	CANNE D'ASPIRATION AVEC FILTRE (50 Mesh)
9	04005510	GODET GRAVITÉ (6 lt.)
10	960056A0	ENSEMBLE VIS DE FIXATION M6x10 (2 pcs.)
11	940052A0	ÉQUERRE FILTRE
12	140002A0	FILTRE DE PEINTURE EN REFOULEMENT TF-1S
13	94006030	ADAPTATEUR G1/4"F - NPSM 1/4"M
14	940192A0	ÉQUERRE MURALE
15	940060A0	TUYAU AIR 0,5 m (pour version sur ÉQUERRE MURALE)

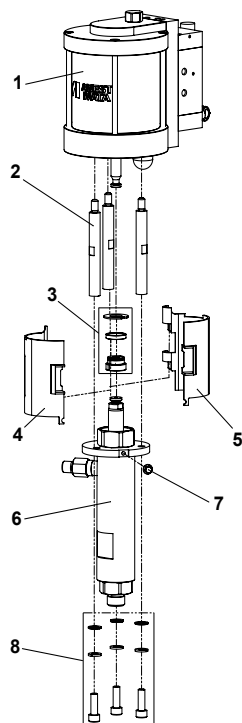
12. CONFIGURATION Icon X3 Version AIRLESS



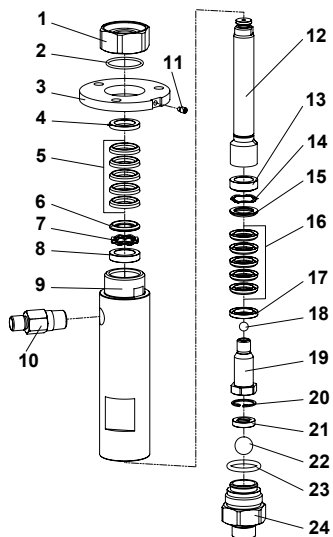
Rep.	Code	Désignation
1	-	POMPE COMPLÈTE (PP-3025N)
2	94444790	VIS A SIX PANS CREUX (4 pcs.)
3a	940190A0	RÉGULATEUR D'AIR pour le Modèle assemblé sur CART À ROULETTE
3b	940191A0	RÉGULATEUR D'AIR pour le Modèle assemblé sur ÉQUERRE MURALE
4	ME100001	CÂBLE DE TERRE
5	940157A0	TUYAU AIR 0,3 m (pour version sur CART À ROULETTE)
6	940085A0	CART À ROULETTE
7	960055A0	ENSEMBLE VIS À TÊTE PLATE AVEC DOUILLE HEXAGONALE M8x20 (4 pcs.)
8	0101010000	CANNE D'ASPIRATION AVEC FILTRE (50 Mesh)
9	04005510	GODET GRAVITÉ (6 lt.)
10	960056A0	ENSEMBLE VIS DE FIXATION M6x10 (2 pcs.)
11	940052A0	ÉQUERRE FILTRE
12	140002A0	FILTRE DE PEINTURE EN REFOULEMENT TF-1S
13	94006030	ADAPTATEUR G1/4"F - NPSM 1/4"M
14	940192A0	ÉQUERRE MURALE
15	940060A0	TUYAU AIR 0,5 m (pour version sur ÉQUERRE MURALE)

12.1 POMPE COMPLÈTE NUE

Rep.	Code	Désignation
1	940000A0	MOTEUR AIR COMPLET
2	940036A0	ENTRETOISE
3	940193A0	ACCOUPEMENT
4	940093A0	CAPOT DE PROTECTION (GAUCHE)
5	940094A0	CAPOT DE PROTECTION (DROIT)
6	940014A0	BAS DE POMPE
7	960047A0	VIS À DOUILLE HEXAGONALE M5x12
8	940170A0	ENSEMBLE VIS + RONDELLES (3+3+3 pcs.)



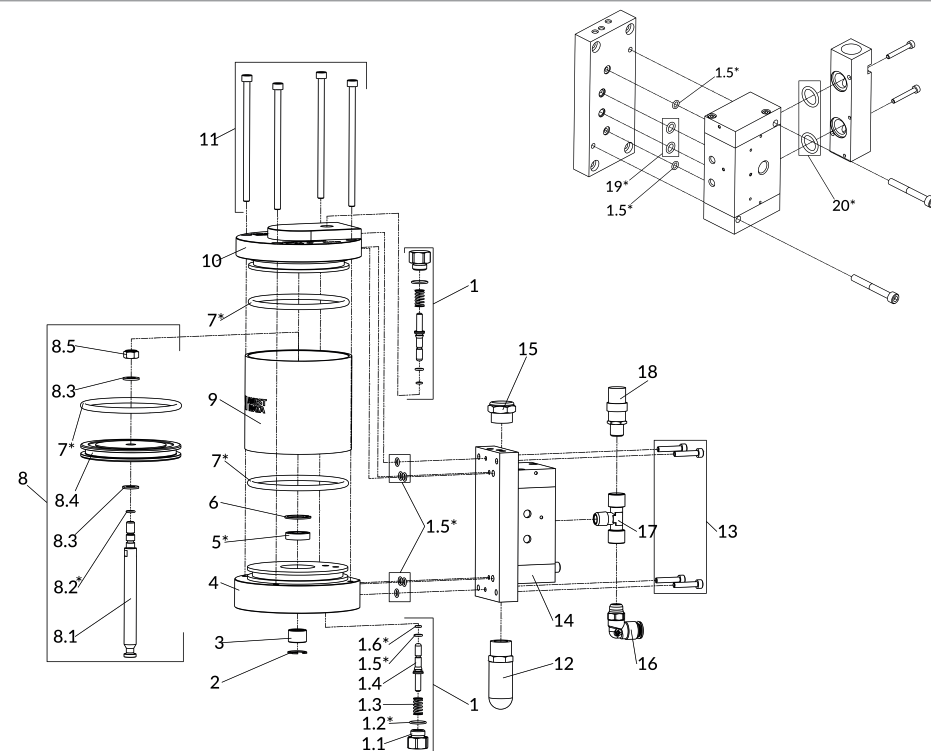
12.2 BAS DE POMPE



Rep.	Code	Désignation
1	940031A0	COUPE DE RÉGLAGE
2	960011A0	JOINT TORIQUE 2.0-29.5
3	940112A0	BRIDE
4	940126A0	ADAPTATEUR SUPÉRIEUR à "V" (Femelle)
5	940069A0	KIT DE JOINTS SUPÉRIEURS à "V" (3 PE + 2 PTFE)
6	940123A0	ADAPTATEUR SUPÉRIEUR à "V" (Mâle)
7	940122A0	RESSORT DE VAGUE Crête-à-Crête
8	940121A0	APPUI DE RESSORT

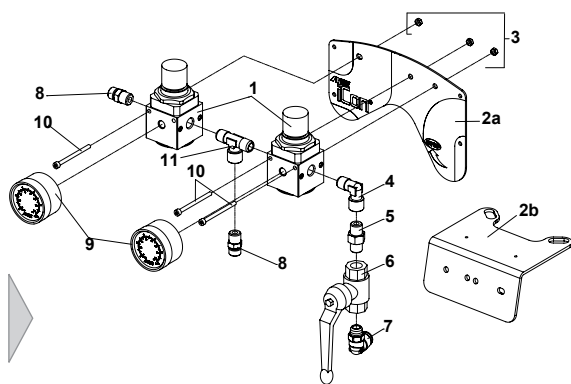
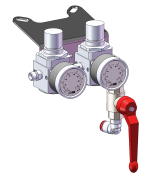
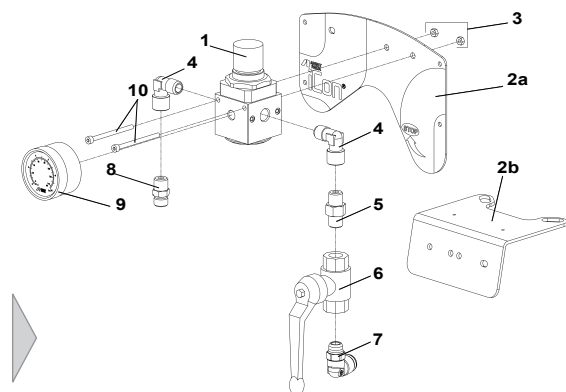
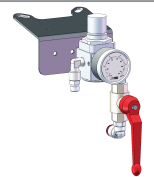
Rep.	Code	Désignation
9	940015A0	CYLINDRE PRODUIT
10	940032A0	RACCORD PRODUIT
11	960040A0	BOUCHON
12	940166A0	PISTON
13	940127A0	SIÈGE DE RESSORT
14	940128A0	RESSORT NICHÉ DE VAGUE
15	940129A0	ADAPTATEUR INFÉRIEUR à "V" (Mâle)
16	940070A0	KIT DE JOINTS INFÉRIEURS à "V" (3 PE + 2 PTFE)
17	940132A0	ADAPTATEUR INFÉRIEUR à "V" (Femelle)
18	06662025	BILLE 5/16"
19	940021A0	VANNE SUPÉRIEURE
20	960014A0	CIRCLIP 20
21	04944770	JOINT DE VANNE
22	06662050	BILLE 5/8"
23	960015A0	JOINT TORIQUE 3.53-23.39
24	940033A0	VANNE INFÉRIEURE

12.3 MOTEUR PNEUMATIQUE



Rep.	Code	Désignation	Rep.	Code	Désignation
1	940073A0	VALVE DE PILOTAGE	8.3	06363080	RONDELLE
1.1	940007A0	BOUCHON	8.4	940004A0	PISTON
1.2*	96997009	JOINT TORIQUE \varnothing 1.5-13.5	8.5	960003A0	ÉCROU AUTOBLOQUANT
1.3	940006A0	RESSORT	9	940008A0	CYLINDRE
1.4	940005A0	PISTON	10	940010A0	MODULE SUPÉRIEUR
1.5*	96997003	JOINT TORIQUE \varnothing 1,5-5,5	11	960006A0	VIS DE FIXATION À PRISE HEXAGONALE M6x120 (4 pcs.)
1.6*	96997012	JOINT TORIQUE \varnothing 1.5-3.5	12	960010A0	SILENCIEUX D'ÉCHAPPEMENT
2	960000A0	CIRCLIP 18	13	96350525	VIS DE FIXATION À PRISE HEXAGONALE M5x25 (4 pcs.)
3	940002A0	DOUILLE	14	940174A0	DISTRIBUTEUR D'AIR
4	940001A0	MODULE INFÉRIEUR	15	04447820	FILTRE D'ÉCHAPPEMENT
5*	960001A0	JOINT EN "U"	16	UL300309	RACCORD COUDE
6	960002A0	CIRCLIP 24	17	UL30030000	RACCORD À "T"
7*	960004A0	CIRCLIP \varnothing 5.33-89.69	18	UL30036000	SOUPAPE DE SÛRETÉ
8	940065A0	ENSEMBLE AXE MOTEUR	19*	060031A0	JOINT TORIQUE \varnothing 1.78 - 7.65
8.1	940159A0	AXE MOTEUR	20*	060008A0	JOINT TORIQUE \varnothing 2.62 - 15.54
8.2*	960052A0	JOINT TORIQUE \varnothing 1.5-6	(*)	940072A0	KIT JOINTS TORIQUE MOTEUR & DISTRIBUTEUR D'AIR

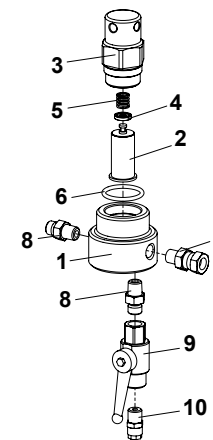
12.4 ENSEMBLE REGULATEURS D'AIR

REGULATEUR D'AIR pour
les Versions Multi SprayVERSION sur
CART À ROULETTEVERSION sur
ÉQUERRE MURALEREGULATEUR D'AIR pour
les Versions AirlessVERSION sur
CART À ROULETTEVERSION sur
ÉQUERRE MURALE

Rep.	Code	Désignation	qté	
			M233N	A233N
1	UI00070001	REGULATEUR D'AIR	2	1
2a	940156A0	PLAQUE RÉGULATEUR D'AIR (pour version sur Cart à Roulettes)	1	1
2b	UL00005201	PLAQUE RÉGULATEUR D'AIR (pour version sur Équerre Murale)	1	1
3	UL300700	ÉCROU HEXAGONALE M4	3	2
4	UL300201	RACCORD À "L"	1	2
5	UL300101	RACCORD	1	1
6	UL30034901	VANNE À DEUX VOIES	1	1
7	UL300309	RACCORD COUDE	1	1
8	UL30010501	RACCORD SPÉCIAL R1/4" - G1/4"	2	1
9	02004003	MANOMÈTRE (bar - psi)	2	1
10	06350455	VIS DE FIXATION À PRISE HEXAGONALE M4x55	3	2
11	UL300303	RACCORD À "T"	1	0

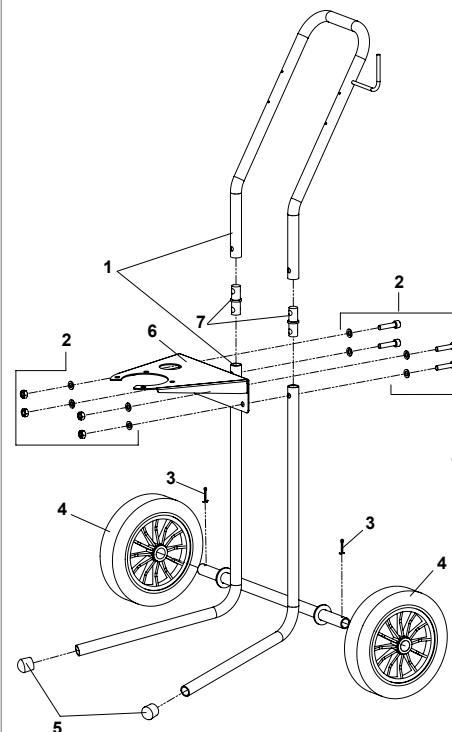
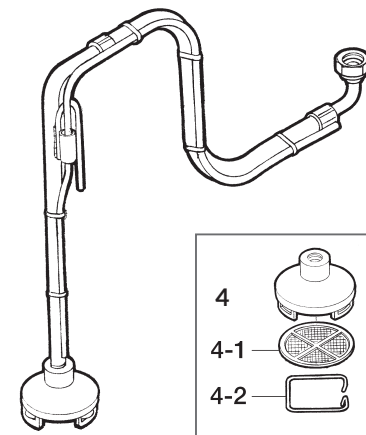
12.5 FILTRE PEINTURE EN REFOULEMENT TF-1S

Rep.	Code	Désignation
1	940053A0	CORPS de FILTRE
2	VFM2704	FILTRE 100 MESH
3	940054A0	CYLINDRE
4	940055A0	APPUI DE RESSORT
5	940056A0	RESSORT
6	960021A0	JOINT TORIQUE 3.53-32.92
7	96859022	RACCORD TOURNANT R1/4"M - G1/4"F
8	UL300462	RACCORD G1/4" - R1/4"
9	UL30090100	VANNE DE DÉCHARGE À DEUX VOIES
10	UL300302	RACCORD TUYAU



12.6 ENSEMBLE CANNE D'ASPIRATION

Rep.	Code	Désignation
4	UL10000701	TAMIS
4-1	0040720100	FILTRE 50 MESH
4-2	00407203	RESSORT



12.7 CART À ROULETTES

Rep.	Code	Désignation
1	940113A0	CHASSIS
2	940169A0	VIS DE FIXATION + ECROUS + RONDELLES (4+4+8 pcs.)
3	UL300811	GOUPILLE
4	UL200001	ROUE
5	960019A0	CAPUCHONS EN CAOUTCHOUC
6	940192A0	ÉQUERRE MURALE
7	940089A0	COUPLEUR

13. DEFAUTS DE FONCTIONNEMENT CAUSES ET REMEDES


INCONVÉNIENT	CAUSE	VÉRIFICATION	SOLUTION
1 La pression de l'air n'augmente pas.	a La vanne à deux voies du régulateur d'air n'est pas en position correcte.	a Vérifier que la vanne à deux voies soit en position correcte.	a Placer la vanne à deux voies du régulateur en la position correcte.
	b Le régulateur de l'air n'est pas ouvert.	b Vérifier le fonctionnement correct du régulateur d'air.	b S'il est fermé, l'ouvrir. S'il est endommagé, le remplacer.
	c La pression de l'air est insuffisante.	c Vérifier le fonctionnement correct du manomètre du régulateur d'air.	c Si vous constatez que le compresseur ne fournit pas une pression suffisante de l'air, le remplacer avec un compresseur avec une capacité supérieure.
2 La peinture ne sort pas du pistolet.	a Le filtre peinture ou le circuit de la peinture est obstrué.	a En ouvrant la vanne de décharge la peinture ne sort pas.	a Le circuit de la peinture est bloqué de l'entrée de la pompe jusqu'au raccord du tuyau du matériel. Vérifier le circuit de la peinture et éliminer le matériel qui obstrue le passage.
		a1 En ouvrant a vanne de décharge la peinture sort régulièrement, mais en appuyant sur la gâchette du pistolet elle ne sort pas	a1 Le parcours de la peinture est bloqué de l'entrée de la pompe du tuyau du matériel à la buse du pistolet. Vérifier le point d'obstruction et éliminer l'obstruction du filtre du pistolet. *Se référer au manuel du pistolet utilisé pour résoudre le problème.
	b Buse obstruée.	b Enlever la buse et appuyer sur la gâchette du pistolet. Si la peinture sort, cela signifie que la buse est obstruée.	b *Se référer au manuel du pistolet utilisé pour résoudre le problème.
	c Arrêt de sécurité coincé.		c Débloquer l'arrêt de sécurité.
3 La pompe ne marche pas.	a L'air n'alimente pas la pompe.	a Vérifier le tuyau d'alimentation de l'air de la pompe.	a Le remplacer s'il est endommagé ou obstrué.
	b La pompe a un problème technique.	b Séparer le moteur pneumatique du groupe de pompage et le tester avec un autre tuyau de l'air.	b Si le moteur fonctionne correctement, suivre les indications sur les remèdes données au point 2 (a-b)
			c Si le moteur ne fonctionne pas correctement, désassembler le cylindre et l'examiner. c En cas d'anomalies particulières, l'envoyer à notre service d'Assistance Technique.
4 La pompe ne s'arrête pas.	a De l'air est entrée dans les passages de la peinture.	a S'assurer que la canne d'aspiration soit connecté correctement.	a Serrer le raccord de la canne d'aspiration.

13. DEFAUTS DE FONCTIONNEMENT CAUSES ET REMEDES


INCONVÉNIENT	CAUSE	VÉRIFICATION	SOLUTION
4 La pompe ne s'arrête pas.	b L'air reste dans les passages de la peinture.	b Vérifier que la peinture soit en bon état et que la canne d'aspiration soit complètement immergé dans le produit à pomper.	b Si la peinture est en conditions normales, en augmenter le niveau jusqu'à ce qu'elle n'ait pas au moins submergé le tube plongeur. Ensuite suivre les opérations de démarrage qui concernent la décharge de l'air dans les passages de la peinture.
	c Les sièges et les billes (à l'intérieur de la tige de la pompe) sont sales ou endommagés.	c Désassembler la tige de la pompe et vérifier les conditions des sièges et des billes.	c Les nettoyer s'ils étaient incrustés de résidus de peinture solidifiée, sinon les remplacer s'ils étaient irréparablement endommagés.
	d Les joints en "V" (à l'intérieur de la tige de la pompe) sont sales ou endommagés.	d Désassembler la tige de la pompe et vérifier les conditions des joints en "V".	d Les nettoyer s'ils étaient incrustés de résidus de peinture solidifiée, sinon les remplacer s'ils étaient irréparablement endommagés.
	e Fuites des passages de la peinture. f La vanne de décharge n'est pas fermée.	e Inspecter tous les passages de la peinture.	e En cas de fuites, les éliminer. f Fermer la vanne de décharge.
5 Le jet change continuellement de dimension.	a Les joints en "V" (à l'intérieur de la tige de la pompe) sont sales ou endommagés.	a Désassembler la tige de la pompe et vérifier les conditions des joints en "V".	a Les nettoyer s'ils étaient incrustés de résidus de peinture solidifiée, sinon les remplacer s'ils étaient irréparablement endommagés.
	b Les sièges et les billes (à l'intérieur de la tige de la pompe) sont sales ou endommagés.	b Désassembler la tige de la pompe et vérifier les conditions des sièges et des billes.	b Les nettoyer s'ils étaient incrustés de résidus de peinture solidifiée, sinon les remplacer s'ils étaient irréparablement endommagés.
	c La buse du pistolet est usée. d Le filtre peinture du circuit de la peinture est obstrué.		c La remplacer. d Se référer au point (2 - a).
6 L'indicateur du manomètre indique la présence de pression même si le régulateur de l'air est fermé.	a Régulateur de l'air endommagé.		a Le remplacer.

Sehr geehrte Kundin, sehr geehrter Kunde,
danke, dass Sie unser Produkt bevorzugt haben. Wir freuen uns, Sie zu unseren Kunden zählen zu dürfen.
Wir hoffen, dass dieses Gerät Sie und Ihr Personal zufrieden stellen wird.

1. WICHTIGE INFORMATIONEN


WICHTIG	Dieses Handbuch ist integrierender Bestandteil der Anlage und ist vor jedem Verfahren, einschließlich Inbetriebsetzung, Einstellung, Wartung und Handhabung, mit Aufmerksamkeit zu lesen. Das vorliegende Handbuch soll an einem sicheren Ort für jede eventuelle künftige Verwendung aufbewahrt werden. Vergewissern Sie sich, alle im vorliegenden Handbuch enthaltenen Hinweise und Vorsichtsmaßnahmen immer zu befolgen. Andernfalls könnte eine Ausströmung von Lack mit hohem Druck stattfinden, welche Körperschaden durch die organischen Lösungsmittel verursachen könnte.
	
CE Ex II 2 G T6 X	<ul style="list-style-type: none"> Die Airless- und Multi-Spray-Einheiten ICon ANEST IWATA entsprechen der Richtlinie ATEX 2014/34/EU; Schutzniveau: II 2G T6 Gerätegruppe: II Kategorie: Gas 2G (zur Verwendung in Zonen 1 und 2 geeignet) Zone: Gas 1 Maximale Oberflächentemperatur: Temperaturklasse T6


BEFOLGEN SIE IMMER DIE IM VORLIEGENDEN HANDBUCH ENTHALTENEN HINWEISE UND VORSICHTSMASSNAHMEN

	HINWEISE	RISIKONIVEAU	FOLGEN
	ACHTUNG	POTENZIELL GEFÄHRLICHE LAGE	ERNSTE GEFAHREN FÜR GESUNDHEIT UND LEBEN

2. SICHERHEITSHINWEISE

	HINWEISE	BRAND- UND EXPLOSIONSGEFAHREN
		DAS VORHANDENSEIN VON FREIEN FLAMMEN UND DIE ERZEUGUNG VON FUNKEN IST STRENGSTENS VERBOTEN. Die Lacke können leicht entzündlich sein und deshalb Ursache von ernstesten Bränden werden. Vermeiden Sie bitte jede Aktion, wie z.B. rauchen, Funken erzeugen oder nicht geeignete Elektrogeräte verwenden, die Brände verursachen könnten.
		ERDEN SIE KORREKTERWEISE DIE EINHEIT MITTELS DES BEILIEGENDEN ERDUNGSKABELS: 1.6 m - hohler Kabelschuh ø 6.5. Elektrischer Widerstand: >1MΩ. Überprüfen Sie periodisch diesen Wert. Vergewissern Sie sich, dass die Pumpe, die Pistole, der zu lackierende Gegenstand und die Lack- bzw. Lösungsmittelbehälter korrekterweise geerdet sind. Eine unzureichende bzw. unzureichende Erdung könnte von statischer Elektrizität erzeugte Brände oder Explosionen verursachen.
		VERWENDEN SIE NIEMALS ALOGENIERTE KOHLENWASSERSTOFF-LÖSUNGSMITTEL, die Schäden und Schmelze von Aluminiumteilen wegen chemischer Reaktionen verursachen könnten. DIE FOLGENDEN LÖSUNGSMITTEL SIND INKOMPATIBEL: Methylchlorid, Dichlormethan, 1,2-Dichloroäthan, Kohlenstofftetrachlorid, Trichlorethen, 1.1.1-Trichloräthan. VERGEWISSERN SIE SICH, DASS ALLE MATERIALIEN UND LÖSUNGSMITTEL MIT ALLEN TEILEN DER ANLAGE KOMPATIBEL SIND. Die Firma kann Ihnen das Verzeichnis der Materialien des Produkts liefern.
	HINWEISE	GEFAHREN WEGEN MISSBRÄUCHLICHER VERWENDUNG
		RICHTEN SIE NIEMALS DIE PISTOLE AUF DEN KÖRPER VON MENSCHEN ODER TIEREN. DRÜCKEN SIE NIEMALS DEN ABZUG DER PISTOLE, WENN TEILE DES KÖRPERS BZW. FINGER IN DER NÄHE DER DÜSE SIND. Andernfalls könnten Augen, Haut oder Körper beschädigt werden. Sollten beliebige physische Störungen während der Arbeitsphasen erscheinen, konsultieren Sie sofort einen Arzt.
		ÜBERSCHREITEN SIE NIE DEN MAXIMALEN DRUCK ODER DIE MAXIMALE TEMPERATUR. Die Verwendung des Geräts auf einen höheren Druck als die Höchstgrenze könnte die Explosion der Pumpe und dadurch schwere Gefahren verursachen.
		VERGEWISSERN SIE SICH, DEN LUFT- UND MATERIALDRUCK VOR DEN REINIGUNGS-, ZERLEGUNGS- BZW. WARTUNGSVERFAHREN ABZULASSEN. Andernfalls könnte der Restdruck den Körper wegen falscher Verfahren oder Zerstreung von Reinigungsflüssigkeiten beschädigen. Zum Ablassen des Drucks schließen Sie zuerst die Luftzufuhr der Pumpe.

	HINWEISE	GESUNDHEITSGEFAHREN UND KÖRPERSCHUTZ
		VERWENDEN SIE DIE ANLAGE NUR IM LACKIERRAUM MIT EINER KORREKTEN LÜFTUNG. Eine unzureichende bzw. unzureichende Lüftung könnte eine Vergiftung wegen organischer Lösungsmittel oder Brände verursachen. Sollten beliebige physische Störungen während der Arbeitsphasen erscheinen, konsultieren Sie sofort einen Arzt.
   		TRAGEN SIE IMMER SCHUTZKLEIDER (Schutzbrille, Maske, Handschuhe). Andernfalls könnten die Reinigungsmittel Augen- und Hautentzündungen verursachen. Sollte auch nur eine kleine Gefahr von Augen- oder Hautschaden bestehen, konsultieren Sie sofort einen Arzt. Das Lärmniveau der Pistole ANEST IWATA überschreitet nicht den bewerteten Schalldruckpegel von 85 dB (A), der die Tages-Lärmexpositionsgefahr betrifft. Die Verwendung von persönlichen Gehörschutzvorrichtungen ist immer empfohlen, weil die Nutzungsbedingungen und der Einfluss anderer im Arbeitsbereich vorliegender Geräusche den zulässigen Durchschnittswert erhöhen könnten.
		VERGEWISSERN SIE SICH, DIE PUMPE IMMER ZUM STILLSTAND ZU BRINGEN, DEN LUFT- UND FLÜSSIGKEITSDRUCK AUF 0 BAR ZU SENKEN UND DEN STARTBLOCK DER PISTOLE VOR DER MONTAGE ODER ABMONTAGE DER DÜSE ZU BETÄTIGEN.
		Im Falle eines Not-Aus, wenn der Abstand zwischen der Pistole und der pumpenden Anlage ziemlich weit ist, wird es empfohlen, ein Kugelventil zur Unterbrechung des Austritts von Lack am Eintritt der Pistole zu installieren.
 		VERSUCHEN SIE NICHT, DIE LACKAUSSTRÖMUNG MIT DEN HÄNDEN ZU STOPPEN. Im Fall von Ausströmung bringen Sie die Pumpe sofort zum Stillstand und senken Sie den Druck auf 0 bar. Lack auf einen hohen Druck könnte schwere Körperschäden verursachen. Sollten beliebige physische Störungen während der Arbeitsphasen erscheinen, konsultieren Sie sofort einen Arzt.
		Die ständige Verwendung der Lackpistole, die mit einem langen Druck auf den Abzug der Pistole betätigt wird, könnte die Karpaltunnelsyndrom verursachen. IM FALL VON ANSTRENGUNG DER HAND UNTERBRECHEN SIE DIE LACKIERUNG FÜR EINE KURZE PAUSE.

HINWEISE	ANDERE VORSICHTSMASSNAHMEN
	VERÄNDERN SIE NIEMALS DIE ANLAGE. Andernfalls könnten Funktionsstörungen oder, in extremen Fällen, Explosionen vorkommen. BETRETEN SIE NIE DIE ARBEITSRÄUME DER GERÄTE IN BETRIEB (ROBOTER, BEWEGUNGSAUTOMATEN USW.), SOLANGE SIE NICHT DEAKTIVIERT WERDEN. Diese Maschinen in Bewegung könnten schwere Schäden verursachen. VERWENDEN SIE NIE DIE ANLAGE, UM LEBENS- ODER CHEMIEMITTEL ZU SPRÜHEN. Andernfalls könnten die in den Produkten enthaltenen Korrosionsmittel die Korrosion von Materialdurchflussvorrichtungen und dadurch schwere Gesundheitsgefahren und Anlageschäden verursachen. IM FALL VON FUNKTIONSTÖRUNGEN UNTERBRECHEN SIE SOFORT DAS LACKIERUNGSVERFAHREN, UM DEN SCHADEN ZU SUCHEN. Benutzen Sie nicht das Gerät, bevor das Problem gelöst wird. VERWENDEN SIE NIE BESTAND- ODER ERSATZTEILE, DIE NICHT ORIGINAL ANEST IWATA SIND.

HINWEISE	EXPLOSIONSGEFAHR DER LACKROHRLEITUNG
	VERWENDEN SIE NICHT RISSIGE, BESCHÄDIGTE, GEBOGENE ODER ZERDRÜCKTE ROHRLEITUNGEN. Der aus einem kleinen Loch auf hohem Druck ausströmende Lack könnte eine Eisenplatte durchlöchern und schwere Schäden verursachen. BIEGEN SIE NICHT DIE MATERIALROHRLEITUNGEN MIT EINEM NIEDRIGEREN RADIUS ALS DEM ERLAUBTEN. Kontaktieren Sie den Verkäufer oder unsere Firma, um den besten Krümmungsradius zu erfahren. Legen Sie keine schweren Gegenstände auf die Rohrleitungen, um Schäden zu vermeiden. Andernfalls könnten die Rohrleitungen explodieren und schwere Schäden verursachen.

3. BEZUGSHANDBÜCHER

Handbuchsnummer	Modell	Beschreibung
040057A0	ICON-M233N/ ICON-A233N	ICON Pumpe
W5MSG5	MSG5-200 EVO	Multi Spray Pistole
MJ T080-00	ALG-7 TE WB	Airless

EINHEITSKONFIGURATION iCon "MULTI SPRAY"

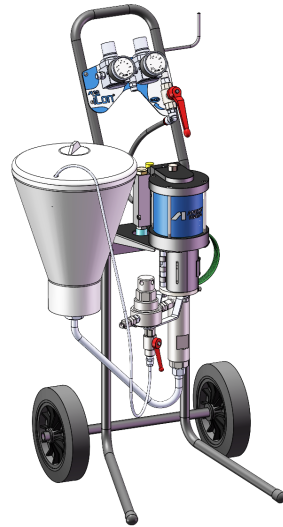
ICON M233N-S

Am **SCHLITTEN** montierte Pumpe-Einheit mit **ABSAUGROHRLEITUNG**
 2 Luftdruckregler (1 für die Pumpe und 1 für die Pistole)
 Lackzufuhrfilter TF-1S (100 mesh)
 Absaugrohrleitung mit Filter (50 mesh)
 Rückführrohr des Lackes
 Maß (LxWxH): 495 x 450 x 965 mm - Gewicht 16 Kg



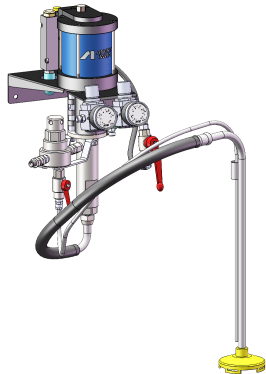
ICON M233N-H

Am **SCHLITTEN** montierte Pumpe-Einheit mit **TRICHTER**
 2 Luftdruckregler (1 für die Pumpe und 1 für die Pistole)
 Lackzufuhrfilter TF-1S (100 mesh)
 Trichter (6 lt.) mit Filter (50 mesh)
 Rückführrohr des Lackes
 Maß (LxWxH): 495 x 550 x 965 mm - Gewicht 16 Kg



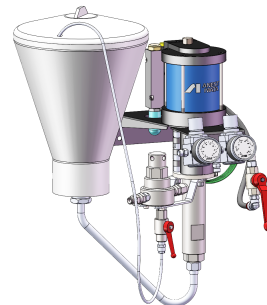
ICON M233N-SWM

Am **WANDBÜGEL** montierte Pumpe-Einheit mit **ABSAUGROHRLEITUNG**
 2 Luftdruckregler (1 für die Pumpe und 1 für die Pistole)
 Lackzufuhrfilter TF-1S (100 mesh)
 Absaugrohrleitung mit Filter (50 mesh)
 Rückführrohr des Lackes
 Maß (LxWxH): 380 x 320 x 515 mm - Gewicht 11Kg



ICON M233N-HWM

Am **WANDBÜGEL** montierte Pumpe-Einheit mit **TRICHTER**
 2 Luftdruckregler (1 für die Pumpe und 1 für die Pistole)
 Lackzufuhrfilter TF-1S (100 mesh)
 Trichter (6 lt.) mit Filter (50 mesh)
 Rückführrohr des Lackes
 Maß (LxWxH): 380 x 420 x 515 mm - Gewicht 11Kg



EINHEITSKONFIGURATION iCon "AIRLESS"

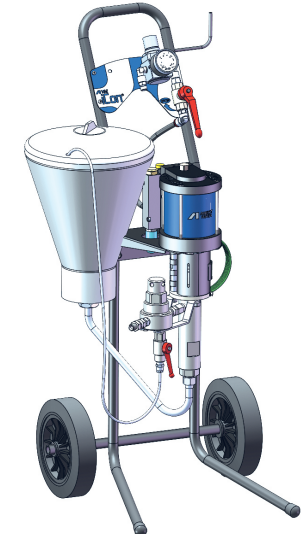
ICON A233N-S

Am **SCHLITTEN** montierte Pumpe-Einheit mit **ABSAUGROHRLEITUNG**
 Luftdruckregler
 Lackzufuhrfilter TF-1S (100 mesh)
 Absaugrohrleitung mit Filter (50 mesh)
 Rückführrohr des Lackes
 Maß (LxWxH): 495 x 450 x 965 mm - Gewicht 16 Kg



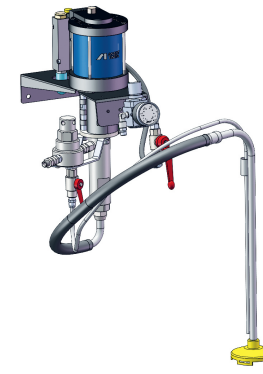
ICON A233N-H

Am **SCHLITTEN** montierte Pumpe-Einheit mit **TRICHTER**
 Luftdruckregler
 Lackzufuhrfilter TF-1S (100 mesh)
 Trichter (6 lt.) mit Filter (50 mesh)
 Rückführrohr des Lackes
 Maß (LxWxH): 495 x 550 x 965 mm - Gewicht 16 Kg



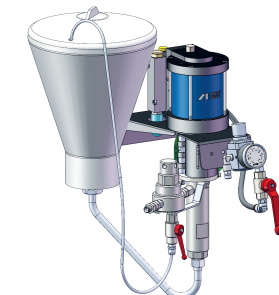
ICON A233N-SWM

Am **WANDBÜGEL** montierte Pumpe-Einheit mit **ABSAUGROHRLEITUNG**
 Luftdruckregler
 Lackzufuhrfilter TF-1S (100 mesh)
 Absaugrohrleitung mit Filter (50 mesh)
 Rückführrohr des Lackes
 Maß (LxWxH): 380 x 320 x 515 mm - Gewicht 11Kg



ICON A233N-HWM

Am **WANDBÜGEL** montierte Pumpe-Einheit mit **TRICHTER**
 Luftdruckregler
 Lackzufuhrfilter TF-1S (100 mesh)
 Trichter (6 lt.) mit Filter (50 mesh)
 Rückführrohr des Lackes
 Maß (LxWxH): 380 x 420 x 515 mm - Gewicht 11Kg

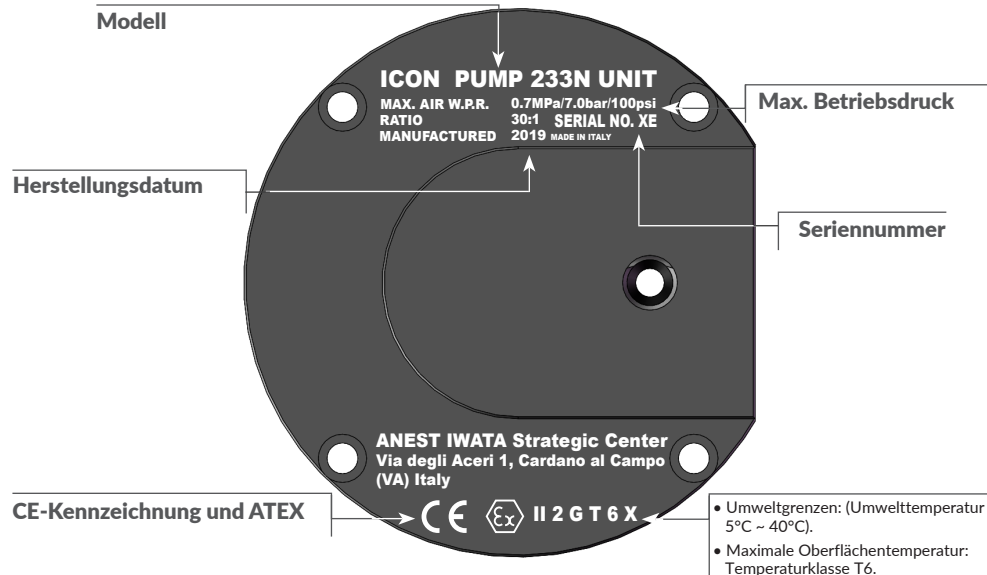


4. TECHNISCHE DATEN

VERSIONEN	ICON-M233N	ICON-A233N
Pumpeinheit:	PP-3025N	
Durchmesser des Motorzylinders:	100 mm	
Lackfilter:	Lackzufuhrfilter	TF-1S (100 Mesh)
	Absaugfilter	50 Mesh
Max. Betriebsdruck des Materials:	210 bar (21 MPa)	
Max. Eintrittsdruck der Luft:	7.0 bar (0.7 MPa)	
Druckverhältnis:	30:1	
Betriebstemperatur:	5°~40° C	
Lärmniveau:	84.7 dB(A)	
Luftverbrauch:	110 NI/min. a 30 cyc/min.	
Materialführung:	Max. Volumen pro Zyklus:	25 ml
	Max. Volumen/Minuten:	2.5 l/min.
Max. Nummer der Zyklen pro Minute:	100 cyc	
Material der Lackdurchflusvorrichtungen:	Lackfilter-Set:	Gehäuse: AISI303 - Filter: AISI304/Polyamid
	Absaugrohrleitung-Set:	Flexible Rohrleitung: Gummi mit harter Rohrleitung, Filter und Verbindungen: AISI304
	Pumpstange:	Hauptsächlich: AISI303 - PE - PTFE

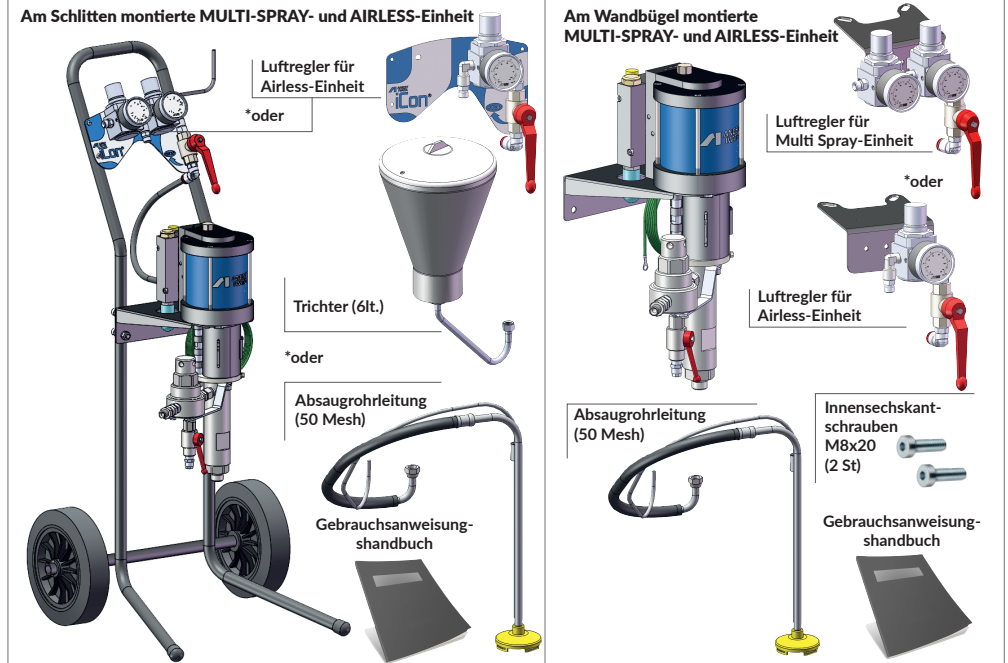
5. IDENTIFIKATION DES PRODUKTS

BETRIEBSDATEN: Auf allen Multi-Spray- und Airless-Einheiten befindet sich die Identifikationsdaten des Herstellers (siehe die Abbildung). Solche Informationen sollen auf keinen Fall entfernt werden, auch wenn das Gerät weiterverkauft werden sollte. Zitieren Sie bitte immer die Seriennummer auf der Pumpe, wenn Sie sich mit dem Hersteller in Verbindung setzen.



6. INHALT DER VERPACKUNG

⚠ Wenn Sie die Pumpe erhalten und bevor sie benutzt wird, überprüfen Sie bitte die Unversehrtheit des gekauften Produkts und das Vorhandensein der folgenden Serienbestandteile in der Verpackung.



6.1 TRANSPORT UND HANDLING

Zum Transport des Geräts ist es nicht möglich andere Systeme mit Ausnahme derjenigen, die unten angezeigt werden, zu benutzen. Auf jeden Fall überprüfen Sie, ob der Transport- und Hebemittel das Gewicht der Anlage mit der Verpackung tragen kann.

HINWEISE	HALTEN SIE DIE VERPACKUNG IN AUFRECHTER POSITION.
⚠	ES IST EMPFOHLEN, DASS DAS FÜR DIE LADUNGSHANDHABUNG VERANTWORTLICHE PERSONAL MIT SCHUTZHANDSCHUHEN UND SCHUTZSCHUHEN ARBEITEN.
	BEIM HEBEN ODER BEWEGEN DES GERÄTS ODER IRGENDWELCHES BESTANDTEILS RÄUMEN SIE DIE BETRIEBZONEN UND BERÜCKSICHTIGEN SIE AUCH EINE AUSREICHEND SICHERE ZONE DARUM, UM SCHÄDEN FÜR PERSONEN UND GEGENSTÄNDE, DIE SICH INNERHALB DES SPIELRAUMS BEFINDEN, ZU VERMEIDEN.

6.2 HANDLING UND LAGERUNG

DAS GERÄT WIRD KARTONVERPACKT UND MIT AUFPRALLSCHUTZMATERIAL EINGEHÜLLT.

HINWEISE	UM DIE VERPACKUNG ZU BEWEGEN, VERWENDEN SIE AUSSCHLIESSLICH EINEN HUBWAGEN.
⚠	VOR DER BEWEGUNG UND DER ÖFFNUNG DER VERPACKUNG FOLGEN SIE DIE ANWEISUNGEN DARAUFG.
	WÄHREND DES TRANSPORTS UND DER LAGERUNG VERGEWISSERN SIE SICH, DASS DIE TEMPERATUREN ZWISCHEN 0 UND 40° C SIND. FALLS DAS GERÄT EINGELAGERT WERDEN MUSS, VERGEWISSERN SIE SICH, DASS ES NICHT IN ÜBERMÄSSIG FEUCHTE RÄUME GESTELLT WIRD.

7. INSTALLATION

HINWEISE	SICHERHEITSVORSICHTMASSNAHMEN
	DIE PUMPE SOLL VOM GESCHULTEN PERSONAL INSTALLIERT WERDEN, UM DEN KORREKTEN BETRIEB DER ANLAGE UND DEREN VORRICHTUNGEN ZU SICHERN.
	DIE ORIGINALE KONFIGURATION DER PUMPE SOLL AUF KEINEN FALL VERÄNDERT WERDEN.
	ERDEN SIE KORREKTERWEISE DIE PUMPE UND DIE PISTOLE MITTELS EINER LEITENDEN ROHRLEITUNG UND DES MIT DER ANLAGE GELIEFERTEN ERDUNGSKABELS:
	ÜBERPRÜFEN SIE, OB ALLE VERBINDUNGEN GUT GESCHLOSSEN SIND. IHR PLÖTZLICHES ÖFFNEN KÖNNTE SCHWERE VERLETZUNGEN DES ZUR LACKIERUNG ZUSTÄNDIGEN PERSONALS VERURSACHEN.
	LESEN SIE BITTE MIT AUFMERKSAMKEIT UND BEACHTEN SIE DIE SICHERHEITSHINWEISE DES GEBRAUCHSANWEISUNGSHANDBUCHS DER ZU VERWENDENDEN PISTOLEN. ICON-M233N: MSGS-200 EVO / ICON-A233N: ALG7 TE
	VOR DER INSTALLATION DER PUMPE STELLEN SIE DEN LUFT- UND MATERIALREGLER AUF 0 BAR EIN.
	DIE BEWEGENDEN TEILE DER PUMPE KÖNNTEN DIE FINGER AMPUTIEREN ODER DEN KÖRPER ERNST VERLETZEN. WÄHREND DES PUMPENBETRIEBS IST ES UNBEDINGT VERBOTTEN, DIE SICHERHEITSSCHUTZVORRICHTUNGEN ZU ÖFFNEN ODER DIE FINGER DARIN EINZUSTECKEN.

7.1 INSTALLATION DER PUMPE ICON-M233N

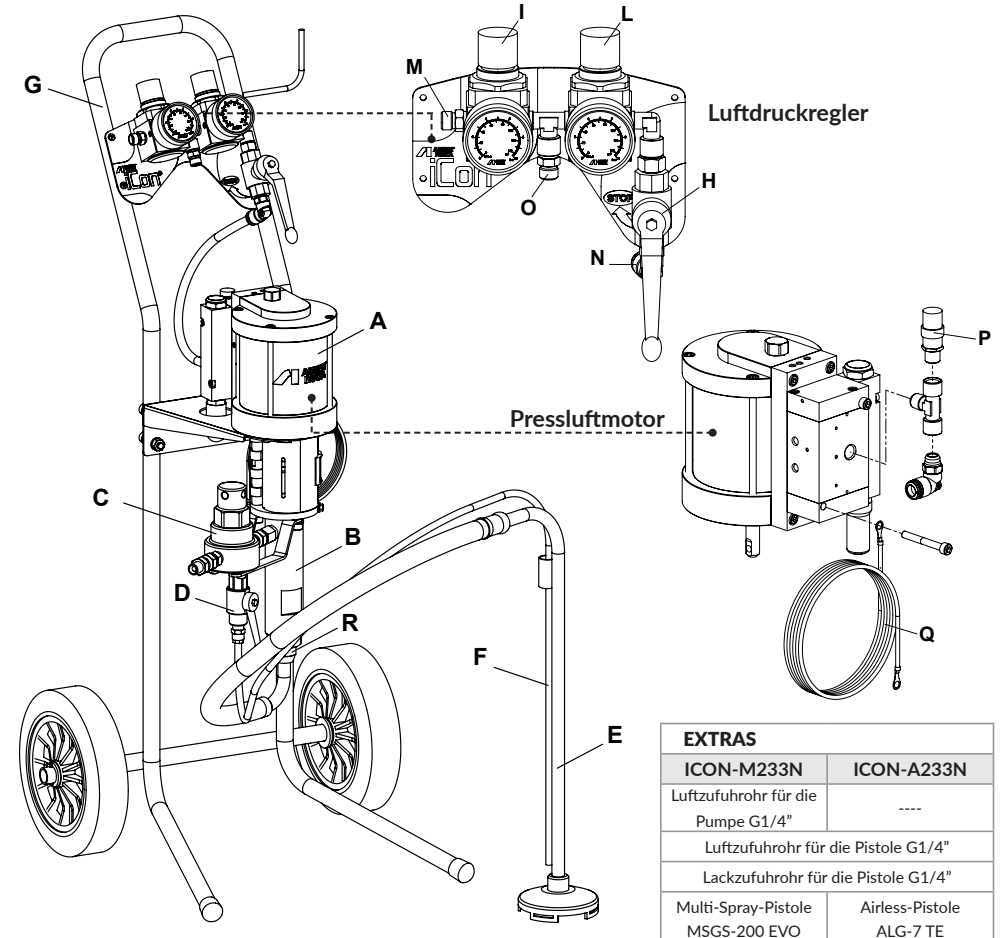
WICHTIG: beziehen Sie sich auf die folgende Seite, die die Liste der Teile zur Konfiguration der Anlage anzeigt.

1. Positionieren Sie die Anlage auf eine ebene horizontale Fläche.
2. Verbinden Sie fest das Lackabsaugrohr (E) oder den Trichter mit der Lackeingangsverbindung der Pumpe (R) und das Rückführrohr (F) mit dem Abflussventil (D).
3. Verbinden Sie die dublierte Rohrleitung des Lacks und der Luft mit der Lackzufuhrverbindung, die sich auf dem Lackzufuhrfilter (C) befindet, und mit dem Luftzufuhrverbindung des Luftreglers (M).
4. Erden Sie korrekterweise das freie Ende des Erdungskabels (Q).
5. Verbinden Sie das andere Ende der dublierten Rohrleitung von Luft/Lack mit der Lackeingangsverbindung der Multi-Spray-Pistole.
6. Verbinden Sie das Luftzufuhrrohr (O) mit dem Luftzufuhrverbindung der Anlage.

7.2 INSTALLATION DER PUMPE ICON-A233N

1. Positionieren Sie die Anlage auf eine ebene horizontale Fläche.
2. Verbinden Sie fest das Lackabsaugrohr (E) oder den Trichter mit der Lackeingangsverbindung der Pumpe (R) und das Rückführrohr (F) mit dem Abflussventil (D).
3. Verbinden Sie die Rohrleitung des Lacks mit der Lackzufuhrverbindung, die sich auf dem Lackzufuhrfilter (C) befindet.
4. Erden Sie korrekterweise das freie Ende des Erdungskabels (Q).
5. Verbinden Sie die Rohrleitung des Lacks mit der Lackeingangsverbindung der Airless-Pistole.
6. Verbinden Sie das Luftzufuhrrohr (O) mit dem Luftzufuhrverbindung der Anlage.

7.3 KONFIGURATION DER ANLAGE



EXTRAS	
ICON-M233N	ICON-A233N
Luftzufuhrrohr für die Pumpe G1/4"	----
Luftzufuhrrohr für die Pistole G1/4"	
Lackzufuhrrohr für die Pistole G1/4"	
Multi-Spray-Pistole MSGS-200 EVO	Airless-Pistole ALG-7 TE

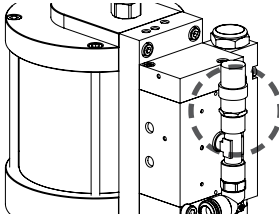

HAUPTKONFIGURATION

PUMPEINHEIT				
A	Pressluftmotor		I	Luftdruckregler (für die Pistole)
B	Pumpstange		L	Luftdruckregler (für die Pumpe)
C	Lackzufuhrfilter TF-1S (100 mesh)		M	Luftzufuhrverbindung der Pistole
D	Abflussventil		N	Luftzufuhrverbindung der Pumpe
E	Absaugrohrleitung	50 Mesh	O	Luftzugang
F	Rückführrohr	1.7 m - ø 6 x 8	P	Sicherheitsventil
G	Schlitten	G1/2"	Q	Erdungskabel 1.6 m
H	Sicherheitsabsperrentil		R	Lackeingangsverbindung

8. SICHERHEITSVORRICHTUNGEN

Verschiedene Sicherheitsvorrichtungen sind während der Planung und der Produktion der Multi-Spray- und Airless-Einheit konzipiert worden, um den Benutzer der Richtlinie EN 12621:2010 über Lack gemäß zu schützen.

8.1 SICHERHEITSVENTIL


	EIN AUF 8 BAR GEEICHTES SICHERHEITSVENTIL WURDE INSTALLIERT, UM ZU GEWÄHRLEISTEN, DASS DER BETRIEBSDRUCK DER ANLAGE IM ZUFUHRKREISLAUF DEN SICHERHEITSWERT NICHT IN EINER GEFÄHRLICHEN WEISE ÜBERSCHREITET.
	ACHTUNG! ENTFERNEN SIE DIE PLASTIKSCHUTZVORRICHTUNG DES VENTILS NICHT. JEDES AUFBRECHEN KÖNNTE GEFAHR FÜR DEN BENUTZER VERURSACHEN, DIE UNVERSEHRTHEIT UND DAS GUTE FUNKTIONIEREN DER ANLAGE GEFÄHRDEN.

8.2 SICHERHEITSABSPERRVENTIL


	HINWEISE	
		IM FALL VON ANOMALIEN WÄHREND DER VERWENDUNG DER ANLAGE DREHEN SIE UM 90° DEN NOTSPERRHEBEL. DAS ERLAUBT, DIE SPEISUNG DER EINHEIT ZU UNTERBRECHEN UND DEN RESTDRUCK DER PUMPE ABZULASSEN.

9. BEARBEITBARE PRODUKTE


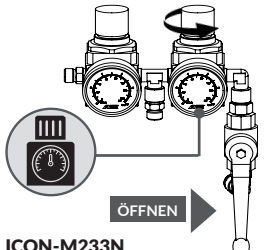
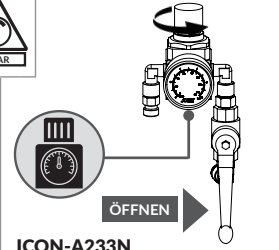
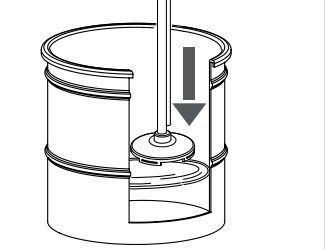
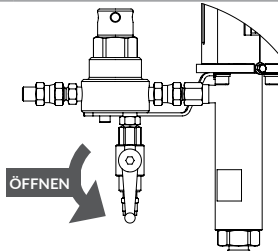
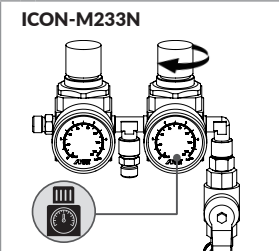
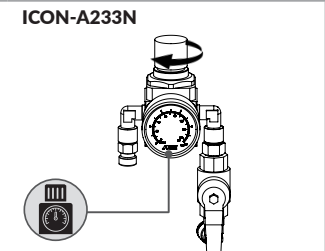
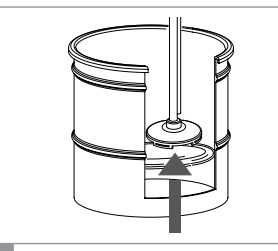
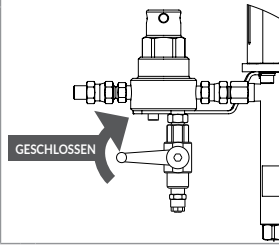
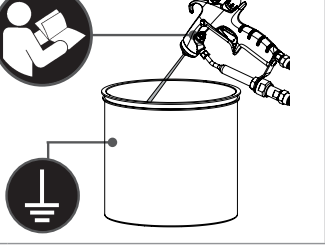
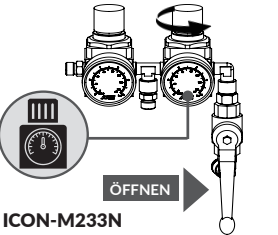
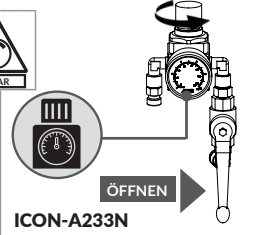
DIE ICON ANEST IWATA PUMPEN SIND ZUR LACKIERUNG VON EISENHALTIGEM MATERIAL, HOLZ UND PLASTIKEN KONZIPIERT.

HINWEISE	ZUR VERWENDUNG DER PUMPEN MIT BESONDEREN MATERIALIEN IST DIE ZUSTIMMUNG DES HERSTELLERS NOTWENDIG. ES IST VERBOTEN, FOLGENDE SUBSTANZEN ZU VERWENDEN:
	<ul style="list-style-type: none"> - HALOGENKOHLENWASSERSTOFF-LÖSUNGSMITTEL, WIE Z.B. TRICHLORÄTHAN, METHYLCHLORID ODER ÄHNLICHE. - HOCHGIFTIGE PRODUKTE WIE BENZOL, KEROSIN ODER BRENNGASE. - UNKRAUTBEKÄMPFUNGSMITTEL ODER PESTIZIDE. - RADIOAKTIVE FLÜSSIGKEITEN.

10. BETRIEB

	HINWEISE
	ERDEN SIE KORREKTERWEISE DIE EINHEIT, DIE PISTOLE ZUR LACKIERUNG, DIE ZU LACKIERENDEN TEILE UND DIE BEHÄLTER DER PRODUKTE ZUR ANLAGEREINIGUNG. VERWENDEN SIE NUR GEERDETE LEITENDE BEHÄLTER. Eine unzureichende Erdung könnte Brände oder Explosionen wegen der von statischer Elektrizität erzeugten Funken verursachen.

10.1 REINIGUNG VOR DER VERWENDUNG

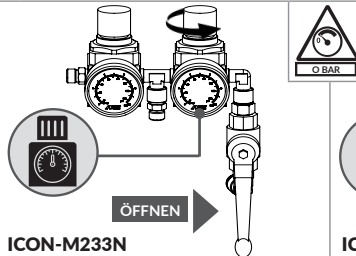
		ACHTUNG: DIE PUMPE SOLL VOR DER ERSTEN INBETRIEBSETZUNG, NACH LANGER INAKTIVITÄT UND NACH JEDEM FARBWECHSEL IMMER GEREINIGT WERDEN.
1	Nach der Installation (Kap. 7) und bevor Luft in die Anlage zugeführt wird, überprüfen Sie, ob das Kugelventil offen und der Regler auf 0 bar eingestellt ist.	2 Tauchen Sie das Absaugrohr in den Behälter der Reinigungsflüssigkeit.
		
3	Öffnen Sie das Abflussventil zur Rückführung der Flüssigkeit.	4 Stellen Sie den Druckregler langsam nach oben auf den geringsten notwendigen Druckwert zur Erzeugung der geradlinigen und alternierenden Bewegung der Pumpe ein.
		
5	Nach der Reinigung lassen Sie das verwendete Reinigungsmittel durch das Abflussrohr beim Heben des Absaugrohrs über die Flüssigkeitsebene ablaufen.	6 Schließen Sie das Abflussventil.
		7 Lassen Sie die Reinigungsflüssigkeit aus der Pistole herabfließen.
		
8	Stellen Sie den Luftregler auf 0 bar ein.	
		

10.2 VERWENDUNG

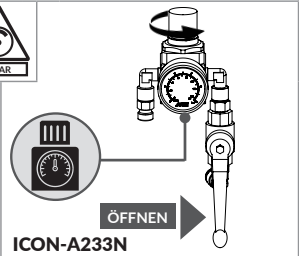


VOR DER VERWENDUNG DER ANLAGE IST ES WICHTIG, ALLE IM GEBRAUCHSANWEISUNGSHANDBUCH DER ZU VERWENDENDEN PISTOLE ENTHALTENEN HINWEISE IMMER ZU LESEN UND MIT AUFMERKSAMKEIT ZU BEFOLGEN. MSGS-200 EVO (Multi Spray) oder ALG-7 TE (Airless).

1 Nach der Reinigung und bevor Luft in die Pumpe zugeführt wird, überprüfen Sie, ob das Kugelventil offen und der Luftregler auf 0 bar eingestellt ist.

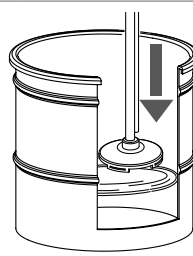


iCon-M233N

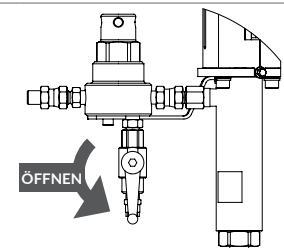


iCon-A233N

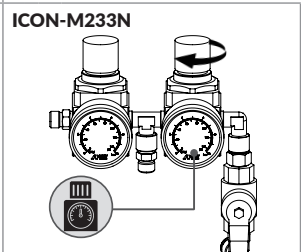
2 Tauchen Sie das Absaugrohr in den Behälter des Lacks.



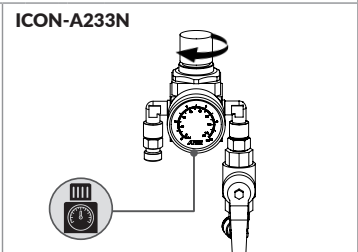
3 Öffnen Sie das Abflussventil zur Rückführung des Lacks.



4 Regeln Sie den Druckregler langsam nach oben auf den geringsten notwendigen Druckwert zur Erzeugung der geradlinigen und alternierenden Bewegung der Pumpe ein.

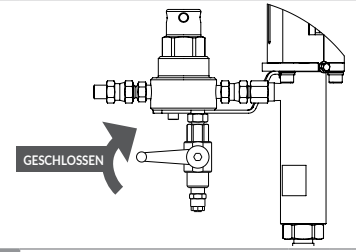


iCon-M233N

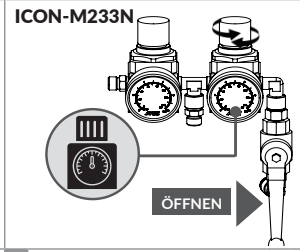


iCon-A233N

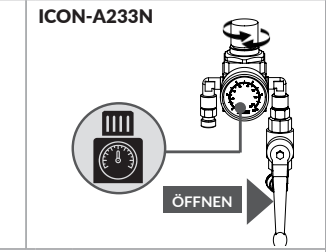
5 Vergewissern Sie sich, dass der Lack aus dem Rückführrohr fließt und schließen Sie dann das Abflussventil.



6 Kalibrieren Sie den Luftdruckregler, um den besten Betriebsdruck des Materials für ihre eigenen Bedürfnisse zu erzielen.

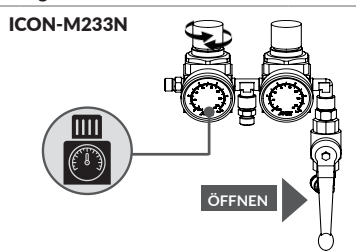


iCon-M233N



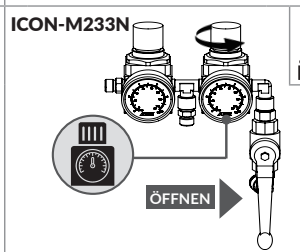
iCon-A233N

7 Kalibrieren Sie den Luftdruckregler, um den besten Zerstäubungsdruck für ihre eigenen Bedürfnisse zu erzielen.

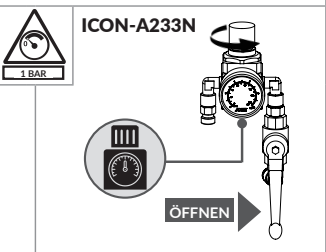


iCon-M233N

8 Am Ende der Lackierungsverfahren stellen Sie den Luftregler auf 1 bar ein und wiederholen Sie die Anleitungen vom Punkt 5 bis zum Punkt 8 auf Seite 73



iCon-M233N



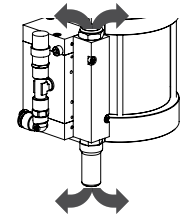
iCon-A233N

ACHTUNG!



WÄHREND DES BETRIEBS LÄSST DIE PUMPE DEN LUFT VON DEN SCHALLDÄMPFERN AB.

BERÜHREN SIE NICHT DIE ABLASSPERRE, WENN DIE ANLAGE IN BETRIEB IST.



10.3 SCHEMA DER STEIGERUNG DES FLÜSSIGKEITSDRUCKS

Modell	Verhältnis	Einstellung des Luftreglers	Steigerung des Flüssigkeitsdrucks
iCon-M233N	30:1	0.3MPa (3bar - 43.5psi)	9.0MPa (90bar - 1305psi)
iCon-A233N		0.5MPa (5bar - 72.5psi)	15.0MPa (150bar - 2175psi)
		0.7MPa (7bar - 100psi)	21.0MPa (210bar - 3045psi)

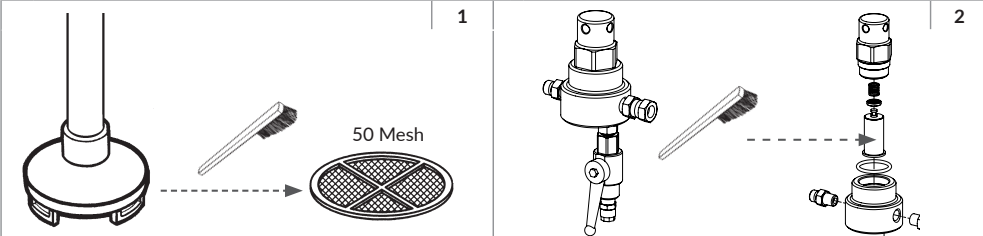
11. ORDENTLICHE WARTUNG

11.1 TÄGLICHE WARTUNG

- 1 REINIGEN SIE IMMER DIE PUMPE nach jeder Verwendung und jedem Farbwechsel.
- 2 ÜBERPRÜFEN SIE, OB KEINE LUFT- ODER LACKAUSSTRÖMUNGEN VORHANDEN SIND: Überprüfen Sie, ob die Rohrleitungen nicht beschädigt und alle Gewindeteile der Verbindungen gut versiegelt sind. Falls Anomalien vorkommen, sie sofort wechseln.

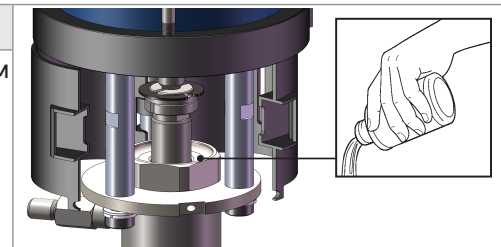
11.2 MONATLICHE WARTUNG

- 1 KONTROLLIEREN SIE DEN FILTER DES ABSAUGROHRS: Überprüfen Sie, ob er nicht verstopft oder beschädigt ist. Reinigen Sie oder wechseln Sie ihn, wenn nötig.
- 2 KONTROLLIEREN SIE DEN LACKZUFUHRFILTER (TF-15): Überprüfen Sie, ob er nicht verstopft oder beschädigt ist. Reinigen Sie oder wechseln Sie ihn, wenn nötig.

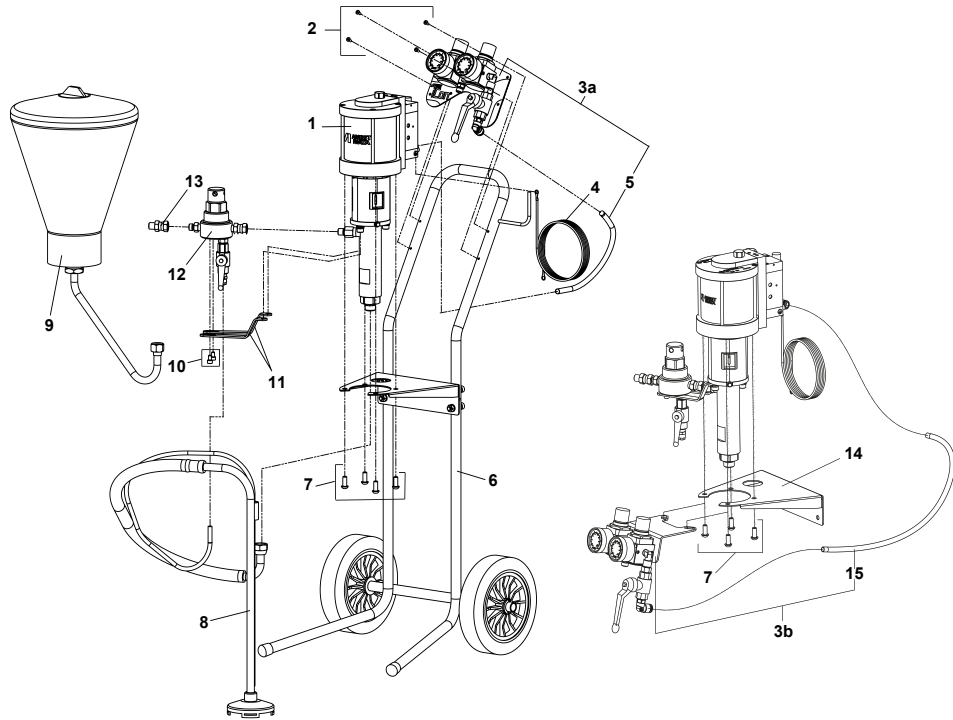


WICHTIG!

DIE PUMPE ICON X3 WURDE ZUM FUNKTIONIEREN MIT LACKEN OHNE SCHMIERMITTEL ENTWORFEN. IM FALLE EINER INTENSIVEN VERWENDUNG, IST ES TROTZDEM EMPFOHLEN, DAS SCHMIERMITTEL ANEST IWATA (94445770 - NICHT EINGESCHLOSSEN) IN DER VERDÜNNUNGSWANNE HINZUZUFÜGEN, UM DIE DAUER DER DICHTUNGEN ZU VERLÄNGERN.

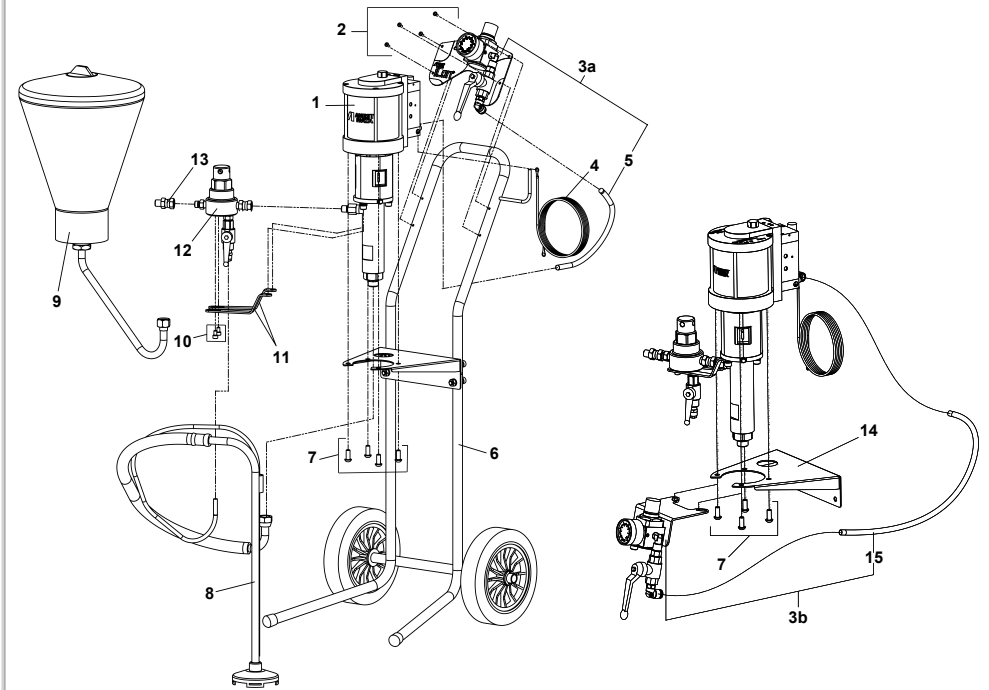


12. KONFIGURATION DER EINHEIT Icon X3 - MULTI-SPRAY-Version



Pos.	Kode	Beschreibung
1	-	PUMPAGGREGAT-SET (PP-3025N)
2	94444790	RUNDKOPFSCHRAUBE MIT HEXAGONALEM GRIFF (4 St.)
3a	940188A0	LUFTREGLER-SET für die auf dem SCHLITTEN montierte VERSION
3b	940189A0	LUFTREGLER-SET für die auf dem WANDBÜGEL montierte VERSION
4	ME100001	ERDUNGSKABEL-SET
5	940157A0	LUFTROHR 0,3 m (für die auf dem Schlitten montierte Version)
6	940085A0	SCHLITTEN-SET
7	960055A0	SET VON FLACHKOPFSCHRAUBEN MIT HEXAGONALEM GRIFF M8x20 (4 St.)
8	0101010000	ABSAUGROHRLEITUNG-SET
9	04005510	TRICHTER-SET 6 lt.
10	960056A0	SET VON BEFESTIGUNGSSCHRAUBEN M6x10 (2 St.)
11	940052A0	FILTERHALTER
12	140002A0	LACKZUFUHRFILTER-SET TF-1S
13	94006030	ADAPTER G1/4" F - NPSM 1/4" M
14	940192A0	WANDBÜGEL
15	940060A0	LUFTROHR 0,5 m (für die auf dem Wandbügel montierte Version)

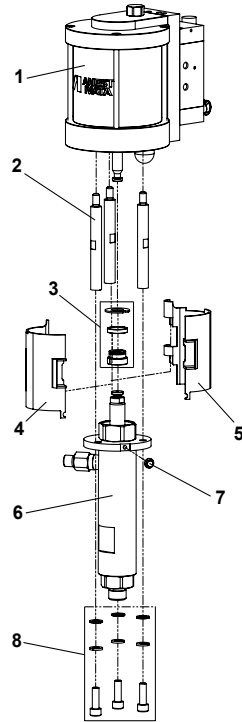
12. KONFIGURATION DER EINHEIT Icon X3 - AIRLESS-Version



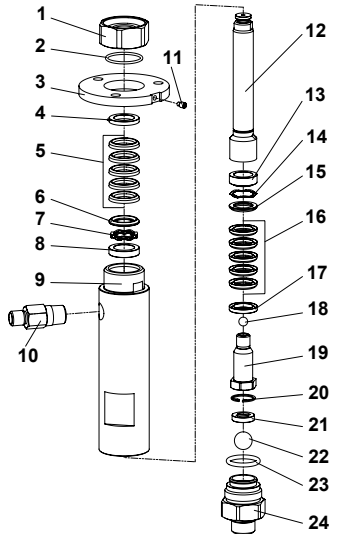
Pos.	Kode	Beschreibung
1	-	PUMPAGGREGAT-SET (PP-3025N)
2	94444790	RUNDKOPFSCHRAUBE MIT HEXAGONALEM GRIFF (4 St.)
3a	940190A0	LUFTREGLER-SET für die auf dem SCHLITTEN montierte VERSION
3b	940191A0	LUFTREGLER-SET für die auf dem WANDBÜGEL montierte VERSION
4	ME100001	ERDUNGSKABEL-SET
5	940157A0	LUFTROHR 0,3 m (für die auf dem Schlitten montierte Version)
6	940085A0	SCHLITTEN-SET
7	960055A0	SET VON FLACHKOPFSCHRAUBEN MIT HEXAGONALEM GRIFF M8x20 (4 St.)
8	0101010000	ABSAUGROHRLEITUNG-SET
9	04005510	TRICHTER-SET 6 lt.
10	960056A0	SET VON BEFESTIGUNGSSCHRAUBEN M6x10 (2 St.)
11	940052A0	FILTERHALTER
12	140002A0	LACKZUFUHRFILTER-SET TF-1S
13	94006030	ADAPTER G1/4" F - NPSM 1/4" M
14	940192A0	WANDBÜGEL
15	940060A0	LUFTROHR 0,5 m (für die auf dem Wandbügel montierte Version)

12.1 PUMPAGGREGAT-SET

Pos.	Kode	Beschreibung
1	940000AO	PRESSLUFTMOTOR-SET
2	940036AO	VERBINDUNGSWELLE
3	940193AO	KUPPLUNG-SET
4	940093AO	SCHUTZ (LINKS)
5	940094AO	SCHUTZ (RECHTS)
6	940014AO	PUMPSTANGE-SET
7	960047AO	BEFESTIGUNGSSCHRAUBE MIT HEXAGONALEM GRIFF M5x12
8	940170AO	SET VON SCHRAUBEN MIT SCHEIBEN (3+3+3 St.)



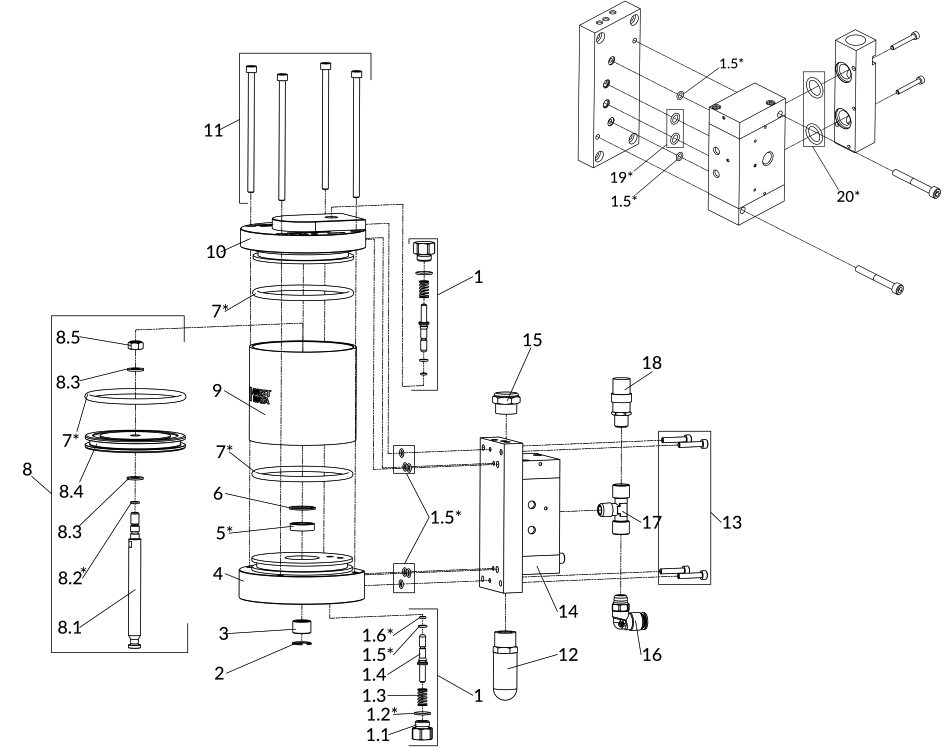
12.2 PUMPSTANGE-SET



Pos.	Kode	Beschreibung
1	940031AO	VERDÜNNUNGSWANNE
2	960011AO	O-RING 2.0-29.5
3	940112AO	FLANSCH
4	940126AO	OBERER V-ADAPTER (MUTTERKUPPLUNG)
5	940069AO	SET VON OBEREN V-DICHTUNGEN (3 PE + 2 PTFE)
6	940123AO	OBERER V-ADAPTER (VATERKUPPLUNG)
7	940122AO	MEHRSCICHTIGE WELLENFEDER
8	940121AO	SITZ DER FEDER

Pos.	Kode	Beschreibung
9	940015AO	BUCHSE
10	940032AO	MATERIALVERSCHRAUBUNG
11	960040AO	VERSCHLUSS
12	940166AO	KOLBENSTANGE
13	940127AO	SITZ DER FEDER
14	940128AO	FLACHDRAHTFEDER
15	940129AO	UNTERER V-ADAPTER (VATERKUPPLUNG)
16	940070AO	SET VON OBEREN V-DICHTUNGEN (3 PE + 2 PTFE)
17	940132AO	UNTERER V-ADAPTER (MUTTERKUPPLUNG)
18	06662025	KUGEL 5/16"
19	940021AO	OBERES VENTIL
20	960014AO	SICHERUNGSRING 20
21	04944770	VENTILDICHTUNG
22	06662050	KUGEL 5/8"
23	960015AO	O-RING 3.53-23.39
24	940033AO	UNTERES VENTIL

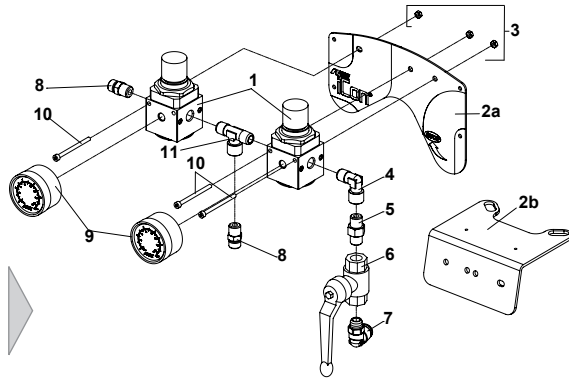
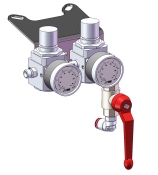
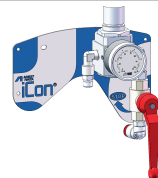
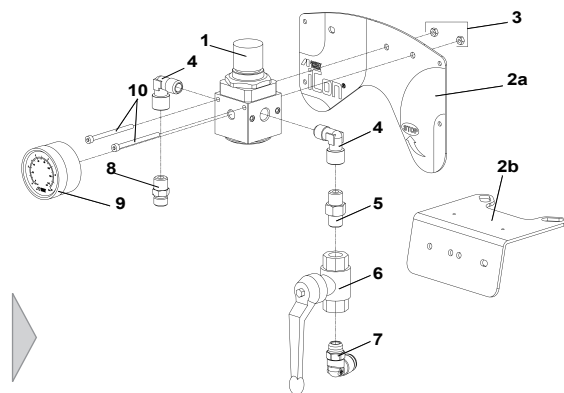
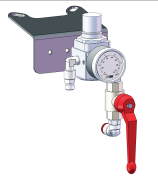
12.3 LUFTMOTOR-SET



Pos.	Kode	Beschreibung
1	940073AO	PILOTVENTIL-SET
1.1	940007AO	VENTILVERSCHLUSS
1.2*	96997009	O-RING \varnothing 1.5-13.5
1.3	940006AO	FEDER
1.4	940005AO	KOLBEN
1.5*	96997003	O-RING \varnothing 1.5-5.5
1.6*	96997012	O-RING \varnothing 1.5-3.5
2	960000AO	SICHERUNGSRING 18
3	940002AO	BÜCHSE
4	940001AO	UNTERER MODUL
5*	960001AO	U-DICHTUNG
6	960002AO	SICHERUNGSRING 24
7*	960004AO	O-RING \varnothing 5.33-89.69
8	940065AO	MOTORKOLBENSTANGE-SET
8.1	940159AO	MOTORKOLBENSTANGE
8.2*	960052AO	O-RING \varnothing 1.5-6

Pos.	Kode	Beschreibung
8.3	06363080	SCHEIBE
8.4	940004AO	KOLBEN
8.5	960003AO	SELBSTSICHERNDE SECHSKANTMUTTER
9	940008AO	ZYLINDER
10	940010AO	OBERER MODUL
11	960006AO	SET VON BEFESTIGUNGSSCHRAUBEN MIT HEXAGONALEM GRIFF M6X120 (4 St.)
12	960010AO	SCHALLDÄMPFER
13	96350525	SET VON BEFESTIGUNGSSCHRAUBEN MIT HEXAGONALEM GRIFF M5x25 (4 St.)
14	940174AO	AUSTAUSCHVENTIL
15	04447820	ABFLUSSFILTER
16	UL300309	WINKELVERSCHRAUBUNG
17	UL30030000	T-VERSCHRAUBUNG
18	UL30036000	SICHERHEITSVENTIL
19*	060031AO	O-RING \varnothing 1.78 - 7.65
20*	060008AO	O-RING \varnothing 2.62 - 15.54
(*)	940072AO	O-RING-SET DES PRESSLUFTMOTORS UND DER AUSTAUSCHVENTIL

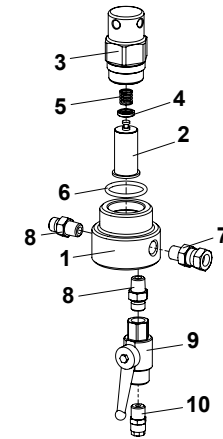
12.4 LUFTREGLER-SET

LUFTREGLER-SET für
Multi-Spray-EinheitAuf dem SCHLITTEN
montierte VersionAuf dem WANDBÜGEL
montierte VersionLUFTREGLER-SET für
Airless-EinheitAuf dem SCHLITTEN
montierte VersionAuf dem WANDBÜGEL
montierte Version

Pos.	Kode	Beschreibung	Menge	
			M233N	A233N
1	UI00070001	LUFTREGLER	2	1
2a	940156A0	PLATTE DES LUFTREGLERS (für die auf dem SCHLITTEN montierte Version)	1	1
2b	UL00005201	PLATTE DES LUFTREGLERS (für die auf dem WANDBÜGEL montierte Version)	1	1
3	UL300700	SECHSKANTMUTTER M4	3	2
4	UL300201	L-VERSCHRAUBUNG	1	2
5	UL300101	VERSCHRAUBUNG	1	1
6	UL30034901	ZWEI-WEG-VENTIL MIT ABFLUSSLOCH	1	1
7	UL300309	WINKELVERSCHRAUBUNG	1	1
8	UL30010501	BESONDERE VERSCHRAUBUNG R1/4" - G1/4"	2	1
9	02004003	MANOMETER (bar - psi)	2	1
10	06350455	BEFESTIGUNGSSCHRAUBE MIT HEXAGONALEM GRIFF M4x55	3	2
11	UL300303	T-VERSCHRAUBUNG	1	0

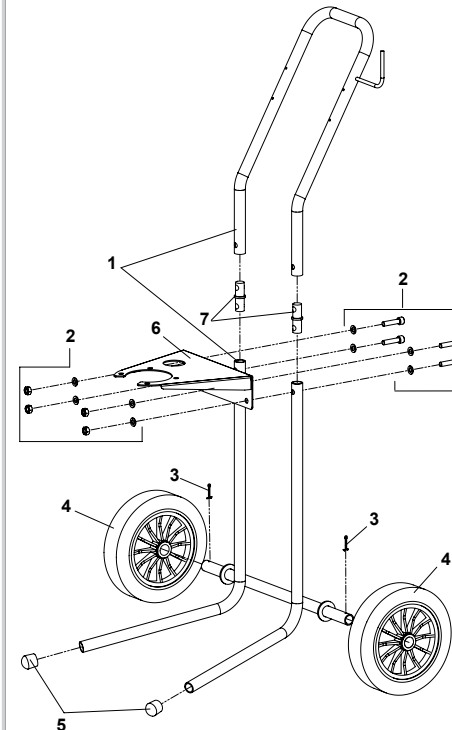
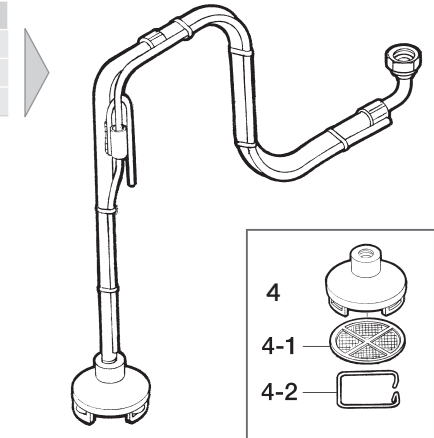
12.5 LACKZUFUHRFILTER TF-1S

Pos.	Kode	Beschreibung
1	940053A0	FILTERGEHÄUSE
2	VFM2704	FILTER 100 MESH
3	940054A0	ZYLINDER
4	940055A0	SITZ DER FEDER
5	940056A0	FILTERFEDER
6	960021A0	O-RING 3.53-32.92
7	96859022	DREHBARE VERSCHRAUBUNG R1/4" M - G1/4" F
8	UL300462	VERSCHRAUBUNG G1/4" - R1/4"
9	UL30090100	ZWEIWEG-ABFLUSSVENTIL
10	UL300302	VERSCHRAUBUNG ALS ROHRBEHÄLTER



12.6 ABSAUGROHRLEITUNG-SET

Pos.	Kode	Beschreibung
4	UL10000701	VOLLE FILTERGLOCKE
4-1	0040720100	FILTER 50 MESH
4-2	00407203	FEDER ZUR FILTERSICHERUNG



12.7 SCHLITTEN-SET

Pos.	Kode	Beschreibung
1	940113A0	RAHMEN DES FILTERS
2	940169A0	SET VON BEFESTIGUNGSSCHRAUBEN + MUTTERN + SCHEIBEN (4+4+8 St.)
3	UL300811	SPLINT
4	UL200001	RAD
5	960019A0	GUMMIFÜSSE
6	940192A0	WANDBÜGEL
7	940089A0	VERBINDUNGSMUFFE

13. FUNKTIONSTÖRUNGEN, URSACHEN UND LÖSUNGEN




FUNKTIONSTÖRUNG	URSACHE	ÜBERPRÜFUNG	LÖSUNG
1 Der Luftdruck steigt nicht.	a Das Kugelventil ist nicht in der richtigen Position.	a Überprüfen Sie, ob das Kugelventil in der richtigen Position ist.	a Stellen Sie das Kugelventil in die richtige Position ein.
	b Der Luftregler ist nicht offen.	b Überprüfen Sie, ob der Luftregler korrekterweise funktioniert.	b Wenn der Luftregler geschlossen ist, öffnen Sie ihn. Wenn er beschädigt ist, wechseln Sie ihn.
	c Der Luftdruck ist nicht hoch genug.	c Überprüfen Sie, ob der Druckanzeiger des Druckmessers funktioniert.	c Wenn der Kompressor den nötigen Luftdruck nicht erreichen kann, wechseln Sie ihn mit einem von größerer Kapazität.
2 Der Lack strömt nicht aus der Pistole.	a Der Lackfilter oder der Lackkreislauf ist verstopft.	a Wenn das Rückführungsventil geöffnet wird, strömt der Lack nicht heraus.	a Der Lackkreislauf ist von dem Pumpeingang bis zur Verbindung des Materialrohrs verstopft. Überprüfen Sie den Kreislauf des Lacks und entfernen Sie das verstopfende Material.
		a1 Wenn das Rückführungsventil geöffnet wird, strömt der Lack normal heraus, aber wenn der Abzug gedrückt wird, nicht.	a1 Der Lackkreislauf ist von der Verbindung des Materialrohrs bis zur Düse der Pistole verstopft. Kontrollieren Sie den Verstopfungspunkt und beseitigen Sie die Verstopfung. Normalerweise ist diese Funktionsstörung von der Verstopfung des Pistolenfilters verursacht. * Siehe Handbuch der verwendeten Pistole, um das Problem zu lösen.
	b Die Düse ist verstopft.	b Entfernen Sie die Düse und drücken Sie den Abzug der Pistole. Wenn der Lack austritt, ist die Düse.	b *Siehe Handbuch der verwendeten Pistole, um das Problem zu lösen.
	c Die Sicherheitssperre ist blockiert.	c	c Lösen sie die Sicherheitssperre.
3 Die Pumpe funktioniert nicht.	a Die Luft führt die Pumpe nicht zu.	a Überprüfen Sie die Luftzufuhrrohrleitung der Pumpe.	a Wechseln Sie sie, wenn sie beschädigt oder verstopft ist.
	b Die Pumpe hat ein technisches Problem.	b Montieren Sie den Pressluftmotor aus der Pumpeinheit ab und testen Sie ihn, indem Sie eine andere Luftrohrleitung verwenden.	b Wenn der Motor korrekterweise funktioniert, folgen Sie die Hinweise bezüglich der Lösungen vom Punkt 2 (a-b).
	c	c	c Wenn der Motor nicht korrekterweise funktioniert, montieren Sie den Zylinder ab und kontrollieren Sie ihn. Im Fall von besonderen Anomalien schicken Sie ihn unserem technischen Kundendienstservice.
4 Die Pumpe kommt nicht zum Stillstand.	a Luft ist in die Lackdurchflussvorrichtungen eingedrungen.	a Vergewissern Sie sich, dass die Rohrleitung der Absauganlage korrekterweise angegeschlossen ist.	a Ziehen Sie die Verbindung der Absauganlage fest.

13. FUNKTIONSTÖRUNGEN, URSACHEN UND LÖSUNGEN

FUNKTIONSTÖRUNG	URSACHE	ÜBERPRÜFUNG	LÖSUNG
4 Die Pumpe kommt nicht zum Stillstand.	b Die Luft bleibt in den Lackdurchflussvorrichtungen.	b Überprüfen Sie, ob der Lack in gutem Zustand ist und die Absaugrohrleitung vollständig im zu pumpen den Produkt untertaucht ist.	b Wenn der Lack in normalem Zustand ist, steigern Sie das Niveau des Lacks, bis er die Glocke der Absauganlage bedeckt. Folgen Sie dann dem Inbetriebsetzungsverfahren bezüglich des Luftauslasses aus den Lackdurchflussvorrichtungen.
	c Die Sitze und Kugeln (in der Pumpstange) sind schmutzig oder beschädigt.	c Montieren Sie die Pumpstange ab und kontrollieren Sie den Zustand der Sitze und Kugeln.	c Reinigen Sie sie, wenn verfestigte Lackrückstände sie verkrusten lässt. Andernfalls wechseln Sie sie, wenn sie irreparabel beschädigt sind.
	d Die V-förmigen Dichtungen (in der Pumpstange) sind schmutzig oder beschädigt.	d Montieren Sie die Pumpstange ab und kontrollieren Sie den Zustand der V-förmigen Dichtungen.	d Reinigen Sie sie, wenn verfestigte Lackrückstände sie verkrusten lässt. Andernfalls wechseln Sie sie, wenn sie irreparabel beschädigt sind.
	e Ausströmungen aus den Lackdurchflussvorrichtungen.	e Kontrollieren Sie alle Lackdurchflussvorrichtungen.	e Wenn Sie Ausströmungen bemerken, reparieren Sie sie.
5 Die Fächergröße ändert ständig.	f Das Abflussventil ist nicht geschlossen.	f	f Schließen Sie das Abflussventil.
	a Die V-förmigen Dichtungen (in der Pumpstange) sind schmutzig oder beschädigt.	a Montieren Sie die Pumpstange ab und kontrollieren Sie den Zustand der V-förmigen Dichtungen.	a Reinigen Sie sie, wenn verfestigte Lackrückstände sie verkrusten lässt. Andernfalls wechseln Sie sie, wenn sie irreparabel beschädigt sind.
	b Die Sitze und Kugeln (in der Pumpstange) sind schmutzig oder beschädigt.	b Montieren Sie die Pumpstange ab und kontrollieren Sie den Zustand der Sitze und Kugeln.	b Reinigen Sie sie, wenn verfestigte Lackrückstände sie verkrusten lässt. Andernfalls wechseln Sie sie, wenn sie irreparabel beschädigt sind.
6 Der Anzeiger des Druckmessers zeigt, dass es Druck gibt, obwohl der Luftregler geschlossen ist.	c Die Düse der Pistole ist abgenutzt.	c	c Wechseln Sie sie.
	d Der Lackfilter des Lackkreislaufs ist verstopft.	d	d Siehe Punkt (2 - a).
6 Der Anzeiger des Druckmessers zeigt, dass es Druck gibt, obwohl der Luftregler geschlossen ist.	a Der Luftregler ist beschädigt.	a	a Wechseln Sie ihn.

Estimado Cliente,
ante todo, gracias por escogerlos. Es un placer tenerlos como clientes.
Esperamos que el uso de este aparato satisfaga sus exigencias y las de su personal.





1. INFORMACIONES IMPORTANTES


IMPORTANTE	Este manual es parte integrante de la instalación y se debe leer atentamente antes de efectuar cualquier operación de puesta en marcha, ajuste, mantenimiento y manipulación. Este manual se debe conservar en un lugar seguro para cualquier consulta futura. Observar siempre atentamente las advertencias y las precauciones contenidas en este manual de instrucciones. De lo contrario, la pintura podría ser expulsada a presión elevada, causando daños físicos debidos a los disolventes orgánicos.
	
  II 2 G T6 X	<ul style="list-style-type: none"> Las unidades iCon ANEST IWATA Airless y Multi Spray cumplen con las normas ATEX 2014/34/EU; Nivel de protección: II 2G T6 Grupo del aparato: II Categoría: Gas 2G (Aptas para el uso en zonas 1 y 2) Área: Gas 1 Temperatura superficial máxima: clase de temperatura T6.








SIEMPRE OBSERVAR LAS ADVERTENCIAS Y LAS PRECAUCIONES CONTENIDAS EN ESTE MANUAL DE INSTRUCCIONES


	ADVERTENCIAS	NIVEL DE PELIGRO	CONSECUENCIAS
	ADVERTENCIAS CUIDADO	SITUACIÓN POTENCIALMENTE PELIGROSA	RIESGOS SERIOS PARA LA SALUD Y LA VIDA RIESGOS MODERADOS


2. ADVERTENCIAS DE SEGURIDAD

ADVERTENCIAS	RIESGOS DE INCENDIO Y EXPLOSIONES	
	SE PROHIBE SEVERAMENTE PRODUCIR LLAMAS LIBRES Y CHISPAS. Las pinturas pueden ser altamente inflamables y por lo tanto podrían causar incendios graves. Evitar cualquier acción que podría causar incendios como fumar, producir chispas o utilizar equipos eléctricos no adecuados.	
	CONECTAR LA UNIDAD A TIERRA A TRAVÉS DEL CABLE DE TIERRA ENTREGADO: 1.6m - terminal de cable \varnothing 6.5. Resistencia eléctrica: $>1M\Omega$. Controlareste valor periódicamente. Cerciorarse de que la bomba, la pistola, el objeto a pintar y los contenedores de las pinturas o de los disolventes estén conectados a tierra correctamente. Una puesta a tierra no adecuada o insuficiente podría causar incendios o explosiones debidos a chispas producidas por la electricidad estática.	
	NUNCA UTILIZAR LOS DISOLVENTES HIDROCARBUROS HALOGENADOS, que podrían causar reacciones químicas capaces de dañar o fundir las partes de aluminio. LOS DISOLVENTES INCOMPATIBLES SE LISTAN A CONTINUACIÓN: Cloruro de Metilo, Diclorometano, 1,2-Dicloroetano, Tetracloruro de Carbono, Tricloroetileno, 1,1,1-Tricloroetano. CERCIORARSE DE QUE TODOS LOS MATERIALES Y LOS DISOLVENTES SEAN COMPATIBLES CON TODAS LAS PARTES DE LA INSTALACIÓN. La empresa podrá entregar una lista de materiales utilizados en el producto.	

ADVERTENCIAS	RIESGOS DE USO INCORRECTO
	<p>NUNCA DIRIGIR LA PISTOLA HACIA EL CUERPO DE PERSONAS O ANIMALES. NUNCA PRESIONAR EL GATILLO CUANDO LAS PARTES DEL CUERPO O LOS DEDOS ESTÁN CERCA DEL PICO. De lo contrario, se podrían lesionar la piel, los ojos u otras partes del cuerpo. En caso de sufrir cualquier trastorno físico durante las fases de trabajo, acudir inmediatamente a un médico.</p> <p>NO EXCEDER NUNCA LA PRESIÓN MÁXIMA O LA TEMPERATURA MÁXIMA DE TRABAJO. Una presión de uso superior a la máxima admitida podría causar la explosión de la pistola y por consiguiente daños graves.</p> <p>SIEMPRE DESCARGAR LA PRESIÓN DEL AIRE Y DEL MATERIAL ANTES DE LLEVAR A CABO LAS OPERACIONES DE LIMPIEZA, DESMONTAJE O MANTENIMIENTO. De lo contrario, la presión residual podría causar daños físicos debidos a operaciones incorrectas o dispersión de los líquidos de limpieza. Para descargar la presión, cerrar la alimentación del aire de la bomba.</p>

ADVERTENCIAS	RIESGOS PARA LA SALUD Y PROTECCIONES DEL CUERPO
	SIEMPRE UTILIZAR LA INSTALACIÓN EN LA CABINA DE PINTURA VENTILADA ADECUADAMENTE. Una ventilación no adecuada o insuficiente podría causar una intoxicación por disolventes orgánicos o incendios. En caso de sufrir cualquier trastorno físico durante las fases de trabajo, acudir inmediatamente a un médico.
 	SIEMPRE LLEVAR ROPA DE PROTECCIÓN (gafas de seguridad, máscara, guantes). De lo contrario, los productos de limpieza podrían causar inflamaciones de los ojos o de la piel. En caso de riesgo aún mínimo de daño físico a los ojos o a la piel, acudir inmediatamente a un médico.
 	El nivel de ruido de la pistola ANEST IWATA, no excede el valor de la presión acústica ponderada (A) de 85 dB(A), sobre el riesgo de exposición diaria al ruido. Se recomienda siempre utilizar protecciones personales auditivas, en virtud de que las condiciones de uso y del área de trabajo podrían exceder el valor medio consentido.
	CERCIORARSE DE QUE LA BOMBA ESTÉ PARADA, LA PRESIÓN DEL AIRE Y DEL FLUIDO SE REDUZCA A "0 bar" Y EL DISPOSITIVO DE BLOQUEO DE SEGURIDAD DE LA PISTOLA ESTÉ ELEVADO ANTES DE MONTAR O DESMONTAR EL PICO.
	Si la distancia entre la pistola y la instalación de bombeo es amplia, para paradas de emergencia, se recomienda instalar una válvula de bola para cerrar la impulsión de pintura a la entrada de la pistola.
 	NO INTENTAR PARAR LAS PÉRDIDAS DE PINTURA CON LAS MANOS. En caso de pérdidas, parar inmediatamente la bomba y reducir la presión de la misma a "0 bar". La pintura a presión elevada podría herir gravemente su cuerpo. En caso de sufrir cualquier trastorno físico durante las fases de trabajo, acudir inmediatamente a un médico.
	Debido a una presión manual prolongada del gatillo, el uso constante de la pistola de pintura podría causar el síndrome del túnel carpiano. EN CASO DE SUFRIR FATIGA EN LA MANO, SUSPENDER LAS OPERACIONES DE PINTURA Y HACER UNA BREVE PAUSA.

ADVERTENCIAS	OTRAS PRECAUCIONES
	<p>NO MODIFICAR NUNCA LA INSTALACIÓN. Esto podría causar malfuncionamientos o, en casos extremos, explosiones.</p> <p>NO ACCEDER NUNCA A LAS ÁREAS DE TRABAJO CON EQUIPOS EN FUNCIÓN (ROBOTS, RECIPROCADORES, ETC.) HASTA QUE LOS MISMOS HAYAN SIDO DESACTIVADOS. El contacto con la maquinaria en función podría causar lesiones graves.</p> <p>NO UTILIZAR NUNCA LA INSTALACIÓN PARA PULVERIZAR PRODUCTOS ALIMENTICIOS O QUÍMICOS. Las sustancias y los cuerpos extraños y contenidos en el mismo producto podrían corroer los pasajes del material, suponiendo riesgos graves para la salud y dañando la instalación.</p> <p>EN CASO DE MALFUNCIONAMIENTOS, SUSPENDER LAS OPERACIONES DE PINTURA INMEDIATAMENTE Y BUSCAR EL PROBLEMA. No utilizar nuevamente el equipo hasta que el problema haya sido resuelto.</p> <p>UTILIZAR EXCLUSIVAMENTE COMPONENTES O REPUESTOS ORIGINALES DE ANEST IWATA.</p>

ADVERTENCIAS	RIESGO DE ESTALLIDO DEL TUBO DE LA PINTURA
	<p>NO UTILIZAR NUNCA TUBOS RAYADOS, DAÑADOS, DOBLADOS O APLASTADOS. La pintura a presión elevada, saliendo de un agujero pequeño, podría perforar una chapa de hierro, causando daños graves.</p> <p>NO DOBLAR LOS TUBOS DEL MATERIAL CON UN RADIO INFERIOR AL ADMITIDO. Para conocer el radio de curvatura más adecuado, contactar al vendedor o directamente a nuestra empresa. No apoyar objetos pesados en los tubos para evitar dañarlos; de lo contrario, los mismos podrían explotar causando daños graves.</p>

3. MANUALES de REFERENCIA

Código manual	Modelo	Descripción
040057A0	ICON-M233N/ ICON-A233N	Bomba ICON
W5MSG5	MSG5-200 EVO	Pistola Multi Spray
MJ T080-00	ALG-7 TE WB	Pistola Airless

CONFIGURACIÓN UNIDAD iCon "MULTI SPRAY"

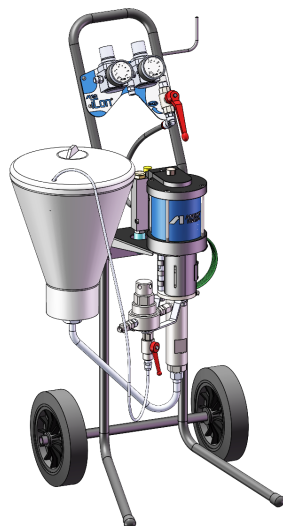
ICON M233N-S

Grupo bomba instalado en CARRO con TUBO DE PESCA
 2 reguladores de presión aire (1 para bomba y 1 para pistola)
 Unidad filtro pintura en impulsión TF-1S (100 mesh)
 Tubo de pesca con filtro (50 mesh)
 Tubo de recirculación de la pintura
 Dimensiones (LxWxH): 495 x 450 x 965 mm - Peso 16 Kg



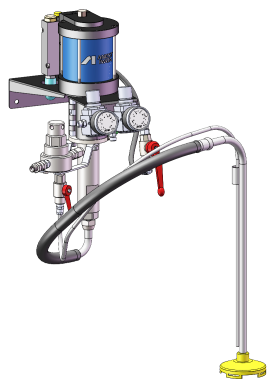
ICON M233N-H

Grupo bomba instalado en CARRO con TOLVA
 2 reguladores de presión aire (1 para bomba y 1 para pistola)
 Unidad filtro pintura en impulsión TF-1S (100 mesh)
 Tolva (6 lt.) con filtro (50 mesh)
 Tubo de recirculación de la pintura
 Dimensiones (LxWxH): 495 x 550 x 965 mm - Peso 16 Kg



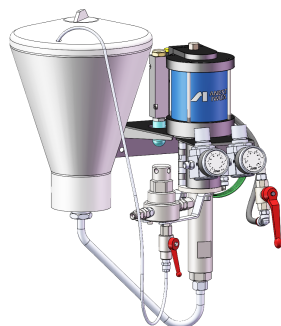
ICON M233N-SWM

Grupo bomba instalado en ABRAZADERA de PARED con TUBO DE PESCA
 2 reguladores de presión aire (1 para bomba y 1 para pistola)
 Unidad filtro pintura en impulsión TF-1S (100 mesh)
 Tubo de pesca con filtro (50 mesh)
 Tubo de recirculación de la pintura
 Dimensiones (LxWxH): 380 x 320 x 515 mm - Peso 11Kg



ICON M233N-HWM

Grupo bomba instalado en Abrazadera de PARED con TOLVA
 2 reguladores de presión aire (1 para bomba y 1 para pistola)
 Unidad filtro pintura en impulsión TF-1S (100 mesh)
 Tolva (6 lt.) con filtro (50 mesh)
 Tubo de recirculación de la pintura
 Dimensiones (LxWxH): 380 x 420 x 515 mm - Peso 11Kg



CONFIGURACIÓN UNIDAD iCon "AIRLESS"

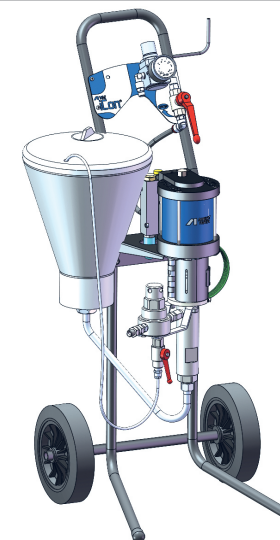
ICON A233N-S

Grupo bomba instalado en CARRO con TUBO DE PESCA
 Regulador de presión aire
 Unidad filtro pintura en impulsión TF-1S (100 mesh)
 Tubo de pesca con filtro (50 mesh)
 Tubo de recirculación de la pintura
 Dimensiones (LxWxH): 495 x 450 x 965 mm - Peso 16 Kg



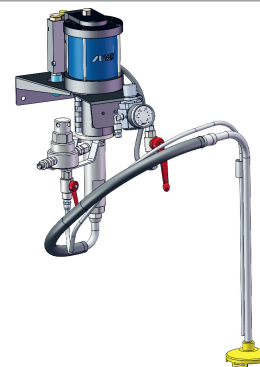
ICON A233N-H

Grupo bomba instalado en ABRAZADERA de PARED con TOLVA
 Regulador de presión aire
 Unidad filtro pintura en impulsión TF-1S (100 mesh)
 Tolva (6 lt.) con filtro (50 mesh)
 Tubo de recirculación de la pintura
 Dimensiones (LxWxH): 495 x 550 x 965 mm - Peso 16 Kg



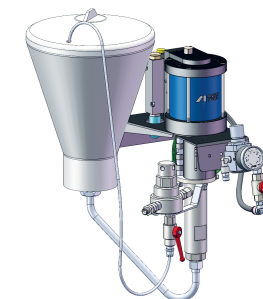
ICON A233N-SWM

Grupo bomba instalado en ABRAZADERA de PARED con TUBO DE PESCA
 Regulador de presión aire
 Unidad filtro pintura en impulsión TF-1S (100 mesh)
 Tubo de pesca con filtro (50 mesh)
 Tubo de recirculación de la pintura
 Dimensiones (LxWxH): 380 x 320 x 515 mm - Peso 11Kg



ICON A233N-HWM

Grupo bomba instalado en ABRAZADERA de PARED con TOLVA
 Regulador de presión aire
 Unidad filtro pintura en impulsión TF-1S (100 mesh)
 Tolva (6 lt.) con filtro (50 mesh)
 Tubo de recirculación de la pintura
 Dimensiones (LxWxH): 380 x 420 x 515 mm - Peso 11Kg

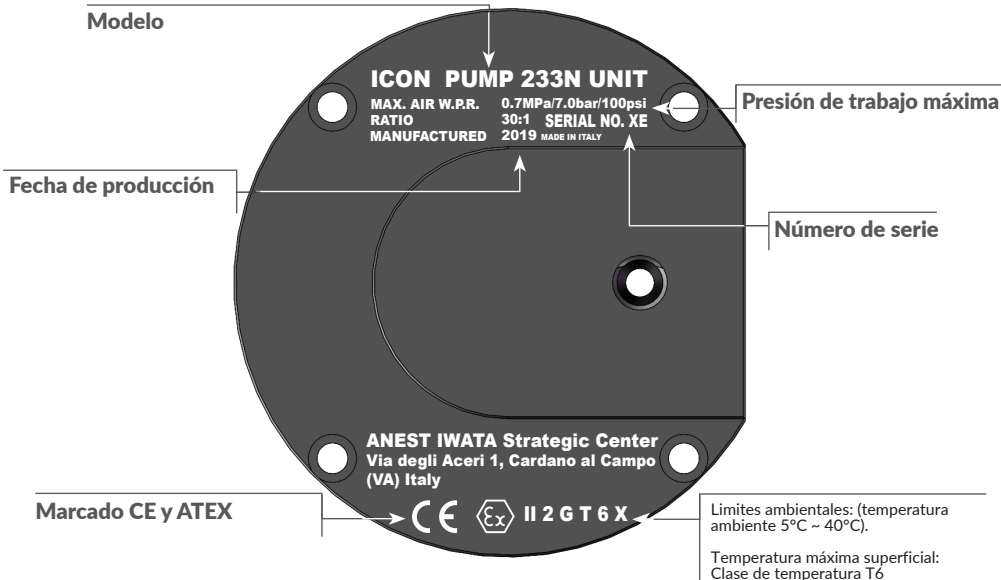


4. ESPECIFICACIONES TÉCNICAS

MODELOS	ICON-M233N	ICON-A233N
Unidad de bombeo:	PP-3025N	
Diámetro cilindro motor:	100 mm	
Filtro pintura:	Filtro pintura en impulsión	TF-1S (100 Mesh)
	Filtro pintura de aspiración	50 Mesh
Presión máx. de trabajo material:	210 bar (21 MPa)	
Presión máx. de entrada aire:	7.0 bar (0.7 MPa)	
Relación de presión:	30:1	
Temperatura de uso:	5°~40° C	
Nivel de ruido:	84.7 dB(A)	
Consumo de aire:	110 NI/min. a 30 cyc/min.	
Caudal material:	Máx. volumen por ciclo:	25 ml
	Máx. volumen/min.:	2.5 l/min.
Número máx. de ciclos por minuto:	100 cyc	
Material de los pasajes de la pintura	Grupo filtro pintura	Cuerpo: AISI303 - Filtro: AISI304/Poliamida
	Grupo tubo de pesca:	Tubo flexible: Caucho Tubo rígido, filtro y racores: AISI304
	Vástago bomba:	Principalmente: AISI303 - PE - PTFE

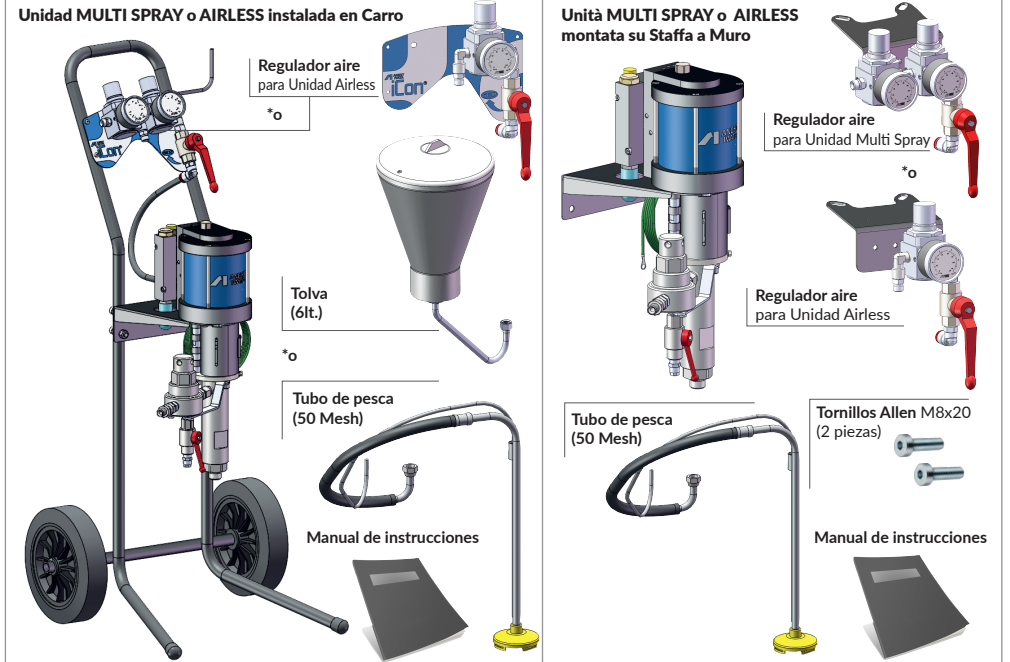
5. IDENTIFICACIÓN DEL PRODUCTO

DATOS DE IDENTIFICACIÓN: En todas las unidades Multi Spray y Airless han sido serigrafiados los datos de identificación del fabricante (véase figura). Nunca quitar las informaciones, aunque fuera necesario vender el equipo. Para cualquier comunicación con el fabricante, siempre mencionar el número de serie indicado en la serigrafía misma.



6. CONTENIDO DEL EMBALAJE

! Al recibir la bomba y antes de su uso, verificar la integridad del producto adquirido y cerciorarse de que los componentes estándar siguientes estén incluidos en el embalaje.



6.1 TRANSPORTE Y MANUTENCIÓN

Para transportar del equipo no se pueden utilizar otros sistemas, excepto los que se indican a continuación. En cualquier caso, es indispensable que el medio de transporte y levantamiento utilizado pueda soportar el peso de la instalación y del embalaje.

ADVERTENCIAS MANTENER EL EMBALAJE EN POSICIÓN VERTICAL.



SE RECOMIENDA QUE EL PERSONAL ENCARGADO DE LA MANUTENCIÓN DE LA CARGA TRABAJE CON GUANTES DE PROTECCIÓN Y CON ZAPATOS PARA LA PREVENCIÓN DE ACCIDENTES.

ANTES DEL LEVANTAMIENTO Y DE LA MANUTENCIÓN DEL EQUIPO O DE CUALQUIER DE SUS COMPONENTES DESPEJAR EL ÁREA DE LAS OPERACIONES, TAMBIÉN CONSIDERANDO UNA ZONA DE SEGURIDAD SUFICIENTE ALREDEDOR PARA EVITAR DAÑOS A PERSONAS U OBJETOS QUE PUEDAN ENCONTRARSE EN EL ÁREA DE MANIOBRA.

6.2 MANUTENCIÓN Y ALMACENAMIENTO

EL APARATO SE INTRODUCE EN UN EMBALAJE DE CARTÓN, ENVUELTO EN MATERIAL ANTI CHOQUES.

ADVERTENCIAS PARA MOVER EL EMBALAJE SÓLO SE PUEDE UTILIZAR UN CARRO.



SEGUIR LAS INDICACIONES DEL EMBALAJE ANTES DE PROCEDER A SU MANUTENCIÓN Y ABERTURA.

DURANTE EL TRANSPORTE Y EL ALMACENAMIENTO, CERCORARSE DE QUE NO SE EXCEDAN LAS TEMPERATURAS ENTRE 0 y 40° C. SI FUERA NECESARIO ALMACENAR EL APARATO, CERCORARSE DE QUE NO SE GUARDE EN LUGARES CON HUMEDAD EXCESIVA.

7. INSTALACIÓN

ADVERTENCIA	PRECAUCIONES DE SEGURIDAD
	PARA ASEGURAR EL FUNCIONAMIENTO CORRECTO DE LA INSTALACIÓN Y DE SUS DISPOSITIVOS DE SEGURIDAD, LA BOMBA DEBE SER INSTALADA POR PERSONAL CUALIFICADO.
	LA CONFIGURACIÓN ORIGINAL DE LA BOMBA NUNCA DEBE SER MODIFICADA.
	CONECTAR BOMBA Y PISTOLA DIRECTAMENTE A TIERRA, UTILIZANDO UN TUBO CONDUCTOR Y EL CABLE DE TIERRA ENTREGADO CON LA INSTALACIÓN.
	CERCIORARSE DE QUE TODOS LOS RACORES ESTÉN APRETADOS CORRECTAMENTE, YA QUE SU ABERTURA REPENTINA PODRÍA CAUSAR HERIDAS GRAVES AL PERSONAL ENCARGADO DE LA PINTURA.
	LEER ATENTAMENTE Y OBSERVAR LAS ADVERTENCIAS DE SEGURIDAD DEL MANUAL DE INSTRUCCIONES DE LAS PISTOLAS A UTILIZAR. ICON-M233N: MSGS-200 EVO / ICON-A233N: ALG7 TE
	ANTES DE INSTALAR LA BOMBA, PONER EL REGULADOR DEL AIRE Y DEL MATERIAL A 0 bar.
	LOS COMPONENTES EN MOVIMIENTO DE LA BOMBA PODRÍAN AMPUTAR LOS DEDOS O DAÑAR SERIAMENTE EL CUERPO HUMANO. SE PROHÍBE TOTALMENTE ABRIR LAS PROTECCIONES DE SEGURIDAD O INTRODUCIR LOS DEDOS EN ELLOS DURANTE EL FUNCIONAMIENTO DE LA BOMBA.

7.1 INSTALACIÓN BOMBA ICON-M233N

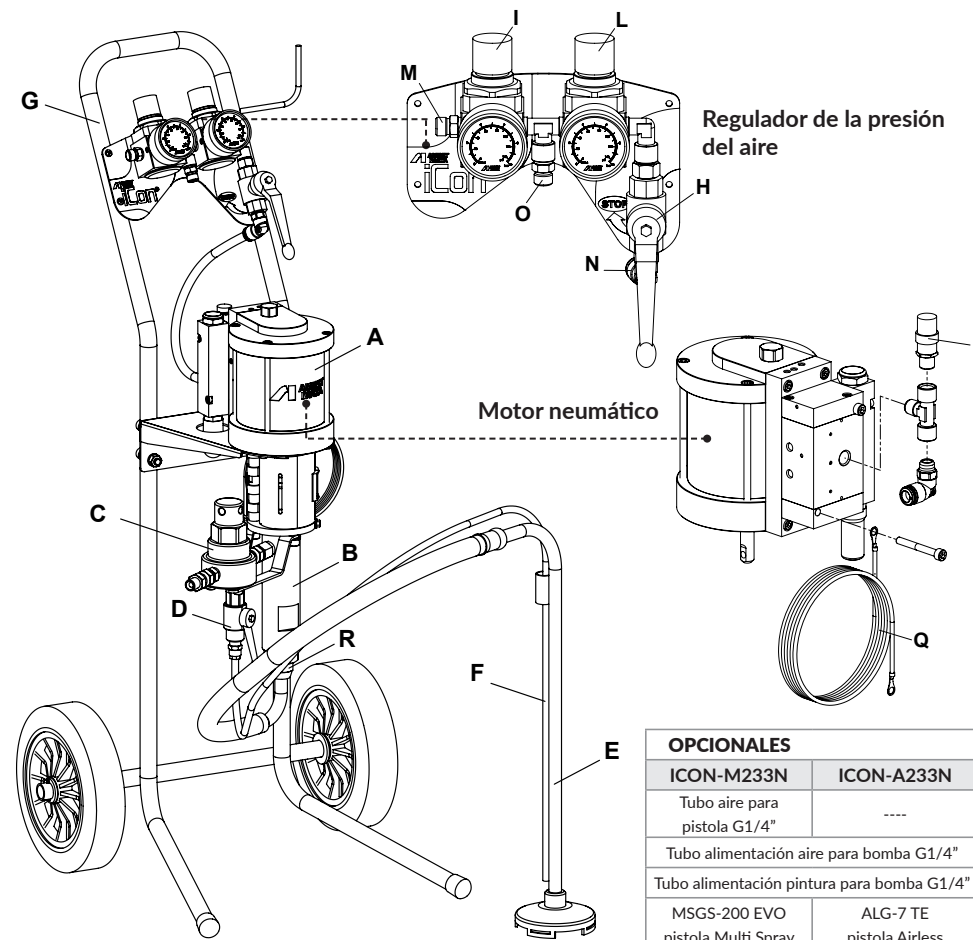
IMPORTANTE: véase la página siguiente para la lista de los componentes de configuración de la instalación.

1. Poner la instalación en una superficie plana horizontal.
2. Fijar firmamente el tubo de aspiración pintura (E) o la tolva al racor de entrada de la pintura de la bomba (R) el tubo de recirculación (F) a la válvula de descarga (D).
3. Conectar el tubo doble de la pintura y del aire al racor de alimentación de la pintura colocado en el filtro de la pintura en impulsión (C) y al racor de alimentación del aire del regulador de aire (M).
4. Conectar a tierra la extremidad libre del cable de tierra (Q) correctamente
5. Conectar los racores de alimentación de la pistola Multi Spray a la otra extremidad del aire y de la pintura del tubo doble.
6. Conectar el tubo de alimentación del aire (O) al racor de alimentación del aire de la instalación.

7.2 INSTALACIÓN BOMBA ICON-A233N

1. Poner la instalación en una superficie plana horizontal.
2. Fijar firmamente el tubo de aspiración pintura (E) o la tolva al racor de entrada de la pintura de la bomba (R) el tubo de recirculación (F) a la válvula de descarga (D).
3. Conectar el tubo de la pintura al racor de alimentación de la pintura colocado en el filtro de la pintura en impulsión (C).
4. Conectar a tierra la extremidad libre del cable de tierra (Q) correctamente
5. Conectar el racor de entrada de la pistola Airless al tubo de la pintura.
6. Conectar el tubo de alimentación del aire (O) al racor de alimentación del aire de la instalación.

7.3 CONFIGURACIÓN DE LA INSTALACIÓN



OPCIONALES	
ICON-M233N	ICON-A233N
Tubo aire para pistola G1/4"	----
Tubo alimentación aire para bomba G1/4"	
Tubo alimentación pintura para bomba G1/4"	
MSGS-200 EVO pistola Multi Spray	ALG-7 TE pistola Airless

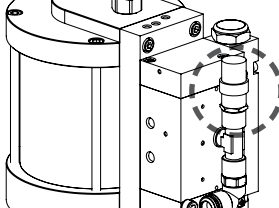
CONFIGURACIÓN PRINCIPAL

A	UNIDAD DE BOMBEO			I
Motor neumático				Regulador de presión del aire (para pistola)
B Vástago bomba				L Regulador de presión del aire (para bomba)
C Filtro pintura en impulsión TF-1S (100 mesh)				M Racor de alimentación del aire a la pistola
D Válvula de descarga				N Racor de alimentación del aire a la bomba
E Tubo de pesca	50 Mesh	G1/2"		O Entrada aire
F Tubo de recirculación 1.7 m - ø 6 x 8				P Válvula de seguridad
G Carrito				Q Cable de tierra 1.6 m
H Válvula de paro de emergencia				R Racor de impulsión pintura

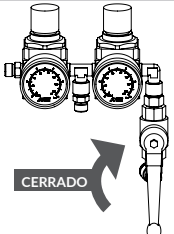

8. SISTEMAS DE SEGURIDAD

Varios sistemas de seguridad han sido concebidos durante el diseño y la fabricación de las unidades Airless y Multi Spray para proteger al operador, cumpliendo con la directiva EN 12621:2010 sobre la pintura.

8.1 VÁLVULA DE SEGURIDAD


	PARA EVITAR QUE LA PRESIÓN DE TRABAJO DE LA INSTALACIÓN LLEGUE A SER EXCESIVA EN EL CIRCUITO DE ALIMENTACIÓN, SE HA INSTALADO UNA VÁLVULA DE SEGURIDAD REGULADA A 8 BAR.
	¡CUIDADO! NO QUITAR LA PROTECCIÓN DE PLÁSTICO DE LA VÁLVULA. CUALQUIER ALTERACIÓN PODRÍA PONER EN PELIGRO AL OPERADOR PERJUDICANDO LA INTEGRIDAD Y EL FUNCIONAMIENTO CORRECTO DE LA INSTALACIÓN.

8.2 VÁLVULA DE PARO DE EMERGENCIA


	ADVERTENCIAS	
		EN CASO DE ANOMALÍAS DURANTE EL USO DE LA INSTALACIÓN, GIRAR DE 90° LA PALANCA DE PARO DE EMERGENCIA. DE ESTA MANERA, SERÁ POSIBLE INTERRUMPIR LA ALIMENTACIÓN Y DESCARGAR LA PRESIÓN RESIDUAL EN LA BOMBA.

9. PRODUCTOS QUE SE PUEDEN PROCESAR


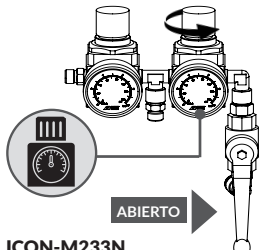
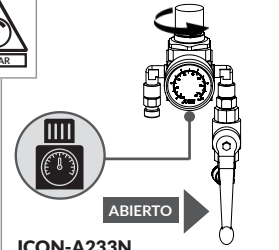
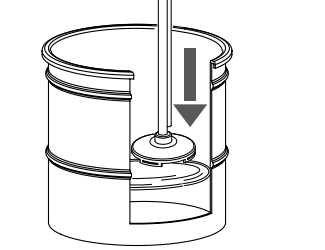
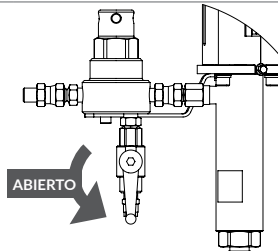
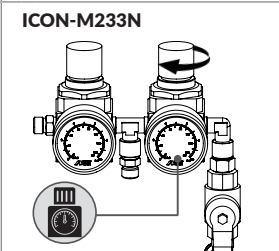
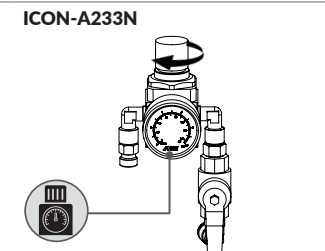
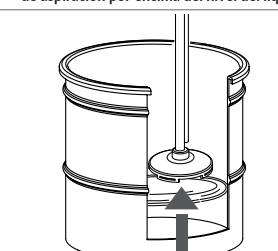
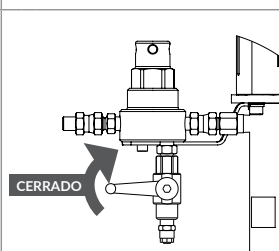
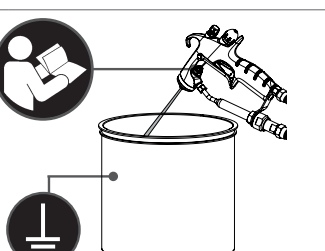
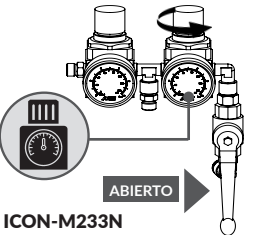
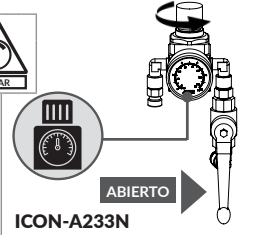
LAS BOMBAS ICON ANEST IWATA HAN SIDO DISEÑADAS PARA PINTAR MATERIAL FERROSO EN GENERAL, MADERA Y PLÁSTICO.

ADVERTENCIAS	PARA UTILIZAR LAS BOMBAS CON PRODUCTOS ESPECIALES, ES NECESARIA LA AUTORIZACIÓN DEL FABRICANTE. SE PROHIBE UTILIZAR:
	<ul style="list-style-type: none"> - DISOLVENTES HIDROCARBUROS HALOGENADOS COMO TRICLOROETANO, CLORURO DE METILENO U OTROS SIMILARES - PRODUCTOS ALTAMENTE TÓXICOS COMO BENCENO, KEROSENO O GASES COMBUSTIBLES. - HERBICIDAS O PESTICIDAS - FLUIDOS RADIATIVOS

10. USO

	ADVERTENCIAS
	CONECTAR A TIERRA LA UNIDAD, LA PISTOLA PULVERIZADORA, LAS PIEZAS A PINTAR Y LOS TANQUES DE LOS PRODUCTOS DE LIMPIEZA DE LA INSTALACIÓN DE MANERA CORRECTA. UTILIZAR EXCLUSIVAMENTE RECIPIENTES CONDUCTORES CONECTADOS A TIERRA. Una puesta a tierra insuficiente podría causar incendios o explosiones debido a las chispas producidas por la electricidad estática.

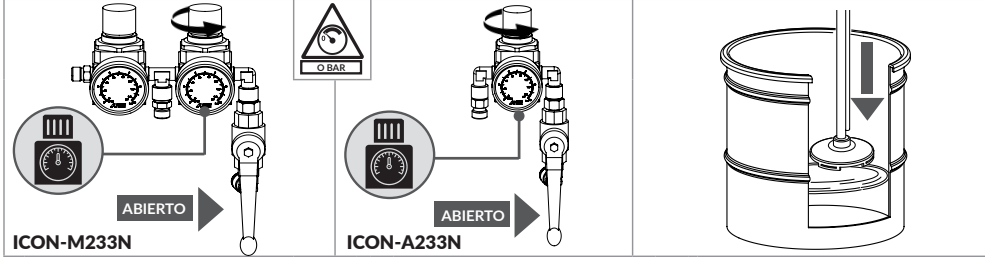
10.1 OPERACIONES DE LIMPIEZA ANTES DEL USO

		CUIDADO: SIEMPRE HAY QUE LIMPIAR LA BOMBA ANTES DEL PRIMER USO, CUANDO NO SE UTILICE DURANTE LARGO TIEMPO Y DESPUÉS DE CADA CAMBIO DE COLOR.
1	Después de la instalación (cap.7) y antes de suministrar aire a la instalación, cerciorarse de que la válvula de bola esté abierta y que el regulador indique 0 bar.	2 Sumergir el tubo de aspiración en el bidón que contiene líquido de limpieza.
		
3	Abbrir la válvula de descarga para la recirculación del fluido.	4 Regular el regulador de presión hacia arriba despacio, regulándolo a la presión mínima necesaria para el movimiento rectilíneo y alternado de la bomba.
		
5	Después del lavado, descargar el líquido sucio a través del tubo adecuado, levantando el tubo de aspiración por encima del nivel del líquido.	6 Cerrar la válvula de descarga.
		
8	Poner el regulador de aire a 0 bar.	
		

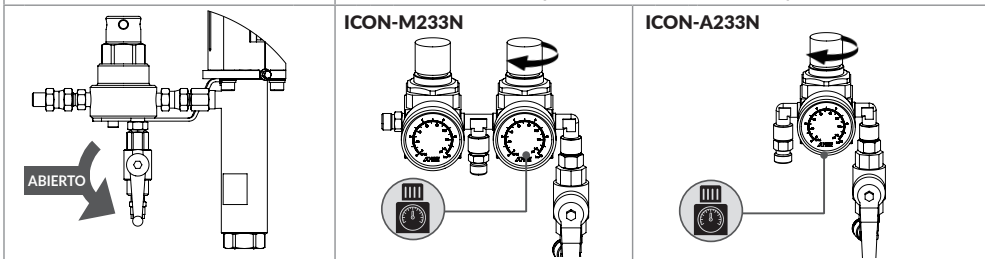
10.2 USO

ANTES DE UTILIZAR LA INSTALACIÓN, HAY QUE LEER SIEMPRE Y OBSERVAR ATENTAMENTE TODAS LAS ADVERTENCIAS INDICADAS EN EL MANUAL DE INSTRUCCIONES DE LA PISTOLA A UTILIZAR. MSGS-200 EVO (Multi Spray) o ALG-7 TE (Airless).

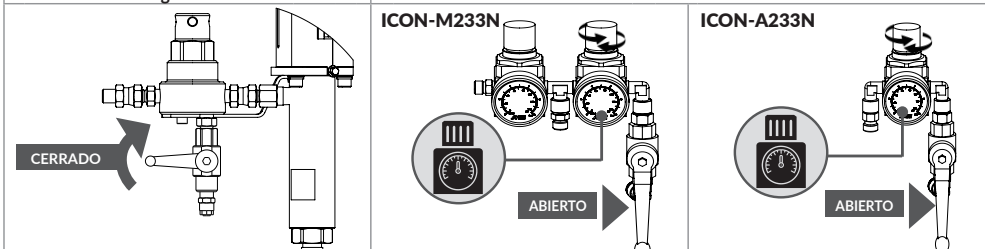
- 1** Después de las operaciones de limpieza (10.1) y antes de suministrar aire a la bomba, cerciorarse de que la válvula de bola esté abierta y que el regulador indique 0 bar. **2** Sumergir el tubo de aspiración en el bidón que contiene la pintura.



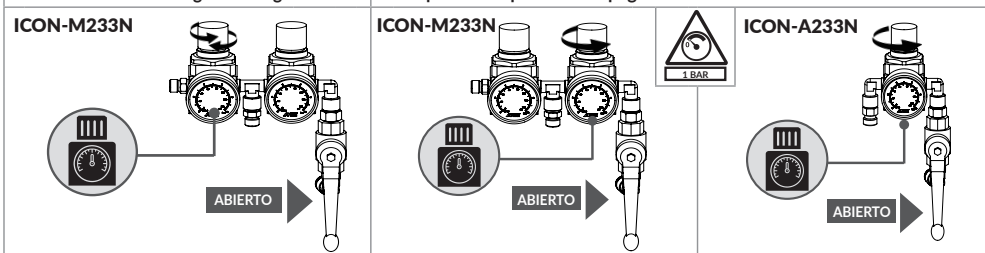
- 3** Abrir la válvula de descarga para la recirculación del fluido. **4** Regular el regulador de presión hacia arriba despacio, regulándolo a la presión mínima necesaria para el movimiento rectilíneo y alternado de la bomba.



- 5** Cerciorarse de que la pintura salga del tubo de recirculación y sucesivamente cerrar la válvula de descarga. **6** Ajustar el regulador de presión del aire, para obtener la presión de trabajo de atomización más adecuada según las exigencias.



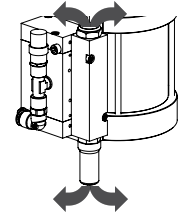
- 7** Ajustar el regulador de presión del aire, para obtener la presión de trabajo de atomización más adecuada según las exigencias. **8** Al final de las operaciones de pintura, regular el regulador de la presión del aire de la bomba debajo de 1 bar. A continuación, repetir las instrucciones del punto 5 al punto 8 a la página 93.



¡CUIDADO!



DURANTE EL FUNCIONAMIENTO, LA BOMBA EXPULSA AIRE DE LOS SILENCIADORES.
NO TOCAR NUNCA EL BLOQUEO DE DESCARGA MIENTRAS LA INSTALACIÓN ESTÁ FUNCIONANDO.



10.3 ESQUEMA DE INCREMENTO DE LA PRESIÓN DEL FLUIDO

Modelo	Relación	Ajuste Regulador de Aire	Incremento Presión del Fluido
ICON-M233N	30:1	0.3MPa (3bar - 43.5psi)	9.0MPa (90bar - 1305psi)
ICON-A233N		0.5MPa (5bar - 72.5psi)	15.0MPa (150bar - 2175psi)
		0.7MPa (7bar - 100psi)	21.0MPa (210bar - 3045psi)

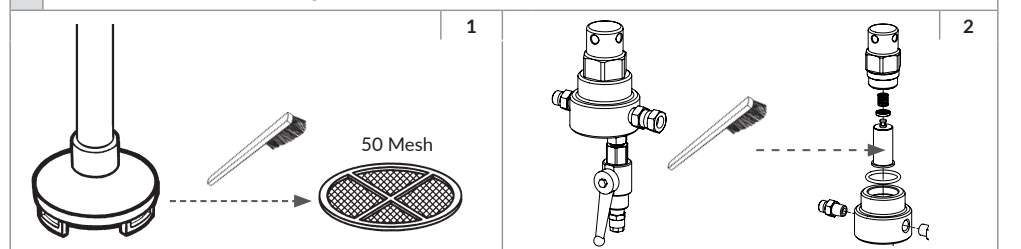
11. MANTENIMIENTO ORDINARIO

11.1 MANTENIMIENTO DIARIO

- 1** SIEMPRE LIMPIAR LA BOMBA después de cada uso y cambio de color.
2 VERIFICAR QUE NO HAYA PÉRDIDAS DE AIRE O PINTURA: Verificar que los tubos no estén dañados y que todas las secciones roscadas de los racores estén selladas adecuadamente, En caso de anomalías eventuales, efectuar la sustitución necesaria.

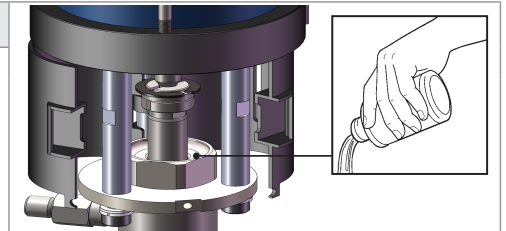
11.2 MANTENIMIENTO MENSUAL

- 1** INSPECCIONAR EL FILTRO DEL TUBO DE ASPIRACIÓN: verificar que el filtro no esté atascado o dañado. Si fuera necesario, limpiarlo o sustituirlo.
2 INSPECCIONAR EL FILTRO DE PINTURA EN IMPULSIÓN (TF-1S): verificar que el filtro no esté atascado o dañado. Si fuera necesario, limpiarlo o sustituirlo.

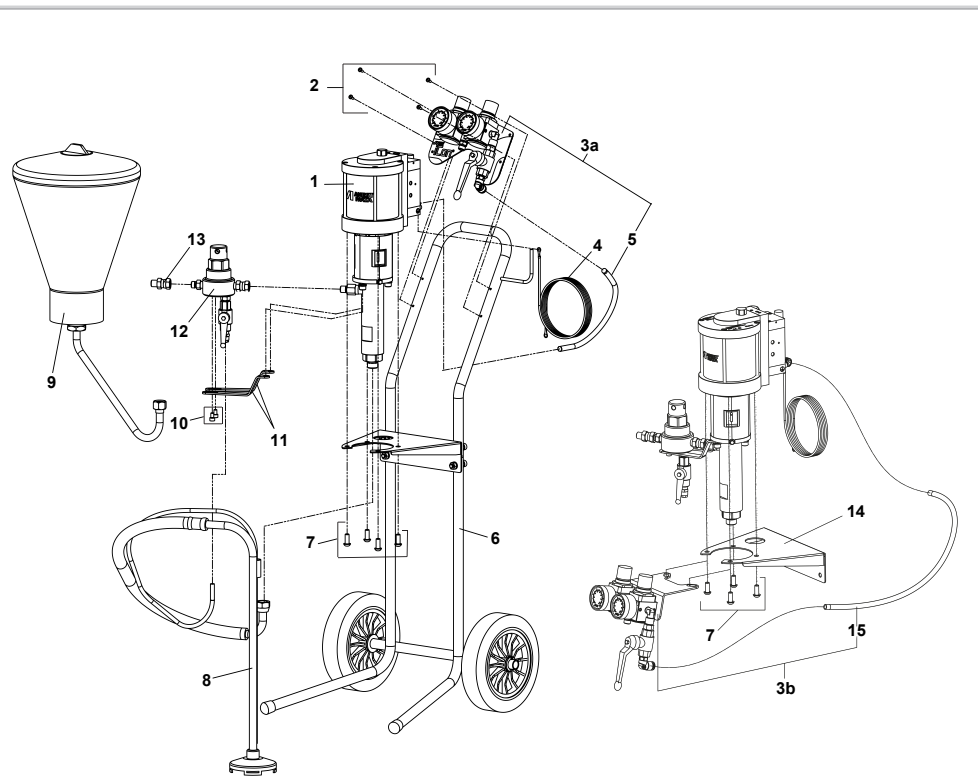


¡IMPORTANTE!

LA BOMBA ICON X3 HA SIDO DISEÑADA PARA FUNCIONAR CON PINTURA SIN LUBRICANTES. SIN EMBARGO, EN CASO DE USO INTENSIVO SE RECOMIENDA AÑADIR EL LUBRICANTE ANEST IWATA (94445770 - NO INCLUIDO) EN LA COPA DE REGISTRO PARA PROLONGAR LA VIDA DE LAS JUNTAS.

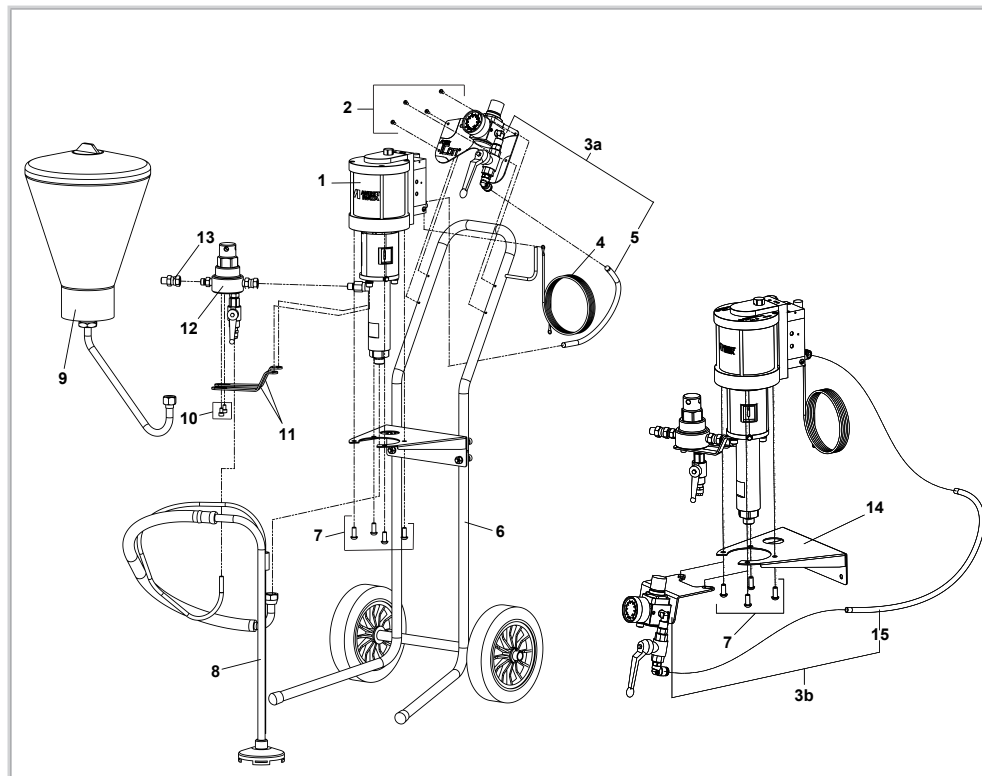


12. CONFIGURACIÓN UNIDAD ICON X3 modelo MULTISPRAY



Pos.	Código	Descripción
1	-	GRUPO DE BOMBEO (PP-3025N)
2	94444790	TORNILLO DE CABEZA REDONDA AGARRE HEXAGONAL (4 pza.)
3a	940188A0	GRUPO REGULADOR DEL AIRE para MODELO en CARRO
3b	940189A0	GRUPO REGULADOR DEL AIRE para ABRAZADERA de PARED
4	ME100001	GRUPO CABLE DE TIERRA
5	940157A0	TUBO DEL AIRE 0,3 m (para modelo en Carro)
6	940085A0	GRUPO CARRO
7	960055A0	GRUPO TORNILLOS DE CABEZA PLANA AGARRE HEXAGONAL M8x20 (4 pza.)
8	0101010000	GRUPO TUBO DE PESCA
9	04005510	GRUPO TOLVA 6 lt
10	960056A0	GRUPO TORNILLOS DE FIJACIÓN M6x10 (2 pza.)
11	940052A0	SOPORTE FILTRO
12	140002A0	GRUPO FILTRO DE PINTURA EN IMPULSIÓN TF-1S
13	94006030	ADAPTADOR G1/4"F - NPSM 1/4"M
14	940192A0	ABRAZADERA DE SUJECIÓN EN PARED
15	940060A0	TUBO DEL AIRE 0,5 m (para modelo en Abrazadera de Pared)

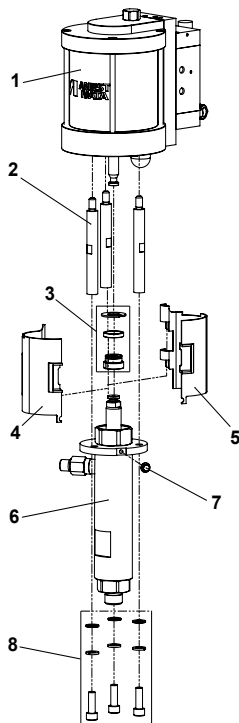
12. CONFIGURACIÓN UNIDAD ICON X3 modelo AIRLESS



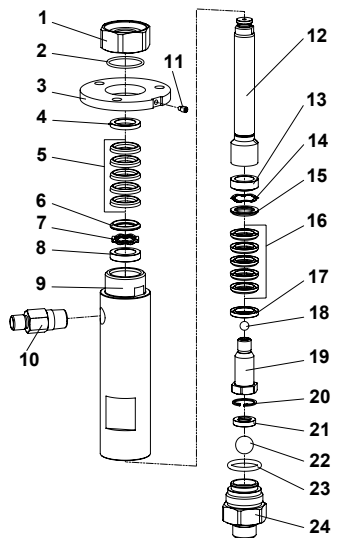
Pos.	Código	Descripción
1	-	GRUPO DE BOMBEO (PP-3025N)
2	94444790	TORNILLO DE CABEZA REDONDA AGARRE HEXAGONAL (4 pza.)
3a	940190A0	GRUPO REGULADOR DEL AIRE para MODELO en CARRO
3b	940191A0	GRUPO REGULADOR DEL AIRE para ABRAZADERA de PARED
4	ME100001	GRUPO CABLE DE TIERRA
5	940157A0	TUBO DEL AIRE 0,3 m (para modelo en Carro)
6	940085A0	GRUPO CARRO
7	960055A0	GRUPO TORNILLOS DE CABEZA PLANA AGARRE HEXAGONAL M8x20 (4 pza.)
8	0101010000	GRUPO TUBO DE PESCA
9	04005510	GRUPO TOLVA 6 lt
10	960056A0	GRUPO TORNILLOS DE FIJACIÓN M6x10 (2 pza.)
11	940052A0	SOPORTE FILTRO
12	140002A0	GRUPO FILTRO DE PINTURA EN IMPULSIÓN TF-1S
13	94006030	ADAPTADOR G1/4"F - NPSM 1/4"M
14	940192A0	ABRAZADERA DE SUJECIÓN DE PARED
15	940060A0	TUBO DEL AIRE 0,5 m (para modelo en Abrazadera de Pared)

12.1 GRUPO DE BOMBEO

Pos.	Código	Descripción
1	940000A0	GRUPO MOTOR NEUMÁTICO
2	940036A0	ÁRBOL DE CONEXIÓN
3	940193A0	GRUPO DE UNIÓN
4	940093A0	PROTECCIÓN (IZQ)
5	940094A0	PROTECCIÓN (DCHA.)
6	940014A0	GRUPO VÁSTAGO BOMBA
7	960047A0	TORNILLO DE FIJACIÓN AGARRE HEXAGONAL M5x12
8	940170A0	GRUPO TORNILLOS + ARANDELAS (3+3+3 pza.)



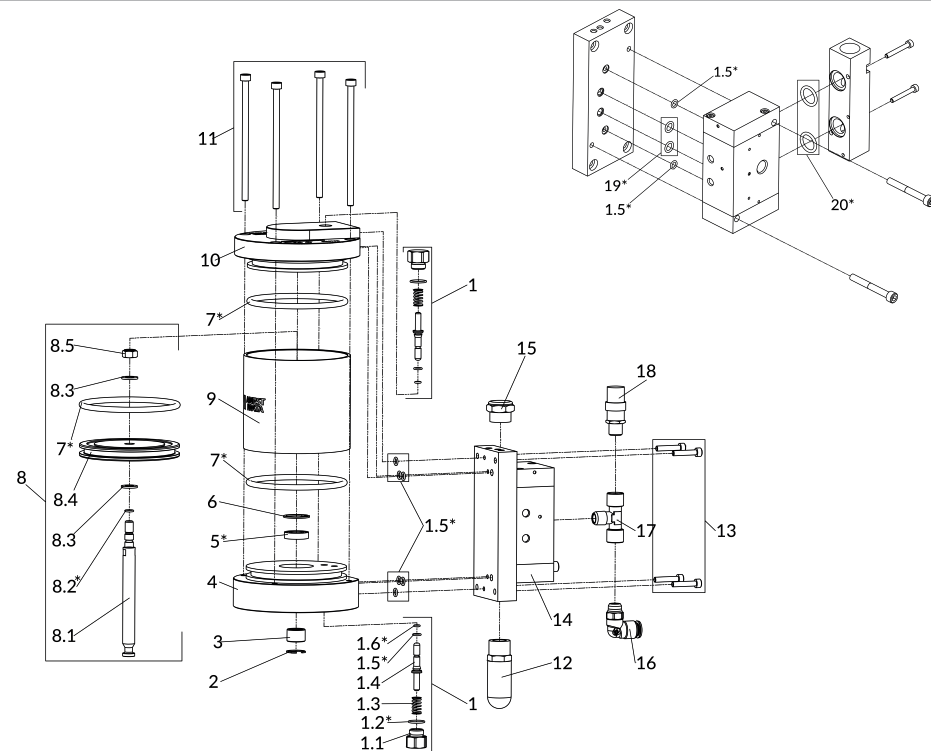
12.2 GRUPO VÁSTAGO BOMBA



Pos.	Código	Descripción
1	940031A0	COPA DE REGISTRACIÓN
2	960011A0	JUNTA TÓRICA 2.0-29.5
3	940112A0	BRIDA
4	940126A0	ADAPTADOR SUPERIOR a "V" (HEMBRA)
5	940069A0	GRUPO JUNTAS SUPERIORES a "V" (3 PE + 2 PTFE)
6	940123A0	ADAPTADOR SUPERIOR a "V" (MACHO)
7	940122A0	MUELLE MULTICAPA DE OLA
8	940121A0	ASIENTO MUELLE

Pos.	Código	Descripción
9	940015A0	CAMISA
10	940032A0	RACOR MATERIAL
11	960040A0	TAPÓN
12	940166A0	VÁSTAGO
13	940127A0	ASIENTO MUELLE
14	940128A0	MUELLE ONDULADO
15	940129A0	ADAPTADOR INFERIOR a "V" (MACHO)
16	940070A0	GRUPO JUNTAS INFERIORES a "V" (3 PE + 2 PTFE)
17	940132A0	ADAPTADOR INFERIOR a "V" (HEMBRA)
18	06662025	BOLA 5/16"
19	940021A0	VÁLVULA SUPERIOR
20	960014A0	ANILLO DE RETENCIÓN 20
21	04944770	JUNTA VÁLVULA
22	06662050	BOLA 5/8"
23	960015A0	JUNTA TÓRICA 3.53-23.39
24	940033A0	VÁLVULA INFERIOR

12.3 GRUPO MOTOR AIRE

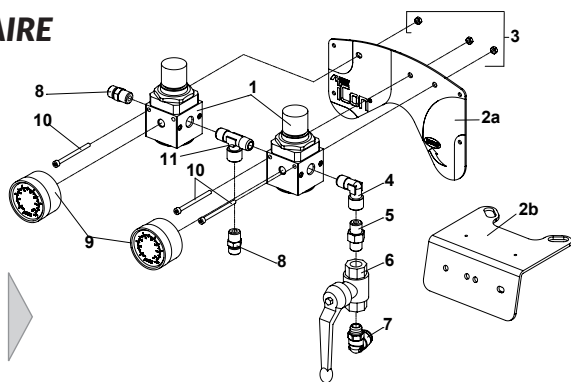
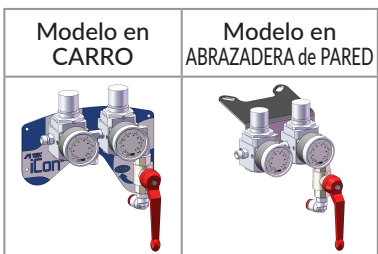


Pos.	Código	Descripción
1	940073A0	GRUPO VÁLVULA PILOTO
1.1	940007A0	CIERRE DE VÁLVULA
1.2*	96997009	JUNTA TÓRICA ø 1.5-13.5
1.3	940006A0	MUELLE
1.4	940005A0	PISTÓN
1.5*	96997003	JUNTA TÓRICA ø 1,5-5,5
1.6*	96997012	JUNTA TÓRICA ø 1.5-3.5
2	960000A0	ANILLO DE RETENCIÓN 18
3	940002A0	COJINETE
4	940001A0	MÓDULO INFERIOR
5*	960001A0	JUNTA EN "U"
6	960002A0	ANILLO DE RETENCIÓN 24
7*	960004A0	JUNTA TÓRICA ø 5.33-89.69
8	940065A0	GRUPO VÁSTAGO MOTOR
8.1	940159A0	VÁSTAGO MOTOR
8.2		
8.3		
8.4		
8.5		

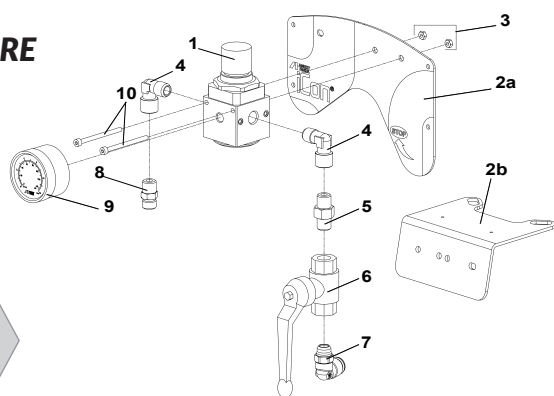
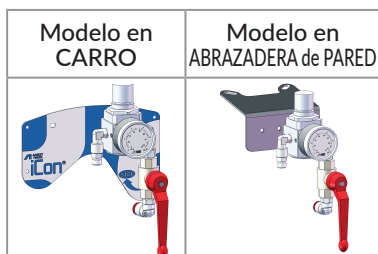
Pos.	Código	Descripción
8.3	06363080	ARANDELA
8.4	940004A0	PISTÓN
8.5	960003A0	TUERCA HEXAGONAL DE AUTOBLOQUEO
9	940008A0	CILINDRO
10	940010A0	MÓDULO SUPERIOR
11	960006A0	GRUPO TORNILLOS DE FIJACIÓN AGARRE HEXAGONAL M6x120 (4 pza.)
12	960010A0	SILENCIADOR
13	96350525	GRUPO TORNILLOS DE FIJACIÓN AGARRE HEXAGONAL M5x25 (4 pza.)
14	940174A0	VÁLVULA DE CAMBIO
15	04447820	FILTRO DE DESCARGA
16	UL300309	RACOR ACODADO
17	UL30030000	RACOR EN "T"
18	UL30036000	VÁLVULA DE SEGURIDAD
19*	060031A0	JUNTA TÓRICA ø 1.78 - 7.65
20*	060008A0	JUNTA TÓRICA ø 2.62 - 15.54
(*)	940072A0	GRUPO JUNTA TÓRICA NEUMÁTICO & VÁLVULA DE CAMBIO

12.4 GRUPO REGULADORES DE AIRE

GRUPO REGULADOR DE AIRE de Unidad Multi Spray



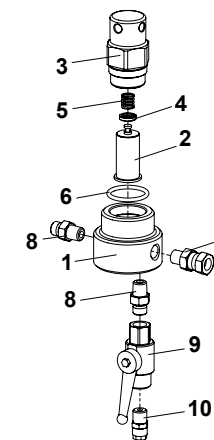
GRUPO REGULADOR DE AIRE de Unidad Airless



Pos.	Código	Descripción	Cantidad	
			M233N	A233N
1	UI00070001	REGULADOR DE AIRE	2	1
2a	940156A0	PLACA REGULADOR DE AIRE (para modelo en Carro)	1	1
2b	UL00005201	PLACA REGULADOR DE AIRE (para modelo en Abrazadera de Pared)	1	1
3	UL300700	TUERCA HEXAGONAL M4	3	2
4	UL300201	RACOR EN "L"	1	2
5	UL300101	RACOR	1	1
6	UL30034901	VÁLVULA DE DOS VÍAS CON AGUJERO DE DESCARGA	1	1
7	UL300309	RACOR ACODADO	1	1
8	UL30010501	RACOR ESPECIAL R1/4" - G1/4"	2	1
9	02004003	MANÓMETRO (bar - psi)	2	1
10	06350455	TORNILLO DE FIJACIÓN AGARRE HEXAGONAL M4x55	3	2
11	UL300303	RACOR EN "T"	1	0

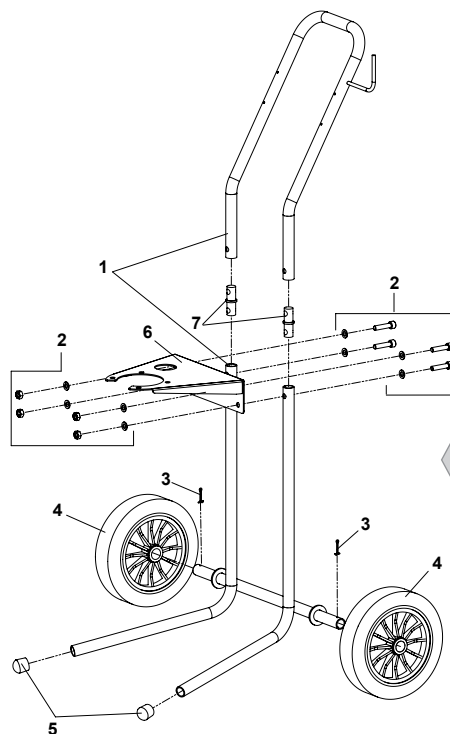
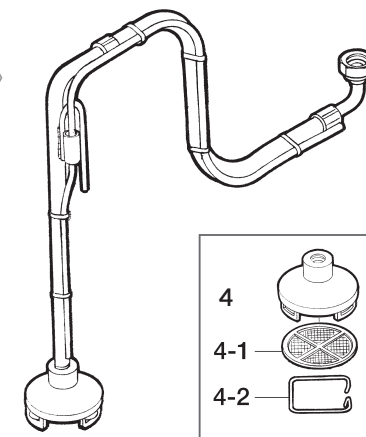
12.5 FILTRO PINTURA EN IMPULSIÓN TF-1S

Pos.	Código	Descripción
1	940053A0	CUERPO FILTRO
2	VFM2704	FILTRO 100 MESH
3	940054A0	CILINDRO
4	940055A0	ASIENTO MUELLE
5	940056A0	MUELLE FILTRO
6	960021A0	JUNTA TÓRICA 3.53-32.92
7	96859022	RACOR GIRATORIO R1/4"M - G1/4"F
8	UL300462	RACOR G1/4" - R1/4"
9	UL30090100	VÁLVULA DE DESCARGA DE DOS VÍAS
10	UL300302	RACOR PORTATUBO



12.6 GRUPO DE TUBO DE PESCA

Pos.	Código	Descripción
4	UL10000701	FILTRO COMPLETO
4-1	0040720100	FILTRO 50 MESH
4-2	00407203	MUELLE DE BLOQUEO FILTRO



12.7 GRUPO CARRO

Pos.	Código	Descripción
1	940113A0	ESTRUCTURA CARRO
2	940169A0	GRUPO TORNILLOS DE FIJACIÓN + TUERCAS + ARANDELAS (4+4+8 pz.)
3	UL300811	PASADOR PARTIDO
4	UL200001	RUEDA
5	960019A0	PIES DE GOMA
6	940192A0	ABRAZADERA DE PARED
7	940089A0	MANGUITO DE CONEXIÓN

13. PROBLEMAS, CAUSAS Y SOLUCIONES



INCONVENIENTE	CAUSA	INSPECCIÓN	SOLUCIÓN
1 La presión del aire no aumenta.	a La válvula no está en la posición correcta.	a Verificar que la válvula de bola esté en la posición correcta.	a Regular la válvula de vola en la posición correcta.
	b El regulador de aire no está abierto.	b Verificar el correcto funcionamiento del regulador de aire.	b Si estuviera cerrado, abrirlo. Si estuviera dañado, sustituirlo.
	c La presión del aire es insuficiente.	c Verificar el correcto funcionamiento del manómetro del regulador del aire.	c Si el compresor no suministra aire a una presión suficiente, sustituirlo con otro de mayor caudal.
2 La pintura no sale de la pistola	a El filtro de la pintura o el circuito de la pintura está atascado.	a Abriendo la válvula de recirculación, la pintura no sale.	a El circuito de la pintura está bloqueado de la entrada de la bomba hasta el empalme del tubo material. Verificar el circuito de la pintura y eliminar el material que obstruye el paso.
		a1 Abriendo la válvula de descarga, la pintura sale normalmente pero tirando el gatillo de la pistola no.	a1 El recorrido de la pintura está bloqueado del racor del tubo material al pico de la pistola. Verificar el punto de obstrucción y eliminar el atasco. Normalmente este problema es causado por la obstrucción del filtro de la pistola. *Véase el manual de la pistola utilizada para resolver el problema.
	b Pico obturado.	b Quitar el pico y presionar el gatillo de la pistola. Si la pintura sale el pico está obturado.	b * Véase el manual de la pistola utilizada para resolver el problema.
	c Paro de seguridad bloqueado.		c Desbloquear el paro de seguridad.
3 La bomba no funciona.	a La bomba no es alimentada con aire.	a Inspeccionar el tubo de alimentación del aire a la bomba.	a Sustituir si está dañada o bloqueada.
	b La bomba sufre un problema técnico.	b Separar el motor neumático del grupo de bombeo y probarlo utilizando un tubo del aire diferente.	b Si el motor funciona correctamente, seguir las indicaciones relativas a las soluciones indicadas en el punto 2 (a-b).
			c Si el motor no funciona correctamente, desmontar el cilindro e inspeccionarlo. En caso de anomalías especiales, enviarlo a nuestro servicio de Asistencia Técnica.
4 La bomba no se para.	a Ha entrado aire en los pasajes de la pintura.	a Cerciorarse de que el tubo de pesca esté conectado correctamente	a Apretar el racor del tubo de pesca.

13. PROBLEMAS, CAUSAS Y SOLUCIONES


INCONVENIENTE	CAUSA	INSPECCIÓN	SOLUCIÓN
4 La bomba no se para.	b El aire se queda en los pasajes de la pintura.	b Cerciorarse de que la pintura esté en buenas condiciones y de que el tubo de pesca esté completamente sumergido en el producto a bombear.	b Si la pintura está en condiciones normales, aumentar su nivel hasta que sumerja por lo menos el tubo de pesca. Sucesivamente efectuar las operaciones de arranque relativas a la descarga del aire en los pasajes de la pintura.
	c Los asientos y las bolas (en el vástago de la bomba) están rotos o dañados.	c Desmontar el vástago de la bomba y verificar las condiciones de los asientos y de las bolas.	c Limpiarlos si residuos de pintura solidificada que daran en los mismos o sustituirlos si estuvieran dañados irreparablemente.
	d Las juntas en "V" (en el vástago de la bomba) están rotas o dañadas.	d Desmontar el vástago de la bomba y verificar las condiciones de las juntas en "V".	d Limpiarlas si residuos de pintura solidificada que daran en los mismos o sustituir las si estuvieran dañadas irreparablemente.
	e Pérdidas de los pasajes de pintura.	e Inspeccionar todos los pasajes de la pintura.	e En caso de pérdidas, eliminarlas.
5 La dimensión del abanico varía continuamente.	f La válvula de descarga no está cerrada.		f Cerrar la válvula de descarga.
	a Las juntas en "V" (en el vástago de la bomba) están sucias o dañadas.	a Desmontar el vástago de la bomba y verificar las condiciones de las juntas en "V".	a Limpiarlas si residuos de pintura solidificada que daran en los mismos o sustituir las si estuvieran dañadas irreparablemente.
	b Las juntas y las bolas (en el vástago de la bomba) están sucias o dañadas.	b Desmontar el vástago de la bomba y verificar las condiciones de los asientos y de las bolas.	b Limpiarlos si residuos de pintura solidificada que daran en los mismos o sustituirlos si estuvieran dañados irreparablemente.
	c El pico de la pistola está desgastado.		c Sustituirlo.
6 El indicador del manómetro indica la presencia de presión aunque el regulador de aire está cerrado.	d El filtro del circuito de la pintura está atascado.		d Véase punto (2 - a).
	a Regulador del aire dañado.		a Sustituirlo.

Prezado Cliente,
Agradecemos pela preferência que nos deu e temos o prazer de contar consigo entre os nossos clientes.
Esperamos que a utilização deste equipamento satisfaça você e o seu pessoal.





1. INFORMAÇÕES IMPORTANTES

IMPORTANTE	Este manual é uma parte integrante da instalação e tem que ser lido atentamente antes de efetuar qualquer operação que inclui a ativação, o ajuste, a manutenção, bem como a sua manipulação. O presente manual tem que ser guardado em um lugar seguro para qualquer eventual futura consulta. Assegurar-se de respeitar sempre as advertências e as precauções contidas neste manual de instruções. No caso contrário, poderia verificar-se a expulsão da tinta de alta pressão com conseqüentes danos físicos causados pelos solventes orgânicos.
	
CE  II 2 G T6 X	As unidades ICON ANEST IWATA Airless e Multi Spray estão em conformidade com as normas ATEX 2014/34/EU; • Nível de proteção: II 2G T6 • Grupo do equipamento: II • Categoria: Gás 2G (Adequadas para uso em áreas 1 e 2) • Área: Gás 1 • Temperatura superficial máxima: classe de temperatura T6.









RESPEITAR SEMPRE AS ADVERTÊNCIAS E AS PRECAUÇÕES CONTIDAS NESTE MANUAL DE INSTRUÇÕES


	ADVERTÊNCIAS	NÍVEL DE PERIGO	CONSEQUÊNCIAS
	ADVERTÊNCIAS CUIDADO	SITUAÇÃO POTENCIALMENTE PERIGOSA	RISCOS GRAVES PARA A SAÚDE E A VIDA RISCOS MODERADOS


2. ADVERTÊNCIAS DE SEGURANÇA

 ADVERTÊNCIAS	RISCOS DE INCÊNDIOS E EXPLOSÕES
	A PRESENÇA DE CHAMAS LIVRES E A PRODUÇÃO DE FAÍSCAS É SEVERAMENTE PROIBIDA. As tintas podem ser muito inflamáveis e provocar graves incêndios. Evitar qualquer ação que poderia provocar incêndios, como fumar, fazer faíscas ou utilizar equipamentos elétricos não adequados.
	LIGAR CORRETAMENTE AO FIO DE TERRA A UNIDADE ATRAVÉS DO CABO DE TERRA INCLUIDO: 1,6 m - terminal do cabo Ø 6,5. Resistência elétrica: >1MΩ. Controlar este valor periodicamente. Assegurar-se de que a bomba, a pistola, o objeto a ser pintado e os recipientes das tintas ou dos solventes sejam corretamente ligados ao fio de terra. Uma ligação não adequada ou insuficiente ao fio de terra poderia causar incêndios ou explosões provocados por faíscas produzidas pela eletricidade estática.
	NUNCA UTILIZAR SOLVENTES HIDROCARBONETOS HALOGENADOS, que poderiam causar danos e derretimento das peças de alumínio provocados por reações químicas. OS SOLVENTES INCOMPATÍVEIS SÃO OS SEGUINTE: Cloreto de Metileno, Diclorometano, 1,2-Dicloroetano, Tetracloreto de Carbono, Tricloroetileno, 1.1.1-Tricloroetano. ASSEGURAR-SE DE QUE TODOS OS MATERIAIS E OS SOLVENTES SEJAM COMPATÍVEIS COM TODAS AS PEÇAS DA INSTALAÇÃO. A empresa poderá fornecer-lhe uma lista dos materiais utilizados no produto.

ADVERTÊNCIAS	RISCOS DE USO IMPRÓPRIO
	NUNCA APONTAR A PISTOLA PARA O CORPO HUMANO OU DE ANIMAIS. NUNCA PUXAR O GATILHO DA PISTOLA, QUANDO AS PARTES DO CORPO OU OS DEDOS ESTIVEREM PERTO DO BICO. Ao contrário, poderiam verificar-se riscos de lesões físicas para os olhos e para a pele ou lesões no corpo. Se ocorrer qualquer distúrbio físico durante as fases de trabalho, consultar imediatamente um médico. NUNCA ULTRAPASSAR A MÁXIMA PRESSÃO OU A MÁXIMA TEMPERATURA DE UTILIZAÇÃO. A utilização a uma pressão superior ao limite máximo poderia causar a explosão da bomba com conseqüente grave perigo. ASSEGURAR-SE DE DESCARREGAR SEMPRE A PRESSÃO DO AR E DO MATERIAL ANTES DAS OPERAÇÕES DE LIMPEZA, DESMONTAGEM OU MANUTENÇÃO. Ao contrário, a pressão residual poderia provocar lesões no corpo, causadas por operações não corretas ou por dispersão dos líquidos usados para a limpeza. Para descarregar a pressão, fechar antes a alimentação do ar da bomba.

 ADVERTÊNCIAS	RISCOS PARA A SAÚDE E A PROTEÇÃO DO CORPO
	UTILIZAR SEMPRE A INSTALAÇÃO NA CABINE DE PINTURA COM UMA CORRETA VENTILAÇÃO. Uma ventilação não adequada poderia provocar uma intoxicação por solventes orgânicos ou causar incêndios. Se ocorrer qualquer distúrbio físico durante as fases de trabalho, consultar imediatamente um médico.
   	VESTIR SEMPRE ROUPA DE PROTEÇÃO (óculos de proteção, máscara, luvas). Ao contrário, os produtos para a limpeza poderiam provocar inflamação aos olhos e à pele. Caso houvesse também o risco mais leve de dano físico para os olhos ou a pele, consultar imediatamente um médico. O nível de ruído da pistola ANEST IWATA não ultrapassa o valor de pressão acústica ponderada (A) de 85 dB (A), relativa ao risco de exposição diária ao ruído. Em todo o caso, é sempre recomendada a utilização de proteções individuais para o ouvido, dado que as condições de utilização e a influência de outros ruídos presentes na área de trabalho poderiam aumentar o seu valor médio permitido.
	ASSEGURAR-SE DE BLOQUEAR A BOMBA, REDUZIR A PRESSÃO DO AR E DO FLUIDO A "0 bares" E ACIONAR O BLOQUEIO DE SEGURANÇA DA PISTOLA ANTES DA MONTAGEM OU DA DESMONTAGEM DO BICO.
	Para as paradas de emergência, quando a distância entre a pistola e a instalação de bombeamento é muito ampla, recomenda-se uma válvula de esferas para fechar o envio da tinta na entrada da pistola.
 	NUNCA TENTAR PARAR OS VAZAMENTOS DE TINTA MANUALMENTE. Em caso de vazamentos, parar imediatamente a bomba e reduzir a pressão da mesma a 0 bares. A tinta de alta pressão poderia causar graves feridas no corpo. Se ocorrer qualquer distúrbio físico durante as fases de trabalho, consultar imediatamente um médico.
	A utilização constante da pistola de pintura que prevê uma pressão manual prolongada no gatilho da pistola, poderia provocar a síndrome do túnel do carpo. EM CASO DE FADIGA NAS MÃOS, INTERROMPER AS OPERAÇÕES DE PINTURA PARA UMA BREVE PAUSA.

ADVERTÊNCIAS	OUTRAS PRECAUÇÕES
	NUNCA ALTERAR A INSTALAÇÃO. Ao contrário, poderiam ocorrer mau funcionamento ou em casos extremos, explosões.
	NUNCA ENTRAR NAS ÁREAS DE TRABALHO DOS EQUIPAMENTOS EM FUNÇÃO (ROBÔS, RECÍPROCOS, ETC.) ATÉ ESTAS NÃO TIVEREM SIDO DESATIVADAS. O contato com estes equipamentos em movimento poderia provocar graves lesões.
	NUNCA UTILIZAR A INSTALAÇÃO PARA PULVERIZAR ALIMENTOS OU PRODUTOS QUÍMICOS. Ao contrário, as substâncias corrosivas contidas nos próprios produtos poderiam provocar a corrosão das passagens do material, implicando graves riscos para a saúde e danos na instalação.
	EM CASO DE MAUS FUNCIONAMENTOS, INTERROMPER IMEDIATAMENTE AS OPERAÇÕES DE PINTURA PARA PROCURAR A AVARIA. Não utilizar novamente o equipamento até o problema não for resolvido.
	NUNCA UTILIZAR OUTROS COMPONENTES OU PEÇAS DE REPOSIÇÃO QUE NÃO SEJAM ORIGINAIS DA ANEST IWATA.

ADVERTÊNCIAS	RISCO DE EXPLOSÃO DA TUBULAÇÃO DA TINTA
	NÃO USAR TUBULAÇÕES DO FLUIDO RACHADAS, DANIFICADAS, DOBRADAS OU ESMAGADAS. A tinta de alta pressão emitida através de um furo pequeno poderia perfurar uma chapa de ferro e provocar danos sérios. NÃO DOBRAR AS TUBULAÇÕES DO MATERIAL COM UM RAIO INFERIOR AO PERMITIDO. Contatar o vendedor ou diretamente a nossa empresa para conhecer o raio de curvatura mais adequado. Não apoiar objetos pesados nas tubulações para evitar danificá-las. Ao contrário, as mesmas poderiam explodir provocando danos sérios.

3. MANUAIS de CONSULTA

Código manual	Modelo	Descrição
040057A0	ICON-M233N/ ICON-A233N	Bomba ICON
W5MSG5	MSG5-200 EVO	Pistola Multi Spray
MJ T080-00	ALG-7 TE WB	Pistola Airless

CONFIGURAÇÃO DA BOMBA iCon "MULTI SPRAY"

ICON M233N-S

Grupo bomba montado em CARRINHO com TUBO DE IMERSÃO

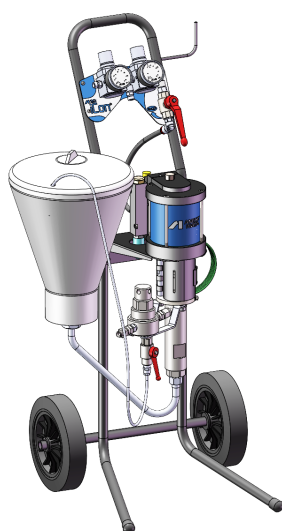
2 reguladores de pressão do ar (1 por bomba e 1 por pistola)
 Unidade do filtro da tinta em envio TF-1S (100 mesh)
 Tubo de imersão com filtro (50 mesh)
 Tubo de recirculação da tinta
 Dimensões (LxWxH): 495 x 450 x 965 mm - Peso 16 Kg



ICON M233N-H

Grupo bomba montado em CARRINHO com TREMONHA

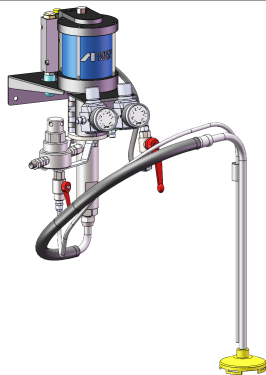
2 reguladores de pressão do ar (1 por bomba e 1 por pistola)
 Unidade do filtro da tinta em envio TF-1S (100 mesh)
 Tremonha (6 l.) com filtro (50 mesh)
 Tubo de recirculação da tinta
 Dimensões (LxWxH): 495 x 550 x 965 mm - Peso 16 Kg



ICON M233N-SWM

Grupo bomba montado em ABRAÇADEIRA de PAREDE com TUBO DE IMERSÃO

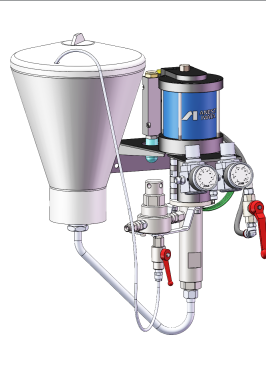
2 reguladores de pressão do ar (1 por bomba e 1 por pistola)
 Unidade do filtro da tinta em envio TF-1S (100 mesh)
 Tubo de imersão com filtro (50 mesh)
 Tubo de recirculação da tinta
 Dimensões (LxWxH): 380 x 320 x 515 mm - Peso 11Kg



ICON M233N-HWM

Grupo bomba montado em ABRAÇADEIRA de PAREDE com TREMONHA

2 reguladores de pressão do ar (1 por bomba e 1 por pistola)
 Unidade do filtro da tinta em envio TF-1S (100 mesh)
 Tremonha (6 l.) com filtro (50 mesh)
 Tubo de recirculação da tinta
 Dimensões (LxWxH): 380 x 420 x 515 mm - Peso 11Kg



CONFIGURAÇÃO DA BOMBA iCon "AIRLESS"

ICON A233N-S

Grupo bomba montado em CARRINHO com TUBO DE IMERSÃO

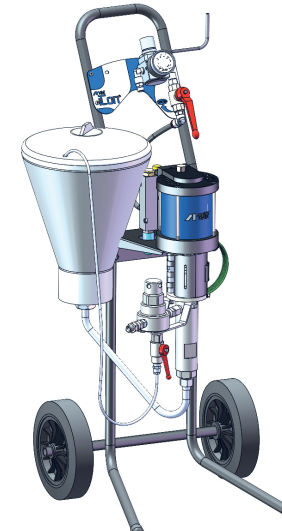
Regulador de pressão do ar
 Unidade do filtro da tinta em envio TF-1S (100 mesh)
 Tubo de imersão com filtro (50 mesh)
 Tubo de recirculação da tinta
 Dimensões (LxWxH): 495 x 450 x 965 mm - Peso 16 Kg



ICON A233N-H

Grupo bomba montado em CARRINHO com TREMONHA

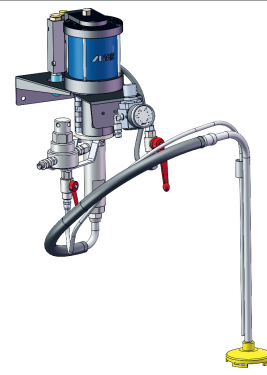
Regulador de pressão do ar
 Unidade do filtro da tinta em envio TF-1S (100 mesh)
 Tremonha (6 l.) com filtro (50 mesh)
 Tubo de recirculação da tinta
 Dimensões (LxWxH): 495 x 550 x 965 mm - Peso 16 Kg



ICON A233N-SWM

Grupo bomba montado em ABRAÇADEIRA de PAREDE com TUBO DE IMERSÃO

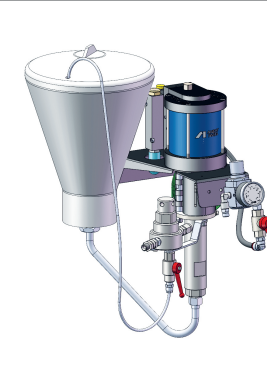
Regulador de pressão do ar
 Unidade do filtro da tinta em envio TF-1S (100 mesh)
 Tubo de imersão com filtro (50 mesh)
 Tubo de recirculação da tinta
 Dimensões (LxWxH): 380 x 320 x 515 mm - Peso 11Kg



ICON A233N-HWM

Grupo bomba montado em ABRAÇADEIRA de PAREDE com TREMONHA

Regulador de pressão do ar
 Unidade do filtro da tinta em envio TF-1S (100 mesh)
 Tremonha (6 l.) com filtro (50 mesh)
 Tubo de recirculação da tinta
 Dimensões (LxWxH): 380 x 420 x 515 mm - Peso 11Kg

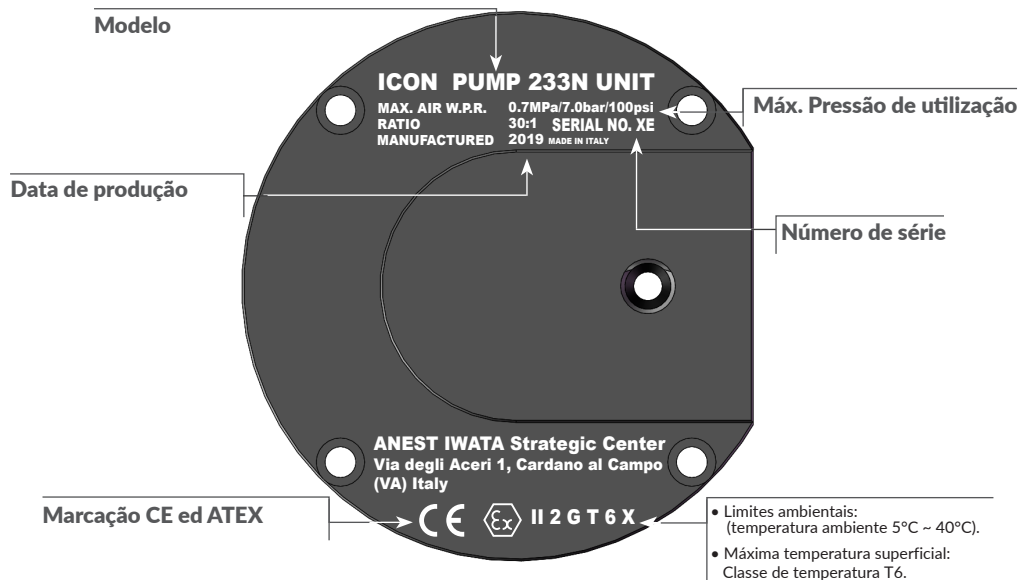


4. DADOS TÉCNICOS

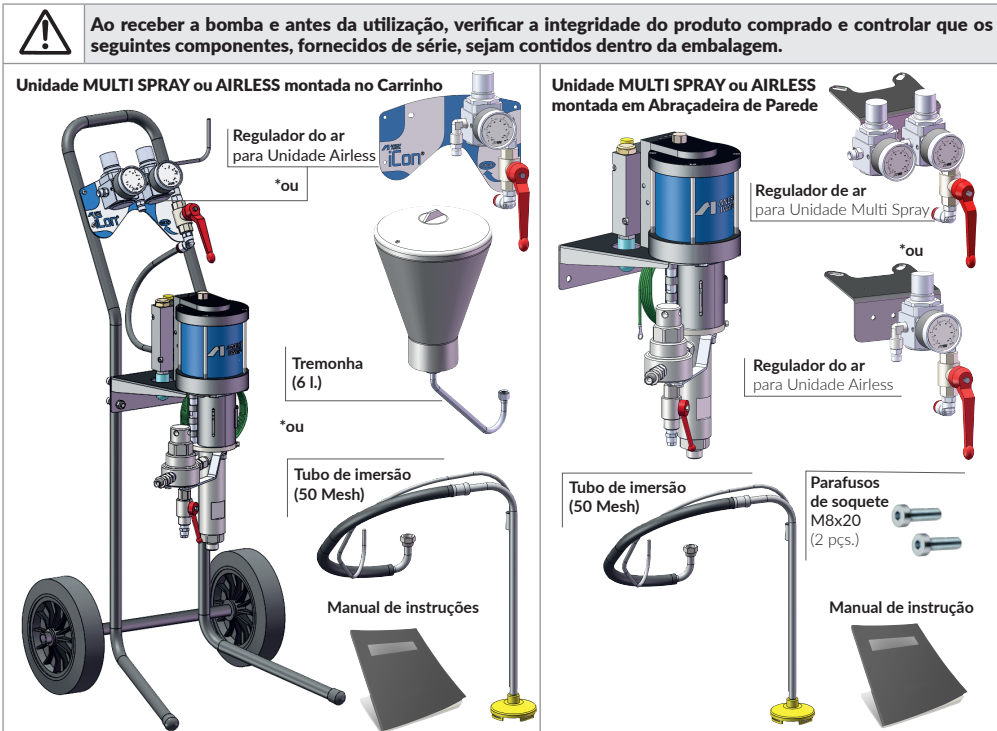
VERSÕES		ICON-M233N	ICON-A233N
Unidade de bombeamento:		PP-3025N	
Diâmetro do cilindro motor:		100 mm	
Filtro da tinta:	Filtro da tinta	TF-1S (100 Mesh)	
	Filtro da tinta em aspiração	50 Mesh	
Máx. pressão de utilização do material:		210 bares (21 MPa)	
Máx. pressão de entrada do ar:		7.0 bares (0.7 MPa)	
Relação de pressão:		30:1	
Temperatura de utilização:		5°~40° C	
Nível de ruído:		84.7 dB(A)	
Consumo de ar:		110 NI/min. a 30 cyc/min.	
Capacidade do material:	Máx. volume por ciclo	25 ml	
	Máx. volume/minutos	2.5 l/min.	
Máx. Número de ciclos por minuto		100 cyc	
Material das passagens da tinta		Conjunto do filtro da tinta: Corpo: AISI303 - Filtro: AISI304/Poliamida	
		Conjunto do tubo de imersão: Tubulação flexível: Borracha Tubulação rígida, Filtro e Junções: AISI304	
		Haste da bomba: Principalmente: AISI303 - PE - PTFE	

5. IDENTIFICAÇÃO DO PRODUTO

DADOS DA PLACA: Em todas as unidades Multi Spray e Airless são serigrafados os dados de identificação do fabricante (veja-se a figura). Estas informações não devem absolutamente ser removidas, mesmo no caso em que o equipamento seja vendido. Para qualquer comunicação com o fabricante indicar sempre o número de série impresso na própria bomba.



6. CONTEÚDO DA EMBALAGEM



6.1 TRANSPORTE E MOVIMENTAÇÃO

Para o transporte do equipamento não é possível utilizar outros sistemas salvos aqueles a seguir indicados. É indispensável em todo o caso assegurar-se de que o meio de transporte e de içamento utilizado seja capaz de suportar o peso da instalação completa de embalagem.

ADVERTÊNCIAS	MANTER SEMPRE A EMBALAGEM NA POSIÇÃO VERTICAL.
	É OPORTUNO QUE O PESSOAL ENCARREGADO DA MANIPULAÇÃO DA CARGA TRABALHE COM LUVAS DE PROTEÇÃO E SAPATOS CONTRA ACIDENTES.
	AO LEVANTAR OU MOVIMENTAR O EQUIPAMENTO OU UMA QUALQUER PARTE DO MESMO, EVACUAR A ÁREA DAS OPERAÇÕES, CONSIDERANDO TAMBÉM UMA ÁREA DE SEGURANÇA SUFICIENTE AO REDOR DA MESMA A FIM DE EVITAR DANOS A PESSOAS OU OBJETOS EVENTUALMENTE PRESENTES NO RAIO DE MANOBRA.

6.2 MOVIMENTAÇÃO E ESTOCAGEM

O EQUIPAMENTO É INSERIDO EM UMA EMBALAGEM DE PAPELÃO, EMBRULHADO COM MATERIAL À PROVA DE CHOQUE.

ADVERTÊNCIAS	PARA A MOVIMENTAÇÃO DA EMBALAGEM UTILIZAR EXCLUSIVAMENTE UM CARRINHO.
	RESPEITAR O INDICADO NA EMBALAGEM ANTES DE EFETUAR A SUA MOVIMENTAÇÃO E ABERTURA.
	NA FASE DE TRANSPORTE E ESTOCAGEM ASSEGURAR-SE DE QUE NÃO SEJAM ULTRAPASSADAS AS TEMPERATURAS COMPREENDIDAS ENTRE 0 e 40° C. CASO O EQUIPAMENTO TENHA QUE SER ARMAZENADO, ASSEGURAR-SE DE QUE NÃO SEJA COLOCADA EM LUGARES COM UMA UMIDADE EXCESSIVA.

7. MONTAGEM

⚠️ ADVERTÊNCIAS	PRECAUÇÕES DE SEGURANÇA
	PARA ASSEGURAR O CORRETO FUNCIONAMENTO DA INSTALAÇÃO E DOS SEUS DISPOSITIVOS DE SEGURANÇA, A BOMBA TEM QUE SER MONTADA POR PESSOAL QUALIFICADO.
	A CONFIGURAÇÃO ORIGINAL DA BOMBA NÃO DEVE ABSOLUTAMENTE SER MODIFICADA.
	LIGAR CORRETAMENTE AO FIO DE TERRA A BOMBA E A PISTOLA, ATRAVÉS DE UMA TUBULAÇÃO CONDUTIVA DO MATERIAL E O CABO DE TERRA FORNECIDO JUNTAMENTE À INSTALAÇÃO.
	VERIFICAR O CORRETO APERTO DE TODAS AS JUNÇÕES, DADO QUE A SUA IMPROVISA ABERTURA PODERIA CAUSAR LESÕES GRAVES DO PESSOAL ENCARREGADO DA PINTURA.
	LER ATENTAMENTE E RESPEITAR AS ADVERTÊNCIAS DE SEGURANÇA DO MANUAL DE INSTRUÇÕES DAS PISTOLAS A SEREM UTILIZADAS. ICON-M233N: MSGS-200 EVO / ICON-A233N: ALG7 TE
	ANTES DE EFETUAR A MONTAGEM DA BOMBA, CONFIGURAR O REGULADOR DO AR E DO MATERIAL A 0 bares.
	AS PARTES EM MOVIMENTO DA BOMBA PODERIAM AMPUTAR OS DEDOS OU FERIR GRAVEMENTE O CORPO HUMANO. DURANTE O FUNCIONAMENTO DA BOMBA É ABSOLUTAMENTE PROIBIDO ABRIR OS DISPOSITIVOS DE PROTEÇÃO DE SEGURANÇA OU INTRODUIR OS DEDOS NO INTERIOR.

7.1 MONTAGEM DA BOMBA ICON-M233N

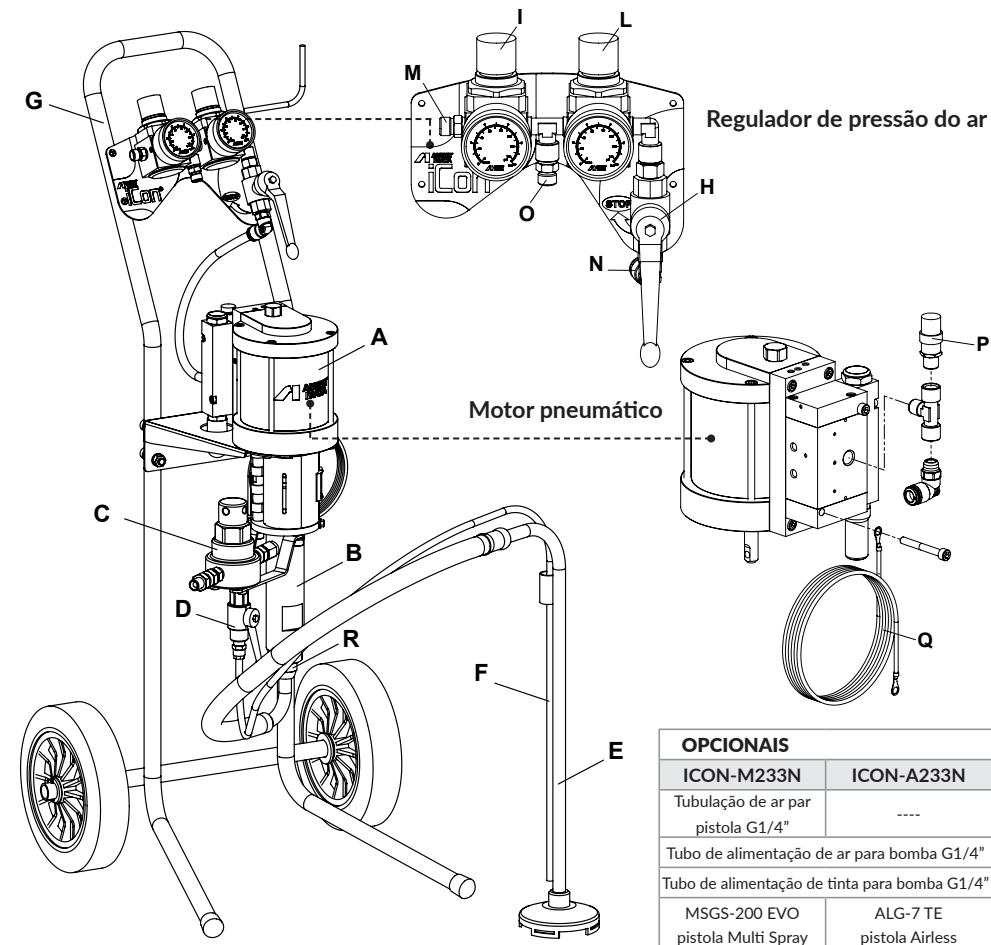
IMPORTANTE: consultar a página seguinte para a lista das peças da configuração da instalação.

1. Posicionar a instalação em uma superfície plana horizontal.
2. Ligar firmemente o tubo de aspiração da tinta (E) ou a tremonha à junção de entrada da tinta da bomba (R) e o tubo de recirculação (F) à válvula de descarga (D).
3. Ligar a tubulação dupla da tinta e do ar à junção de alimentação da tinta situada no filtro da tinta em envio (C) e à junção de alimentação do ar do regulador do ar (M).
4. Ligar ao fio de terra corretamente a extremidade livre do cabo de terra (Q).
5. Ligar a outra extremidade da tubulação dupla ar/tinta às junções de entrada da pistola Multi Spray.
6. Ligar o tubo de alimentação do ar (O) à junção de alimentação do ar da instalação.

7.2 MONTAGEM DA BOMBA ICON-A233N

1. Posicionar a instalação em uma superfície plana horizontal.
2. Ligar firmemente o tubo de aspiração da tinta (E) ou a tremonha à junção de entrada da tinta da bomba (R) e o tubo de recirculação (F) à válvula de descarga (D).
3. Ligar a tubulação da tinta à junção de alimentação da tinta situada no filtro da tinta em envio (C).
4. Ligar ao fio de terra corretamente a extremidade livre do cabo de terra (Q).
5. Ligar a tubulação da tinta à junção de entrada da pistola Airless.
6. Ligar o tubo de alimentação do ar (O) à junção de alimentação do ar da instalação.

7.3 CONFIGURAÇÃO da INSTALAÇÃO



OPCIONAIS	
ICON-M233N	ICON-A233N
Tubulação de ar para pistola G1/4"	----
Tubo de alimentação de ar para bomba G1/4"	
Tubo de alimentação de tinta para bomba G1/4"	
MSGS-200 EVO pistola Multi Spray	ALG-7 TE pistola Airless

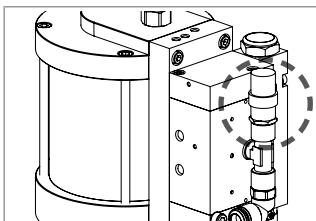
CONFIGURAÇÃO PRINCIPAL

A	Motor pneumático	UNIDADE DE BOMBEAMENTO		I	Regulador de pressão do ar (para pistola)
B	Haste da bomba			L	Regulador de pressão do ar (para bomba)
C	Filtro da tinta em envio TF-1S (100 mesh)			M	Junção de alimentação do ar à pistola
D	Válvula de descarga			N	Junção de alimentação do ar à bomba
E	Tubo de imersão	50 Mesh	G1/2"	O	Entrada do ar
F	Tubo de recirculação 1.7 m - ø 6 x 8			P	Válvula de segurança
G	Carrinho			Q	Cabo de terra 1.6 m
H	Válvula de parada de segurança			R	Junção de entrada da tinta

8. SISTEMAS DE SEGURANÇA

Vários sistemas de segurança foram concebidos durante o projeto e a produção da unidade Multi Spray e Airless para salvaguardar o operador, em conformidade com a Diretiva EN 12621:2010 sobre a tinta.

8.1 VÁLVULA DE SEGURANÇA

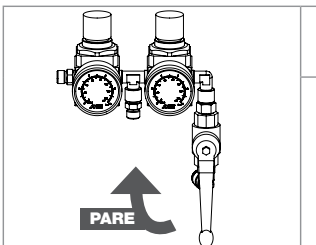


PARA GARANTIR QUE A PRESSÃO DE UTILIZAÇÃO DA INSTALAÇÃO NÃO ULTRAPASSE PERIGOSAMENTE O LIMITE NO CIRCUITO DE ALIMENTAÇÃO, FOI MONTADA UMA VÁLVULA DE SEGURANÇA CALIBRADA A 8 BARES.



CUIDADO! NÃO REMOVER A PROTEÇÃO DE PLÁSTICO DA VÁLVULA. QUALQUER ALTERAÇÃO PODERIA PROVOCAR PERIGO PARA O OPERADOR E PREJUDICAR A INTEGRIDADE E O CORRETO FUNCIONAMENTO DA INSTALAÇÃO.

8.2 VÁLVULA PARA A PARADA DE EMERGÊNCIA



ADVERTÊNCIAS



EM CASO DE ANOMALIAS DURANTE A UTILIZAÇÃO DA INSTALAÇÃO, GIRAR DE 90° A ALAVANCA DE PARADA DE EMERGÊNCIA. ASSIM SERÁ POSSÍVEL INTERROMPER A ALIMENTAÇÃO DA UNIDADE E DESCARREGAR A PRESSÃO RESÍDUA DENTRO DA BOMBA.

9. PRODUTOS QUE PODEM SER TRABALHADOS

AS BOMBAS ICON ANEST IWATA SÃO CONCEBIDAS PARA A PINTURA DE MATERIAL FERROSO EM GERAL, MADEIRA E TIPOS DE PLÁSTICO.

ADVERTÊNCIAS

PARA A UTILIZAÇÃO DAS BOMBAS COM PRODUTOS ESPECIAIS É NECESSÁRIA A APROVAÇÃO DO FABRICANTE.

É PROIBIDO UTILIZAR:

- SOLVENTES HIDROCARBONETOS HALOGENADOS, COMO TRICLOROETANO, CLORETO DE METILENO OU SEMELHANTES;
- PRODUTOS MUITO TÓXICOS COMO BENZENO, QUEROSENE OU GASES COMBUSTÍVEIS
- HERBICIDAS OU PESTICIDAS
- FLUIDOS RADIOATIVOS



10. UTILIZAÇÃO



ADVERTÊNCIAS

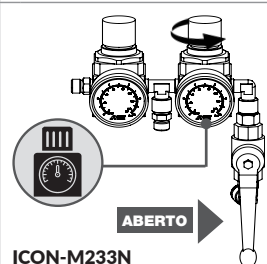
LIGAR AO FIO DE TERRA CORRETAMENTE A UNIDADE, A PISTOLA PARA PINTURA, AS PEÇAS A SEREM PINTADAS E OS DEPÓSITOS QUE CONTÊM OS PRODUTOS PARA A LIMPEZA DA INSTALAÇÃO. UTILIZAR EXCLUSIVAMENTE RECIPIENTES CONDUTIVOS LIGADOS AO FIO DE TERRA. Uma ligação ao fio de terra insuficiente poderia causar incêndios ou explosões devido a faíscas produzidas pela eletricidade estática.

10.1 LIMPEZA ANTES DA UTILIZAÇÃO

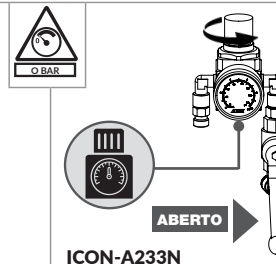


CUIDADO! A BOMBA TEM QUE SER SEMPRE LIMPA ANTES DA PRIMEIRA UTILIZAÇÃO, QUANDO NÃO É UTILIZADA POR LONGO TEMPO E APÓS CADA MUDANÇA DE COR.

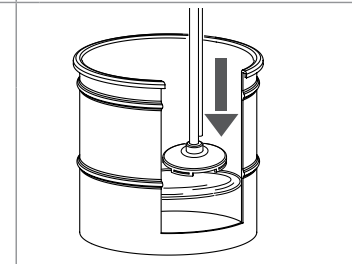
- 1 Após a montagem (cap.7) e antes de dar ar à instalação, verificar que a válvula esférica esteja aberta e o regulador seja ajustado a 0 bares.
- 2 Imergir o tubo de aspiração no baril, que contém líquido de limpeza.



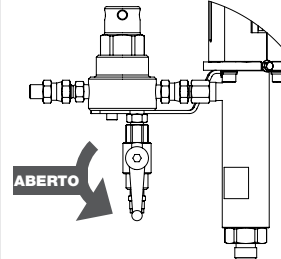
ICON-M233N



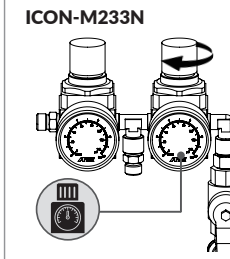
ICON-A233N



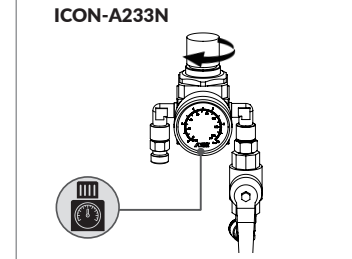
- 3 Abrir a válvula de descarga para a recirculação do fluido.
- 4 Ajustar lentamente para cima o regulador de pressão, configurando-o à mínima pressão pedida para o movimento rectilíneo e alternado da bomba.



ABERTO

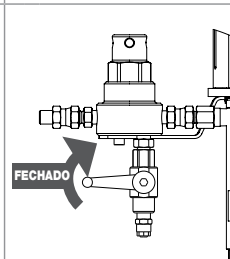
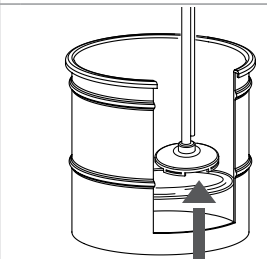


ICON-M233N

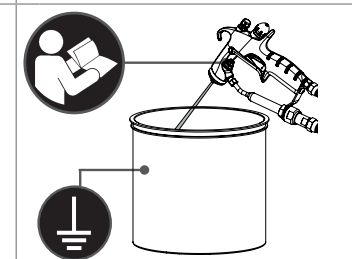


ICON-A233N

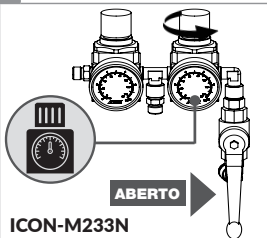
- 5 Após a lavagem, descarregar o detergente usado através do tubo de descarga, levantando o tubo de aspiração além do nível do líquido
- 6 Fechar a válvula de descarga.
- 7 Fazer defluir o líquido de limpeza da pistola.



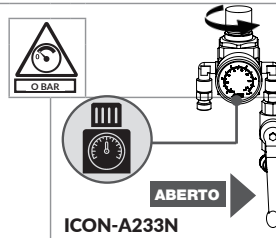
FECHADO



- 8 Configurar o regulador de ar a 0 bares.



ICON-M233N

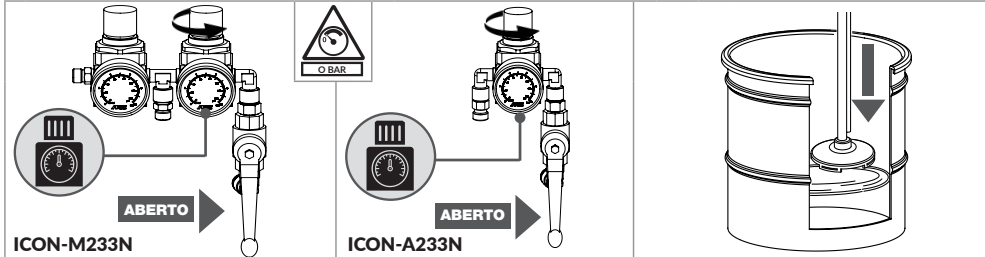


ICON-A233N

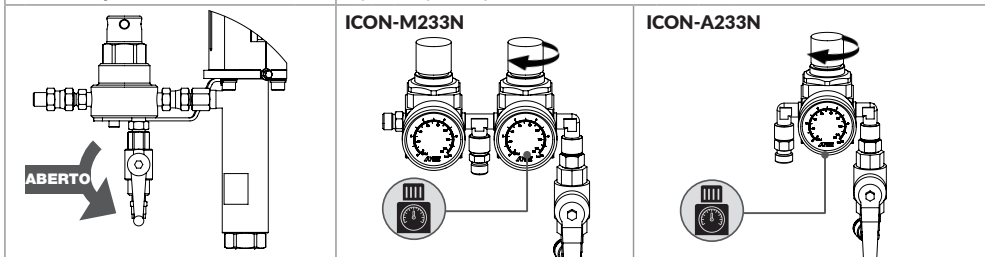
10.2 UTILIZAÇÃO

IMPORTANTE! ANTES DA UTILIZAÇÃO DA INSTALAÇÃO É IMPORTANTE LER SEMPRE E RESPEITAR ATENTAMENTE TODAS AS ADVERTÊNCIAS CONTIDAS NO MANUAL DE INSTRUÇÕES DA PISTOLA A SER UTILIZADA. MSGS-200 EVO (Multi Spray) ou ALG-7 TE (Airless).

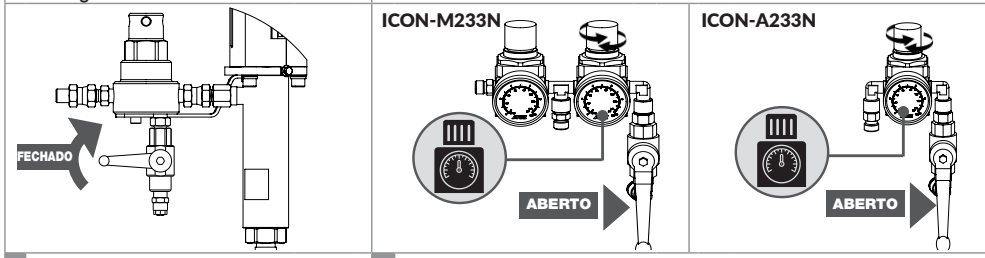
- 1** Após a limpeza (cap.7) e antes de dar ar à bomba, verificar que a válvula esférica esteja aberta e o regulador seja ajustado a 0 bares **2** Imergir o tubo de aspiração no barril, que contém a tinta.



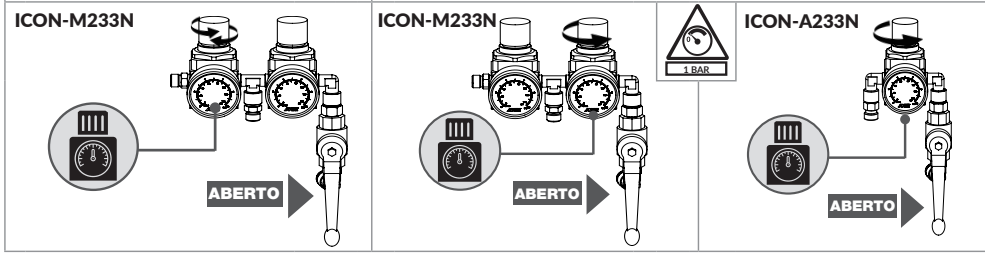
- 3** Abrir a válvula de descarga para a recirculação do fluido. **4** Ajustar lentamente para cima o regulador de pressão, configurando-o à mínima pressão pedida para o movimento retilíneo e alternado da bomba.



- 5** Assegurar-se de que a tinta saia do tubo de recirculação, depois fechar a válvula de descarga. **6** Calibrar o regulador de pressão do ar, para obter a pressão de utilização do material mais adequada às próprias necessidades.



- 7** Calibrar o regulador de pressão do ar, para obter a pressão de atomização mais adequada às próprias necessidades. **8** No fim das operações de pintura configurar o regulador de pressão do ar da bomba abaixo de 1 bar, depois repetir as instruções do ponto 5 ao ponto 8 à página 113.

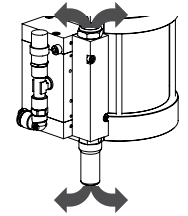


CUIDADO!



DURANTE O FUNCIONAMENTO A BOMBA DESCARREGA AR DOS SILENCIADORES.

NÃO TOCAR NO BLOCO DE DESCARGA, QUANDO A INSTALAÇÃO ESTIVER EM FUNCIONAMENTO.



10.3 ESQUEMA DE AUMENTO DA PRESSÃO DO FLUIDO

Modelo	Relação	Configuração Regulador Ar	Aumento Pressão Fluido
ICON-M233N	30:1	0.3MPa (3bares - 43.5psi)	9.0MPa (90bares - 1305psi)
ICON-A233N		0.5MPa (5bares - 72.5psi)	15.0MPa (150bares - 2175psi)
		0.7MPa (7bares - 100psi)	21.0MPa (210bares - 3045psi)

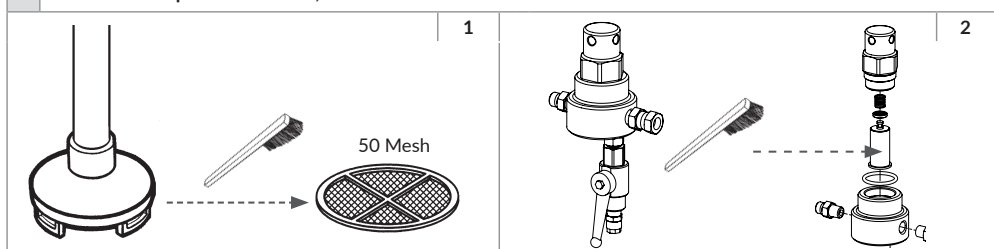
11. MANUTENÇÃO ORDINÁRIA

11.1 MANUTENÇÃO DIÁRIA

- 1** LIMPAR SEMPRE A BOMBA após cada utilização e após cada mudança de cor.
- 2** VERIFICAR QUE NÃO ESTEJAM PRESENTES VAZAMENTOS DE AR OU DE TINTA: Controlar que as tubulações não sejam danificadas e que todas as seções roscadas das junções sejam corretamente seladas. Substituir imediatamente em caso de eventuais anomalias.

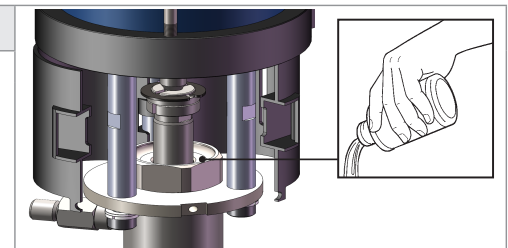
11.2 MANUTENÇÃO MENSAL

- 1** CONTROLAR O FILTRO DO TUBO DE ASPIRAÇÃO: verificar que não haja entupimentos ou danificações do mesmo. Limpar ou substituir, se for necessário.
- 2** CONTROLAR O FILTRO DA TINTA EM ENVIO (TF-15): verificar que não haja entupimentos ou danificações do mesmo. Limpar ou substituir, se for necessário.

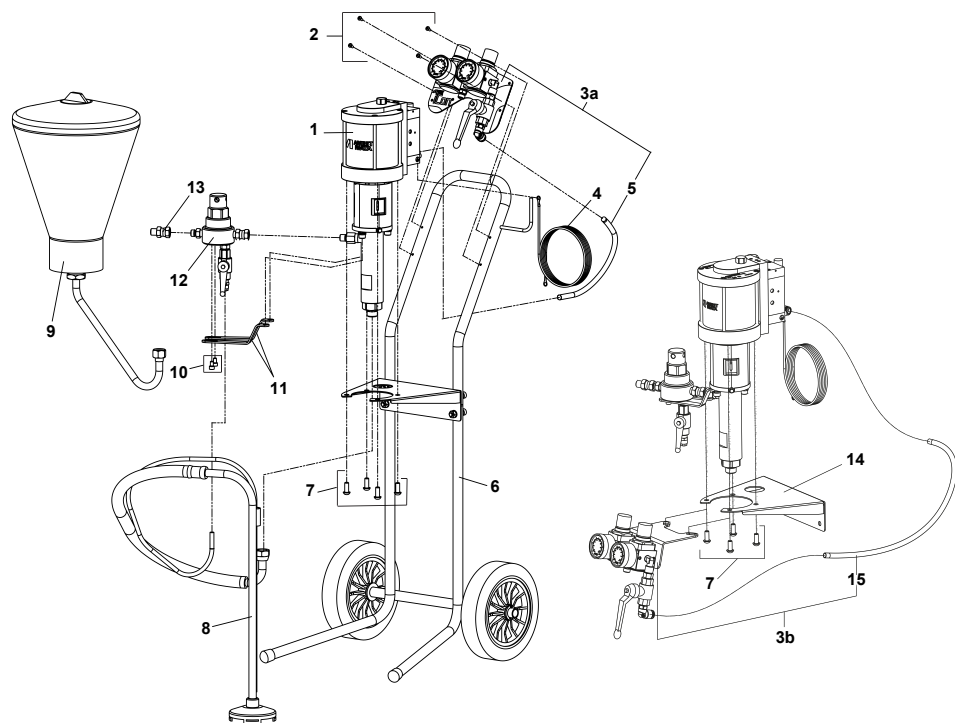


IMPORTANTE!

A BOMBA ICON X3 FOI CONCEBIDA PARA FUNCIONAR COM AS TINTAS SEM A NECESSIDADE DE LUBRIFICANTE. CONTUDO, EM CASO DE UTILIZAÇÃO INTENSIVA, RECOMENDA-SE ADICIONAR O LUBRIFICANTE ANEST IWATA (94445770 - NÃO INCLUÍDO) NO COPO DE AJUSTE PARA PROLONGAR A DURABILIDADE DAS VEDAÇÕES.

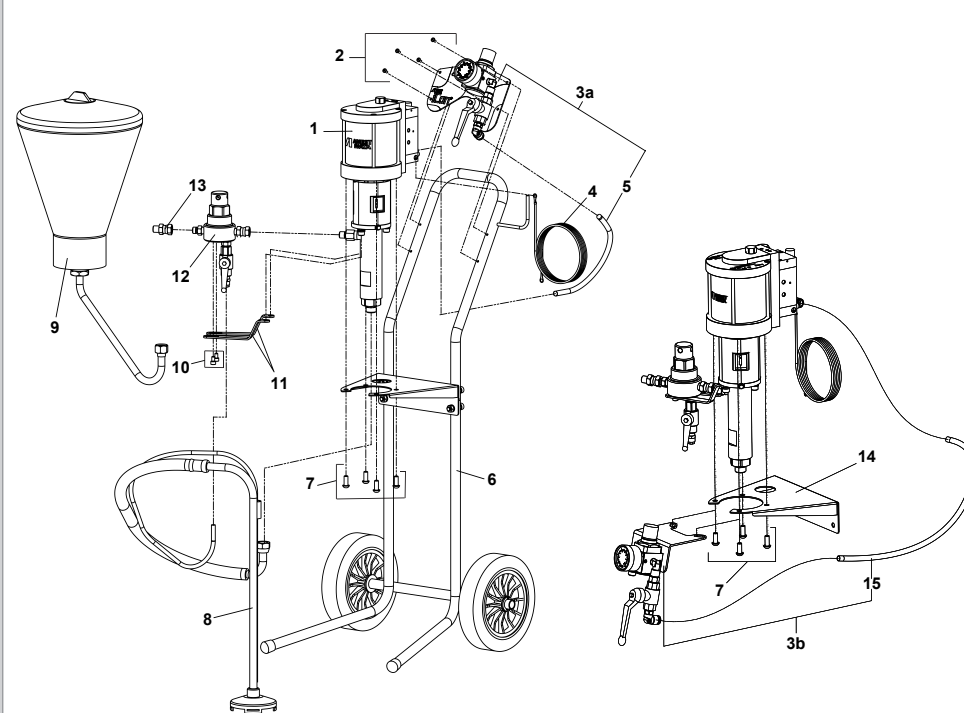


12. CONFIGURAÇÃO DA BOMBA Icon X3 versão MULTI SPRAY



Pos.	Código	Descrição
1	-	CONJUNTO DO GRUPO DE BOMBEAMENTO (PP-3025N)
2	94444790	PARAFUSO SEXTAVADO INTERNO COM CABEÇA DE BOTÃO (4 pçs.)
3a	940188A0	CONJUNTO REGULADOR DO AR para VERSÃO em CARRINHO
3b	940189A0	CONJUNTO REGULADOR DO AR para ABRAÇADEIRA de PAREDE
4	ME100001	CONJUNTO DO CABO DE TERRA
5	940157A0	TUBO DO AR 0,3 m (para versão em carrinho)
6	940085A0	CONJUNTO DO CARRINHO
7	960055A0	PARAFUSOS DE CABEÇA PLANA BAIXA COM SEXTAVADO INTERNO M8x20 (4 pçs.)
8	0101010000	CONJUNTO DO TUBO DE IMERSÃO
9	04005510	CONJUNTO DA TREMONHA 6l
10	960056A0	CONJUNTO DOS PARAFUSOS DE FIXAÇÃO M6x10 (2 pçs.)
11	940052A0	SUPORTE DO FILTRO
12	140002A0	CONJUNTO DO FILTRO DA TINTA EM ENVIO TF-15
13	94006030	ADAPTADOR G1/4"F - NPSM 1/4"M
14	940192A0	ABRAÇADEIRA PARA FIXAÇÃO DE PAREDE
15	940060A0	TUBO DO AR 0,5 m (para versão em Abraçadeira de Parede)

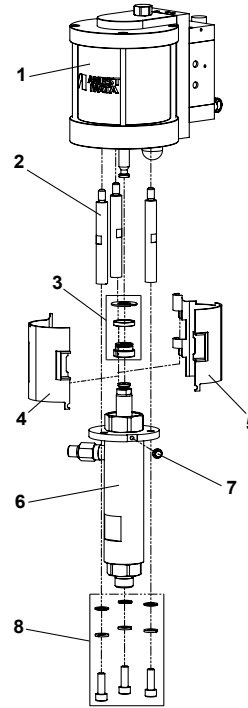
12. CONFIGURAÇÃO DA BOMBA Icon X3 versão AIRLESS



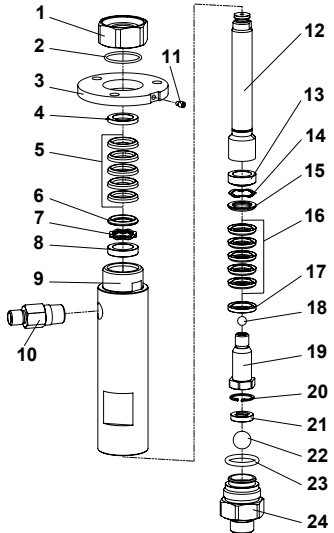
Pos.	Código	Descrição
1	-	CONJUNTO DO GRUPO DE BOMBEAMENTO (PP-3025N)
2	94444790	PARAFUSO SEXTAVADO INTERNO COM CABEÇA DE BOTÃO (4 pçs.)
3a	940190A0	CONJUNTO DO REGULADOR DO AR para VERSÃO em CARRINHO
3b	940191A0	CONJUNTO DO REGULADOR DO AR para ABRAÇADEIRA de PAREDE
4	ME100001	CONJUNTO DO CABO DE TERRA
5	940157A0	TUBO DO AR 0,3 m (para versão em carrinho)
6	940085A0	CONJUNTO DO CARRINHO
7	960055A0	PARAFUSOS DE CABEÇA PLANA BAIXA COM SEXTAVADO INTERNO M8x20 (4 pçs.)
8	0101010000	CONJUNTO DO TUBO DE IMERSÃO
9	04005510	CONJUNTO DA TREMONHA 6l
10	960056A0	CONJUNTO DOS PARAFUSOS DE FIXAÇÃO M6x10 (2 pçs.)
11	940052A0	SUPORTE DO FILTRO
12	140002A0	CONJUNTO DO FILTRO DA TINTA EM ENVIO TF-15
13	94006030	ADAPTADOR G1/4"F - NPSM 1/4"M
14	940192A0	ABRAÇADEIRA PARA FIXAÇÃO DE PAREDE
15	940060A0	TUBO DO AR 0,5 m (para versão em Abraçadeira de Parede)

12.1 CONJUNTO DO GRUPO DE BOMBEAMENTO

Pos.	Código	Descrição
1	940000A0	CONJUNTO DO MOTOR PNEUMÁTICO
2	940036A0	EIXO DE CONEXÃO
3	940193A0	CONJUNTO DA JUNTA
4	940093A0	PROTEÇÃO (ESQ.)
5	940094A0	PROTEÇÃO (DIR.)
6	940014A0	CONJUNTO DA HASTE DA BOMBA
7	960047A0	PARAFUSO DE FIXAÇÃO COM SEXTAVADO INTERNO M5x12
8	940170A0	CONJUNTO DE PARAFUSOS + ARRUELAS (3+3+3 pçs.)



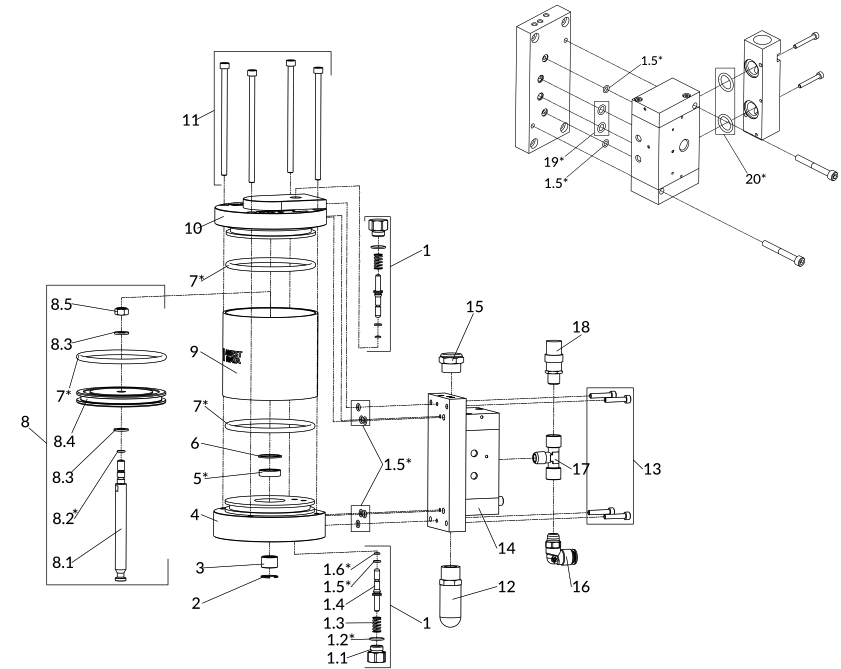
12.2 CONJUNTO DA HASTE DA BOMBA



Pos.	Código	Descrição
9	940015A0	REVESTIMENTO
10	940032A0	JUNÇÃO DO MATERIAL
11	960040A0	TAMPA
12	940166A0	HASTE
13	940127A0	MOLA ANINHADA
14	940128A0	MOLLA ANNIDATA A BALZA
15	940129A0	ADAPTADOR INFERIOR em forma de "V" (MACHO)
16	940070A0	CONJUNTO DAS VEDAÇÕES INFERIORES em forma de "V" (3 PE + 2 PTFE)
17	940132A0	ADAPTADOR INFERIOR em forma de "V" (FÊMEA)
18	06662025	ESFERA 5/16"
19	940021A0	VÁLVULA SUPERIOR
20	960014A0	ANEL DE RETENÇÃO 20
21	04944770	VEDAÇÃO DA VÁLVULA
22	06662050	ESFERA 5/8"
23	960015A0	O-RING 3.53-23.39
24	940033A0	VÁLVULA INFERIOR

Pos.	Código	Descrição
1	940031A0	COPO DE AJUSTE
2	960011A0	O-RING 2.0-29.5
3	940112A0	FLANGE
4	940126A0	ADAPTADOR SUPERIOR em forma de "V" (FÊMEA)
5	940069A0	CONJUNTO DAS VEDAÇÕES SUPERIORES em forma de "V" (3 PE + 2 PTFE)
6	940123A0	ADAPTADOR SUPERIOR em forma de "V" (MACHO)
7	940122A0	MOLA MULTI ONDA
8	940121A0	SEDE DA MOLA

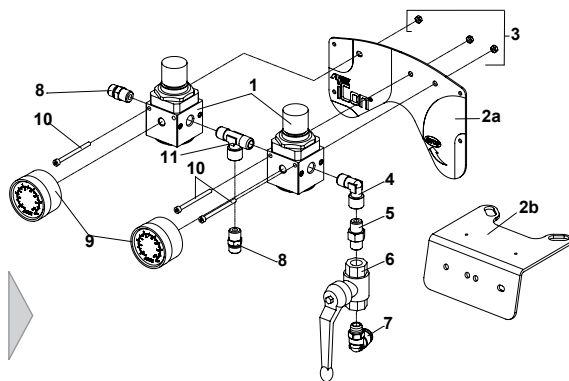
12.3 CONJUNTO DO MOTOR DO AR



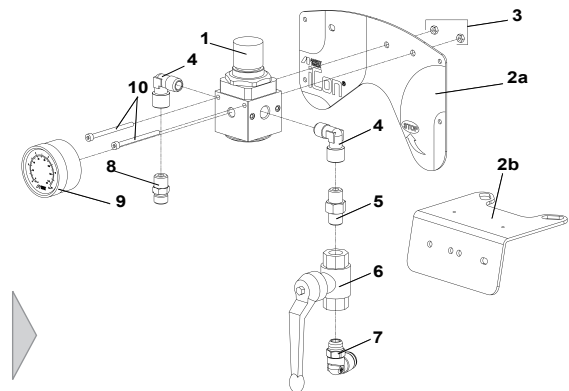
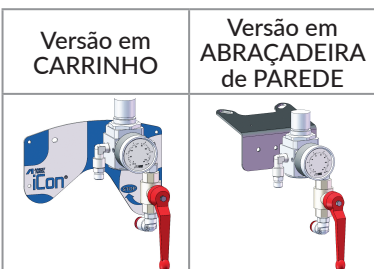
Pos.	Código	Descrição	Pos.	Código	Descrição
1	940073A0	CONJUNTO DA VÁLVULA PILOTO	8.3	06363080	ARRUELA
1.1	940007A0	FECHO DA VÁLVULA	8.4	940004A0	PISTÃO
1.2*	96997009	O-RING \varnothing 1.5-13.5	8.5	960003A0	PORCA SEXTAVADA DE AUTO-BLOQUEIO
1.3	940006A0	MOLA	9	940008A0	CILINDRO
1.4	940005A0	PISTÃO	10	940010A0	MÓDULO SUPERIOR
1.5*	96997003	O-RING \varnothing 1,5-5.5	11	960006A0	CONJUNTO DE PARAFUSOS DE FIXAÇÃO COM SEXTAVADO INTERNO M6x120 (4 pçs.)
1.6*	96997012	O-RING \varnothing 1.5-3.5	12	960010A0	SILENCIADOR
2	960000A0	ANEL DE RETENÇÃO 18	13	96350525	CONJUNTO DE PARAFUSOS DE FIXAÇÃO COM SEXTAVADO INTERNO M5x25 (4 pçs.)
3	940002A0	BUCHA	14	940174A0	VÁLVULA DE TROCA
4	940001A0	MÓDULO INFERIOR	15	04447820	FILTRO DE DESCARGA
5*	960001A0	VEDAÇÃO EM "U"	16	UL300309	JUNÇÃO DE COTOVELO
6	960002A0	ANEL DE RETENÇÃO 24	17	UL30030000	JUNÇÃO EM "T"
7*	960004A0	O-RING \varnothing 5.33-89.69	18	UL30036000	VÁLVULA DE SEGURANÇA
8	940065A0	CONJUNTO DA HASTE DO MOTOR	19*	060031A0	O-RING \varnothing 1.78 - 7.65
8.1	940159A0	HASTE DO MOTOR	20*	060008A0	O-RING \varnothing 2.62 - 15.54
8.2*	960052A0	O-RING \varnothing 1.5-6	(*)	940072A0	CONJUNTO O-RING DO MOTOR PNEUMÁTICO & VÁLVULA DE TROCA

12.4 CONJUNTO DOS REGULADORES DO AR

CONJUNTO DO REGULADOR DO AR para Unidade Multi Spray



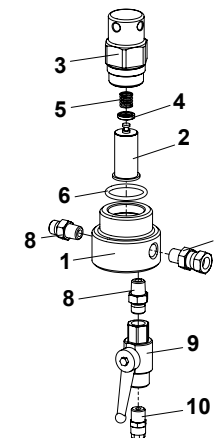
CONJUNTO DO REGULADOR DO AR para Unidade Airless



Pos.	Código	Descrição	Quantidade	
			M233N	A233N
1	UI00070001	REGULADOR DO AR	2	1
2a	940156A0	PLACA DO REGULADOR DO AR (para versão em Carrinho)	1	1
2b	UL00005201	PLACA DO REGULADOR DO AR (para versão em Abraçadeira de Parede)	1	1
3	UL300700	PORCA SEXTAVADA M4	3	2
4	UL300201	JUNÇÃO EM "L"	1	2
5	UL300101	JUNÇÃO	1	1
6	UL30034901	VÁLVULA DE DUAS VIAS COM FURO DE DESCARGA	1	1
7	UL300309	JUNÇÃO DE COTOVELO	1	1
8	UL30010501	JUNÇÃO ESPECIAL R1/4" - G1/4"	2	1
9	02004003	MANÔMETRO (bar - psi)	2	1
10	06350455	PARAFUSO DE FIXAÇÃO COM SEXTAVADO INTERNO M4x55	3	2
11	UL300303	JUNÇÃO EM "T"	1	0

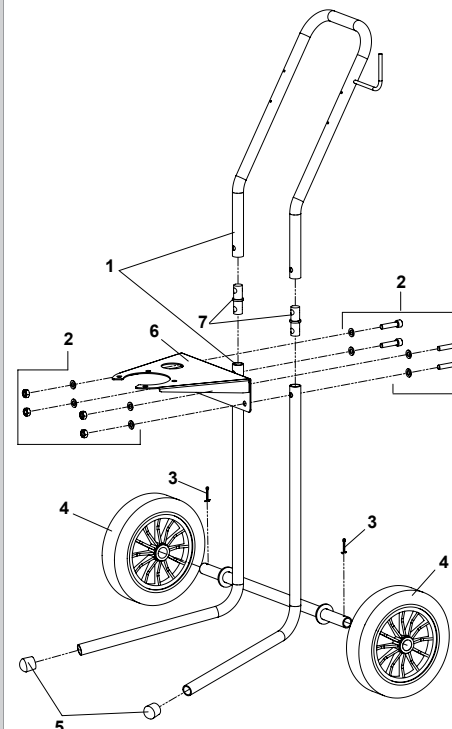
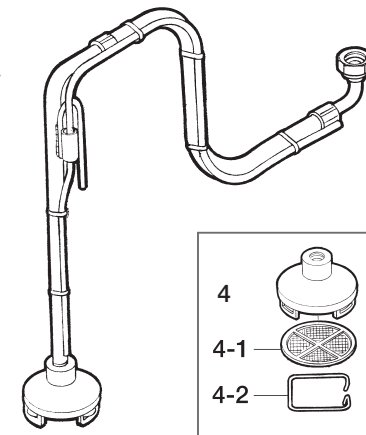
12.5 FILTRO DA TINTA EM ENVIO TF-1S

Pos.	Código	Descrição
1	940053A0	CORPO DO FILTRO
2	VFM2704	FILTRO 100 MESH
3	940054A0	CILINDRO
4	940055A0	SEDE DA MOLA
5	940056A0	MOLA DO FILTRO
6	960021A0	O-RING 3.53-32.92
7	96859022	JUNÇÃO GIRATÓRIA R1/4"M - G1/4"F
8	UL300462	JUNÇÃO G1/4" - R1/4"
9	UL30090100	VÁLVULA DE DESCARGA DE DUAS VIAS
10	UL300302	JUNÇÃO PORTA-TUBO



12.6 CONJUNTO DO TUBO DE IMERSÃO

Pos.	Código	Descrição
4	UL10000701	COBERTURA DO FILTRO COMPLETA
4-1	0040720100	FILTRO 50 MESH
4-2	00407203	MOLA DE BLOQUEIO DO FILTRO



12.7 CONJUNTO DO CARRINHO

Pos.	Código	Descrição
1	940113A0	ESTRUTURA DO CARRINHO
2	940169A0	CONJUNTO DE PARAFUSOS DE FIXAÇÃO + PORCAS + ARRUELAS (4+4+8 pçs.)
3	UL300811	CONTRAPINO
4	UL200001	RODA
5	960019A0	PÉS DE BORRACHA
6	940192A0	ABRAÇADEIRA DE PAREDE
7	940089A0	MANGA DE ACOPLAMENTO

13. DISFUNÇÕES, CAUSAS E SOLUÇÕES




INCONVENIENTE	CAUSA	VERIFICAÇÃO	SOLUÇÃO
1 A pressão do ar não aumenta.	a A válvula esférica não se encontra na posição correta.	a Verificar que a válvula esférica se encontre na posição correta.	a Ajustar a válvula esférica na posição correta.
	b O regulador de ar não está aberto.	b Verificar o funcionamento correto do regulador de ar.	b Se estivesse fechado, abri-lo. Se estivesse danificado, substituí-lo.
	c A pressão do ar é insuficiente.	c Verificar o funcionamento correto do manômetro do regulador de ar.	c Se verificarem que o compressor não fornece uma pressão do ar suficiente, substituí-lo com um de capacidade maior.
2 A tinta não sai da pistola.	a O filtro ou o circuito da tinta resulta bloqueado.	a Abrindo a válvula de descarga, a tinta não sai.	a O circuito da tinta é bloqueado pela entrada da bomba até à junção do tubo do material. Verificar o circuito da tinta e eliminar o material que entope a passagem
		a1 Abrindo a válvula de descarga, a tinta sai regularmente, mas, puxando o gatilho da pistola, não.	a1 O percurso da tinta é bloqueado pela junção do tubo do material no bico da pistola. Verificar o ponto de obstrução e eliminar o entupimento. Geralmente este inconveniente é causado pela obstrução do filtro da pistola. *Consultar o manual da pistola utilizada para resolver o problema.
	b Bico entupido.	b Remover o bico e premir o gatilho da pistola. Se a tinta sair, significa que o bico é entupido.	b *Consultar o manual da pistola utilizada para resolver o problema.
	c Parada de segurança bloqueada.		c Desbloquear a parada de segurança.
3 A bomba não funciona.	a O ar não alimenta a bomba.	a Verificar a tubulação de alimentação do ar da bomba.	a Substituir, se for danificada ou bloqueada.
	b A bomba tem um problema técnico.	b Separar o motor pneumático do grupo de bombeamento e testá-lo, utilizando uma tubulação diferente do ar.	b Se o motor funcionar corretamente, seguir as indicações relativas às soluções indicadas no ponto 2 (a-b).
			c Se o motor não funcionar corretamente, desmontar o cilindro e inspecioná-lo. c Em caso de anomalias especiais, enviá-lo para o nosso serviço de Assistência Técnica.
4 A bomba não pára.	a Entrou ar nas passagens da tinta.	a Assegurar-se de que o tubo de imersão seja ligado corretamente.	a Apertar a junção do tubo de imersão

13. DISFUNÇÕES, CAUSAS E SOLUÇÕES

INCONVENIENTE	CAUSA	VERIFICAÇÃO	SOLUÇÃO
4 A bomba não pára.	b O ar permanece nas passagens da tinta.	b Verificar que a tinta esteja em boas condições e que o tubo de imersão seja completamente imerso no produto a ser pulverizado.	b Se a tinta estiver em condições normais, aumentar o nível da mesma até tiver pelo menos imerso a cobertura do tubo de imersão. Em seguida, efetuar as operações de arranque relativas à descarga do ar nas passagens da tinta.
	c As sedes e as esferas (dentro da haste da bomba) estão sujas ou danificadas.	c Desmontar a haste da bomba e verificar as condições das sedes e das esferas.	c Limpá-las, se fossem incrustadas de resíduos de tinta solidificada, ao contrário, substituí-las, se fossem irreparavelmente danificadas.
	d As vedações em "V" (dentro da haste da bomba) estão sujas ou danificadas.	d Desmontar a haste da bomba e verificar as condições das vedações em "V".	d Limpá-las, se fossem incrustadas de resíduos de tinta solidificada, ao contrário, substituí-las, se fossem irreparavelmente danificadas.
	e Vazamentos das passagens da tinta.	e Inspeccionar todas as passagens de tinta	e Se detectarem vazamentos, eliminá-los.
5 O leque muda continuamente de dimensão.	f A válvula de descarga não está fechada.		f Fechar a válvula de descarga.
	a As vedações em "V" (dentro da haste da bomba) estão sujas ou danificadas.	a Desmontar a haste da bomba e verificar as condições das vedações em "V".	a Limpá-las, se fossem incrustadas de resíduos de tinta solidificada, ao contrário, substituí-las, se fossem irreparavelmente danificadas.
	b As sedes e as esferas (dentro da haste da bomba) estão sujas ou danificadas.	b Desmontar a haste da bomba e verificar as condições das sedes e das esferas.	b Limpá-las, se fossem incrustadas de resíduos de tinta solidificada, ao contrário, substituí-las, se fossem irreparavelmente danificadas.
	c O bico da pistola é gasto.		c Substituí-lo.
6 O indicador de pressão manômetro indica a presença de pressão, mesmo se o regulador do ar está fechado.	d O filtro do circuito da tinta resulta entupido.		d Consultar o ponto (2 - a).
	a Regulador do ar danificado.		a Substituí-lo.

Bäste Kund,
Vi tackar för att ni valt en av våra produkter och vi gläds över att ha er i vår kundkrets.
Vi hoppas att brukandet av denna utrustning kommer att tillfredsställa er samt er personal.

1. VIKTIG INFORMATION









VIKTIGT	
	Denna handbok ska anses en integrerad del av den totala utrustningen och ska noggrant genomläsas innan man startar NÅGON SLAGS AKTIVITET som berör brukande, inställning eller underhåll av enheten och därmed även dess hanterande. Denna handbok ska förvaras på ett säkert ställe för all framtida konsultation.
  II 2 G T6 X	ANEST IWATA ICON Pump Enhet överensstämmer med ATEX direktiv 2014/34/EU; <ul style="list-style-type: none"> • Skydds nivå: II 2G T6 • Utrustningsgrupp: II • Kategori: Gas 2G (Lämplig för användning i zoner 1 och 2) • Område: Gas 1 • Maximal yttemperatur: Temperaturklass T6



OBSERVERA ALLTID ALLA VARNINGAR SAMT REKOMMENDATIONER SOM GES I DENNA HANDBOK



VARNING	RISKNIVÅ	KONSEKVENS
VARNING	MÖJLIG RISKSITUATION	DÖDSFARA ELLER ALLVARLIG SKADA
REKOMMENDATION	MÖJLIG RISKSITUATION	SKADA PÅ EGENDOM

2. SÄKERHETSVARNINGAR

 VARNING	ELD- OCH EXPLOSIONSRISK
	SGNISTOR OCH ÖPPNA LÅGOR ÄR STRÄNGT FÖRBJUDNA. Färgprodukter kan vara lättantändliga och det kan leda till eldsvåda. Undvik eventuella antändningskällor såsom rökning, öppna lågor, elektriska produkter, mm.
	LÅT JORDA PUMPENHETEN ORDENTLIGT VIA DEN BIFOGADE JORDNINGSKABELN: 1.6m - Presskontakt \varnothing 6.5 ELEKTRISK RESISTENS: > 1MO. Kontrollera detta värde regelbundet. Låt noggrant jorda pump, sprutpistol, den bearbetade produkten samt behållare innehållandes färg eller lösningsmedel. Ofullständig jordning kan vara orsak till eldsvåda eller explosionsrisk beroende på gnistor från statisk elektricitet.
	ANVÄND ALDRIG NÅGON AV DE FÖLJANDE HALOGENA KOLVÄTELOSNINGARNA eftersom det kan genom en kemisk reaktion leda till sprickor eller upplösning hos någon av pumpens delar. UOLÄMPLIGA LÖSNINGSMEDEL: metylklorid, diklormetan, 1,2-diklorretan, koltetraklorid, trikloretylen, 1.1.1-trikloreten. SE TILL ATT ALLA VÄTSKOR SAMT LÖSNINGAR ÄR KOMPATIBLA MED UTRUSTNINGENS DELAR. Vi kan bifoga en lista med alla material som ingår i vår produkt.
 VARNING	OLÄMPLIGT BRUKANDE AV UTRUSTNINGEN
	SIKTA ALDRIG MED SPRUTPISTOLEN MOT PERSONER ELLER DJUR. TRYCK ALDRIG PÅ SPRUTPISTOLENS AVTRYCKARE OM EN MÄNNISKOKROPP ELLER FINGRAR ÄR I NÄRHETEN AV SPRUTMUNSTYCKETS UTLOPP. Det kan leda till ögoninflammation eller skador på hud samt kropp. Om du skulle känna dig konstig under brukandet, tag omedelbart kontakt med en läkare. ÖVERSKRID ALDRIG DET MAXIMALA BRUKSTRYCKET ELLER DEN MAXIMALA BRUKSTEMPERATUREN. Överskridande av tryckgränsen kan leda till att pumpen exploderar och därmed till allvarliga skador. VAR NOGGRANN MED ATT TÖMMA KVARBLIVET LUFT- SAMT VÄTSKETRYCK INNAN MAN PÅBÖRJAR RENGÖRING, NEDMONTERING ELLER SERVICEINGREPP. Kvarblivet tryck leda till kroppsskador beroende på olämpliga ingrepp eller utsprutande av rengöringsvätskan. För att tömma trycket, stoppa först pumpens lufttillflöde.

 VARNING	SKYDD AV MÄNNISKOKROPPEN
	BRUKA ALLTID I VÅL VENTILERADE PLATSER SÅSOM SPRUTBÅS. En dålig ventilation kan leda till förgiftning genom organiska lösningsmedel eller självantändning. Om du skulle känna dig konstig under brukandet, tag omedelbart kontakt med en läkare.
 	ANVÄND ALLTID SKYDDSUTRUSTNING (skyddsglasögon, skyddsmask, skyddshandskar.) Rengöringsvätskorna kan orsaka skador på ögon och hud. Om du skulle känna dig konstig under brukandet, tag omedelbart kontakt med en läkare.
 	Bullernivån hos en ANEST IWATA Sprutpistol överskrider inte 85 dB (A) som genomsnittlig ljudtrycksnivån vad gäller den dagliga tillåtna bullerexpositionen. BRUKANDET AV INDIVIDUELLA HÖRSELKYDD ÄR ALLTID REKOMMENDERAT, beroende på olika brukförhållanden samt inflytandet av annat buller inom arbetslokalen som kan leda till en ökning i förhållande till det tillåtna medelvärdet.
 	SE TILL ATT AVSTANNA PUMPEN, SÄNKA DESS LUFT- OCH VÄTSKETRYCK TILL 0 OCH NOGGRANT FÄSTA SÄKERHETSLÅSET PÅ SPRUTPISTOLEN INNAN MAN MONTERAR ELLER LOSSAR SPRUTMUNSTYCKET. Ett utsläpp av färg eller lösningsmedel under detta ingrepp kan leda till allvarliga skador.
	Vad beträffar nödstopp, när distansen mellan sprutpistolen och pumpenheten är relativt stor, rekommenderar vi att man installerar en kulventil för att stänga inmatningen av färg i pistolens inlopp.
	FÖRSÖK ALDRIG ATT STOPPA EVENTUELLA LÄCKOR FÖR HAND, I HÄNDELSE AV FÄRG-LÄCKAGE. Vid en läck, avstanna omedelbart pumpen och sänk anläggningens tryck till 0. Ett utsläpp av färg under högt tryck kan leda till allvarliga kroppsskador och kan dessutom vara en allvarlig hälsorisk. Om du skulle känna dig konstig eller skadas under brukandet, tag omedelbart kontakt med en läkare.
	Att trycka en mångfald av gånger på avtryckaren under brukandet, kan leda till karpaltunnelsyndrom. VILA ALLTID I HÄNDELSE AV TRÖTTHET.

 VARNING	ANDRA FÖRSIKTIGHETSÅTGÄRDER
	GENOMFÖR ALDRIG FÖRÄNDRINGAR PÅ PUMPENHETEN. Detta kan leda till otillräcklig prestation och fel, samt i vissa fall även explosionrisk. UNDVIKA ATT GÅ IN I ARBETSOMRÅDEN DÄR ROBOTAR, KOLVENHETER, MM ÄR I BRUK, INNAN DESSA HAR FRÄNKOPPLATS. Annars kan det lätt leda till att man skadas. ANVÄND ALDRIG PUMPEN TILL ATT BESPRUTA LIVSMEDEL ELLER KEMISKA LÄKEMEDELSPRODUKTER. Utomstående substanser kunna orsaka korrosion i vätskepassagerna vilket skulle negativt kunna påverka hälsan. OM NÅGOT SKULLE GÅ FEL, AVSTANNA OMEDELBART OPERATIONEN OCH SÖK EFTER ORSAKEN. Starta inte pumpen igen innan du först löst problemet. BRUKA ALDRIG RESERVDALAR SOM INTE ÄR ORIGINAL ANEST IWATA.

 VARNING	SPRICKA I VÄTSKESLANGEN
	BRUKA ALDRIG SPRUCKNA, SKADADE, BÖJDA ELLER KROSSADE VÄTSKESLANGAR. Färg som sprutas under högt tryck från en smal slang kan göra hål i en järnplatta och kan orsaka stora skador. BÖJ ALDRING EN VÄTSKESLANG MED EN MINDRE BÖJNINGSRADIE ÄN DEN TILLÅTNA. Kontakta oss eller butiken där du köpte slang, vad gäller tillåten böjningsradie. Placera aldrig tunga objekt på vätskeslangen för att undvika att den ska komma till skada, annars kan den explodera och orsaka stora skador.

3. TILLHÖRANDE HANDBÖCKER

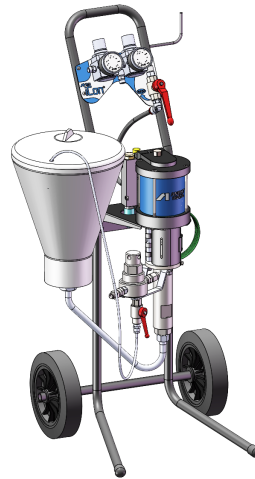
Kod-	Modell-	Beskrivande handbok
040057A0	ICON-M233N/ ICON-A233N	ICON Pump
W5MSG5	MSG5-200 EVO	Handbok Multi Spray sprutpistol
MJ T080-00	ALG-7 TE	Handbok Airless sprutpistol

KONFIGURATION iCon MULTI SPRAY PUMP**ICON M233N-S**

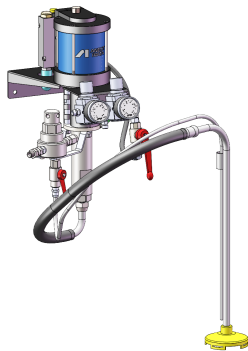
Pumpenhet monterad på VAGN med SUGSLANGSUTRUSTNING
 2 Luftrycksregulator (1 för pump och 1 för pistolen)
 Färginmatningsfilter TF-1S (100 maskor)
 Sugslang med filter (50 maskor)
 Vätskekretssläng
 Dimension (LxBxH): 495 x 450 x 965 mm - Vikt 16 Kg

**ICON M233N-H**

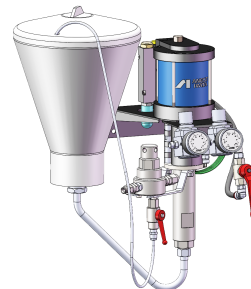
Pumpenhet monterad på VAGN med TRATTMATARE m. gravitetsfunktion
 2 Tryckluftsregulator (1 för pump och 1 för pistolen)
 Färginmatningsfilter TF-1S (100 maskor)
 Gravitetstratt (6 l.) med filter (50 maskor)
 Vätskekretssläng
 Dimension (LxBxH): 495 x 550 x 965 mm - Vikt 16 Kg

**ICON M233N-SWM**

Pumpenhet monterad på VÄGGFÄSTE med SUGSLANGSUTRUSTNING
 2 Tryckluftsregulator (1 för pump och 1 för pistolen)
 Färginmatningsfilter TF-1S (100 maskor)
 Sugslangstrustning med filter (50 maskor)
 Vätskekretssläng
 Dimension (LxBxH): 380 x 320 x 515 mm - Vikt 11Kg

**ICON M233N-HWM**

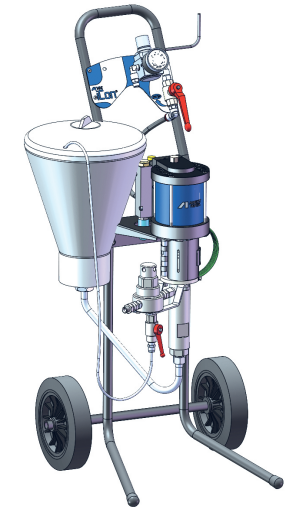
Pumpenhet monterad på VÄGGFÄSTE med TRATTUTRUSTNING
 2 Tryckluftsregulatorer (1 för pump och 1 för pistolen)
 Färginmatningsfilter TF-1S (100 maskor)
 Gravitetstratt (6 l.) med filter (50 maskor)
 Vätskekretssläng
 Dimension (LxBxH): 380 x 420 x 515 mm - Vikt 11Kg

**KONFIGURATION iCon AIRLESS PUMP****ICON A233N-S**

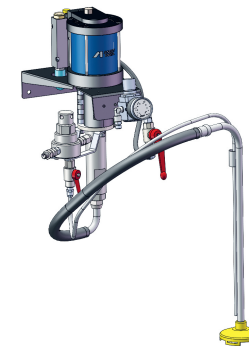
Pumpenhet monterad på VAGN med SUGSLANGSUTRUSTNING
 Tryckluftsregulator
 Färginmatningsfilter TF-1S (100 maskor)
 Sugslangstrustning med filter (50 maskor)
 Vätskekretssläng
 Dimension (LxBxH): 495 x 450 x 965 mm - Vikt 16 Kg

**ICON A233N-H**

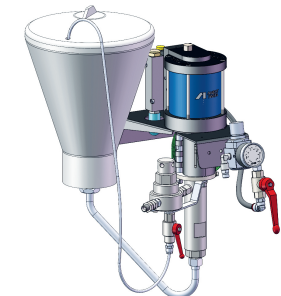
Pumpenhet monterad på VAGN med TRATTMATARE m. gravitetsfunktion
 Tryckluftsregulator
 Färginmatningsfilter TF-1S (100 maskor)
 Gravitetstrattstrustning (6 l.) med filter (50 maskor)
 Vätskekretssläng
 Dimension (LxBxH): 495 x 550 x 965 mm - Vikt 16 Kg

**ICON A233N-SWM**

Pumpenhet monterad på VÄGGFÄSTE med SUGSLANGSUTRUSTNING
 Tryckluftsregulator
 Färginmatningsfilter TF-1S (100 maskor)
 Sugslangstrustning med filter (50 maskor)
 Vätskekretssläng
 Dimension (LxBxH): 380 x 320 x 515 mm - Vikt 11Kg

**ICON A233N-HWM**

Pumpenhet monterad på VÄGGFÄSTE med TRATTUTRUSTNING
 Tryckluftsregulator
 Färginmatningsfilter TF-1S (100 maskor)
 Gravitetstratt (6 l.) med filter (50 maskor)
 Vätskekretssläng
 Dimension (LxBxH): 380 x 420 x 515 mm - Vikt 11Kg

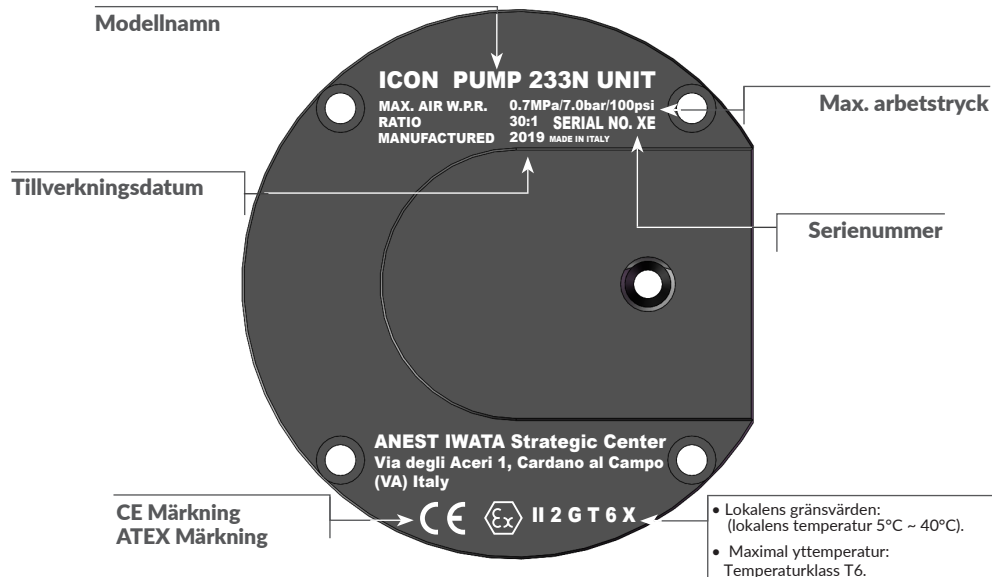


4. TEKNISKA UPPGIFTER

VERSIONER	ICON-M233N	ICON-A233N
Kolvpump:	PP-3025N	
Luftmotorns cylinderdiameter:	100 mm	
Färgfilter:	Färginmatningsfilter	TF-1S (100 maskor)
	Vätskesugfilter	50 maskor
Max. arbetstryck vätskan:	210 bar (21 MPa)	
Max. inlöpande lufttryck:	7.0 bar (0.7 MPa)	
Arbetstryck:	30:1	
Arbetstemperatur:	5°~40° C	
Bullernivå:	84.7 dB(A)	
Luftkonsumtion:	110 NI/min. a 30 cyk/min.	
Vätskeutmatning:	Max. vätskeutflöde	25 ml
	Max. volum/min.	2.5 l/min.
Max. antal cyklar per minut:	100 cyc	
Blöta materialdelar	Färgfilterutrustning	Kropp: AISI303 - Filter: AISI304/Polyamid
	Sugslangutrustning	Slang: Gummi Rör, Filter och Koppling: AISI304
	Vätskepump	Huvudsakligen: AISI303 - PE - PTFE

5. IDENTIFIERING AV PRODUKTEN

ID-SKYLT: En skylt med tillverkarens ID-uppgifter är fästa på Multi Sprut- och Luftfria Enheterna (var god se bilden härunder). De får aldrig avlägsnas, även i de fall utrustningen återsäljs. Man skall alltid hänvisa till serienumret som finns skrivet på pumpen vid all typ av kommunikation med tillverkaren.

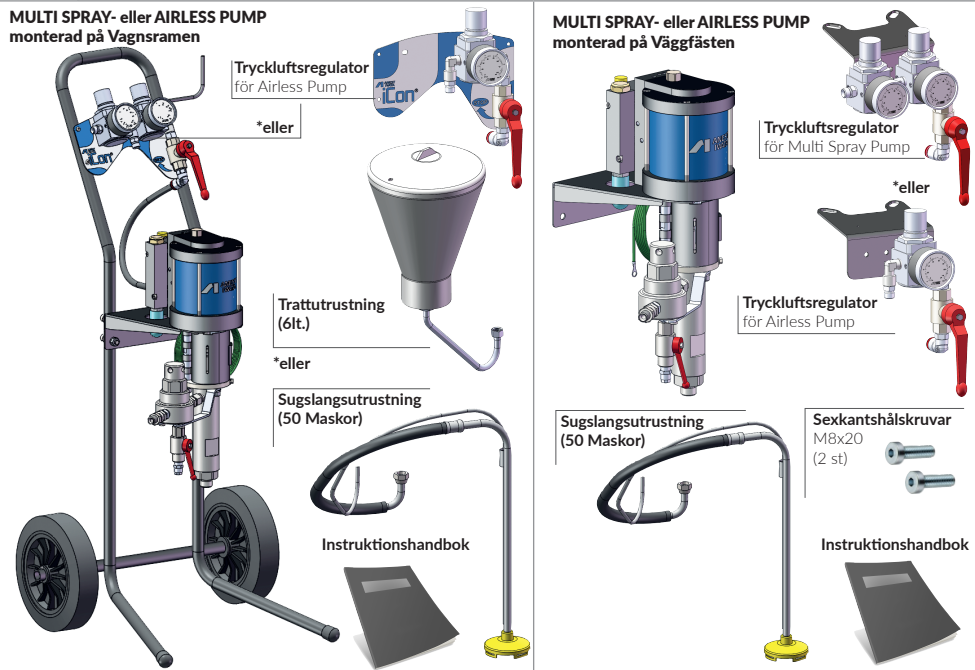


6. LÅDANS INNEHÅLL



När du mottager och innan du brukar pumpen, kontrollera att den inte skadats under transporten eller lagringen. Kontrollera dessutom att alla de följande standardkomponenterna ingår i paketet.

MULTI SPRAY- eller AIRLESS PUMP monterad på Vagnsramen



6.1 TRANSPORT och HANTERING

Vad gäller transporter av utrustningen får endast de här under beskrivna systemen brukas. Kontrollera alltid att både transport- samt hanteringsdonens lyftkapacitet överensstämmer med utrustningens samt emballages vikt.

VARNING

SE ALLTID TILL ATT HÅLLA KOLLIT I VERTIKAL POSITION.



DET REKOMMENDERAS ATT PERSONALEN SOM ÄR ANSVARIG FÖR HANTERINGEN AV KOLLIT BÄR SKYDDSHANDSKAR SAMT SKYDDSSKOR.

HÅLL ARBETSOMRÅDET FRITT VID LYFT ELLER HANTERING AV UTRUSTNINGEN SAMT NÅGON AV DESS KOMponenter. LÄMNA ÄVEN EN VISS SÄKERHETZON FRI RUNT OM UTRUSTNINGEN FÖR ATT UNDVIKA SKADOR PÅ PERSONER ELLER OBJEKT.

6.2 HANTERING och LAGRING

UTRUSTNINGEN ÄR PLACERAD INUTI EN KARTONG OCH INLINDAD MED ETT STÖTDÄMPANDE MATERIAL.

VARNING









ANVÄND EN TRUCK FÖR KARTONGENS HANTERING.



FÖLJ INSTRUKTIONERNA PÅ KOLLIT INNAN DET HANTERAS ELLER ÖPPNAS.

VAR NOGGRAN ATT TEMPERATURINTERVALLET MELLAN 0 OCH 40°C INTE ÖVERSKRIDS VID TRANSPORT ELLER LAGRING. I HÄNDELSE AV LAGRING, KONTROLLERA ATT UTRUSTNINGEN INTE PLACERAS I ALLTFÖR FUKTIGA LOKALER.

7. INSTALLATION

 VARNING	SÄKERHETSFORESKRIFTER
	FÖR ATT KUNNA GARANTERA EN GOD FUNTION AV UTRUSTNINGEN SAMT DESS SÄKERHETSDISPOSITIV MÅSTE PUMPEN INSTALLERAS AV UTBILDAD PERSONAL.
	UTRUSTNINGENS URSPRUNGLIGA KONFIGURATION FÅR INTE ÄNDRAS PÅ NÅGOT VIS.
	LÅT JORDA PUMPEN SAMT SPRUTPISTOLEN VIA DEN LEDANDE VÄTSKESLANGEN OCH JORDNINGSKABELN SOM BIFOGAS MED UTRUSTNINGEN.
	KONTROLLERA ATT ALLA TILLBEHÖR SITTER VÄL ÅTDRAGNA EFTERSOM ETT PLÖTSLIGT LOSSANDE KAN LEDA TILL ALLVARLIGA PERSONSKADOR.
	LÄS NOGGRANT IGENOM OCH FÖLJ ALLA SÄKERHETSFORESKRIFTER I INSTRUKTIONSHANDBOKEN VAD GÄLLER DEN SPRUTPISTOL SOM BRUKAS. ICON-M233N: MSGS-200 EVO / ICON-A233N: ALG7 TE
	INNAN MAN PÅBÖRJAR INSTALLATIONEN STÄLL LUFT- OCH SKEREGULATORERNA PÅ 0 bar.
	PUMPENS RÖRLIGA DELAR KAN KAPA FINGRAR OCH LEDA TILL ALLVARLIGA KROPPSKADOR. DET ÄR ABSOLUT FÖRBJUDET ATT ÖPPNA SÄKERHETSKYDDEN ELLER STOPPA IN FINGRARNAS BAKOM SKYDDEN NÄR PUMPEN ÄR I BRUK.

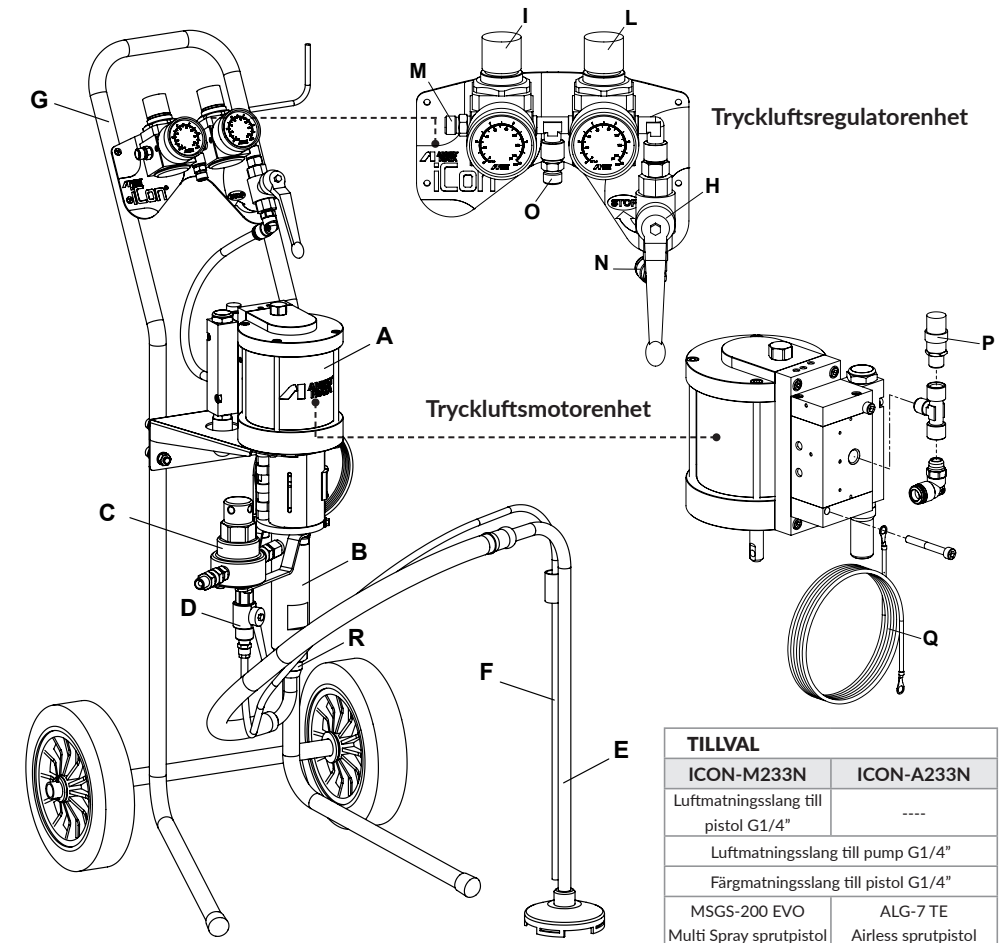
7.1 INSTALLATION AV ICON-M233N

VIKTIGT: Var god se nästa sida för lista över delarnas konfigurering.

- Placera utrustningen på ett vågrätt plan.
- Drag åt fästningen av sugslangen (E) eller tratten med färginsläppets anslutning (R) ordentligt och dräneringsslangen (F) med utsläppsventilen (D).
- Koppla de båda slangarna för färg samt luft, färgslangen till färginmatningsfiltrets (C) färgbehållare samt luftslangen med tryckluftregulatorns behållare (M).
- Koppla noggrant den lösa änden av jordningskabeln (Q) till grunden.
- Koppla den andra änden av de båda luft-/färg- slangarna till sprutpistolens muffanslutning.
- Koppla luftmatningsslangen med luftbehållarens muffanslutning (O).

7.2 INSTALLATION AV ICON-A233N

- Placera utrustningen på ett vågrätt plan.
- Drag åt fästningen av sugslangutrustningen (E) med färginsläppets anslutning (R) och dräneringsslangen (F) med utsläppsventilen (D).
- Koppla färgslangen till färginmatningsfiltrets (C) färgbehållare.
- Koppla noggrant den lösa änden av jordningskabeln (Q) till grunden.
- Koppla den andra änden av färgslangen med sprutpistolens muffanslutning.
- Koppla luftmatningsslangen med luftbehållarens muffanslutning (O).

7.3 ENHETENS KONFIGURATION

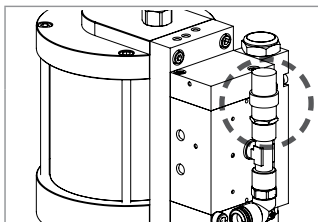
TILLVAL	
ICON-M233N	ICON-A233N
Luftmatningsslang till pistol G1/4"	----
Luftmatningsslang till pump G1/4"	
Färgmatningsslang till pistol G1/4"	
MSGS-200 EVO	ALG-7 TE
Multi Spray sprutpistol	Airless sprutpistol

HUVUDKONFIGURATION

		KOLVPUMP			
A	Tryckluftsmotor			I	Tryckregulator (till sprutpistol)
B	Vätskepump			L	Tryckregulator (till pump)
C	Färginmatningsfilter TF-1S (100 maskor)			M	Luftmatningsnippel till sprutpistol
D	Utsläppsventil			N	Luftmatningsnippel till pump
E	Sugslang	50 Maskor	G1/2"	O	Luftinsläpp
F	Dräneringsslang 1.7 m - ø 6 x 8			P	Säkerhetsventil
G	Vagnsutrustning			Q	Jordningskabel 1.6 m
H	Säkerhets-/kulventil			R	Vätskeanslutningsmuff

8. SÄKERHETSSYSTEM

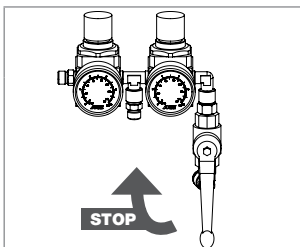
Många säkerhetssystem har utarbetats under ICON-enheternas projekterings- samt tillverkningsfaser som ska tillåta operatören att arbeta under säkra förhållanden, i enlighet med Färgdirektivet EN 12621:2010.

8.1 SÄKERHETSVENTIL

EN 8 BAR-KALIBRERAD SÄKERHETSVENTIL HAR INSTALLERATS FÖR ATT KONTROLLERA ATT PUMPENS ARBETSTRYCK INTE ÖVERSTIGER UTSATTA GRÄNSVÄRDEN INOM MATNINGSKRETSEN.



VARNING! MANIPULERING AV VENTILENS PLASTSKYDD KAN LEDA TILL ALLVARLIG FARA FÖR OPERATÖREN OCH KAN KOMPROMETTERA UTRUSTNINGENS KORREKTA FUNKTION.

8.2 SÄKERHETS-/KULVENTIL**VARNING**

I HÄNDELSEAVETT ABNORMALT FUNKTIONSSÄTT, VRID KULVENTILENS NÖDSTOPPSSPAK 90° FÖR NÖDSTOPP. PÅ DETTA VIS KOMMER LUFTTILLFÖRSELN AVBRYTAS OCH DET KVARLIGGANDE TRYCKET INUTI PUMPEN KOMMER ATT TÖMMAS.

9. BEARBETNINGSBARA PRODUKTER

ANEST IWATA ICON PUMPAR HAR UTFORMATS FÖR MÅLNING AV OLIKA SLAGS METALLER, TRÄ SAMT PLAST.

VARNING

VI VARNAR FÖR BRUKANDE AV UTRUSTNINGEN MED SPECIALPRODUKTER, VAR GOD KONSULTERA FÖRST TILLVERKAREN.

BRUKA INTE:

- HALOGENA KOLVÄTELOSNINGAR, SÅSOM TRIKLORETAN, DIKLORMETAN ELLER LIKNANDE PRODUKTER;
- NÅGON TYP AV GIFTIGA PRODUKTER SÅSOM BENSIN, FOTOGEN ELLER BRÄNNBARA GASER;
- NÅGON TYP AV OGRÄSMEDEL ELLER BEKÄMPNINGSMEDEL;
- RADIOAKTIVA VÄTSKOR.

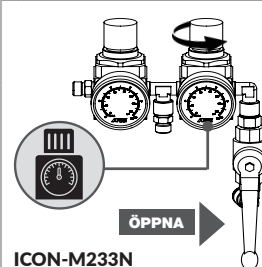
10. DRIFT**VARNING**

JORDA NOGGRANT PUMP, SPRUTPISTOL, ARBETTSTYCKE SAMT BEHÅLLARE FÖR RENGÖRINGSMEDEL SOM ANVÄNDS VID SPOLNING. BRUKA ENDAST LEDANDE KÄRL SOM PLACERATS PÅ JORDAD GRUND. Otillräcklig jordning kan vara orsak till eldsvåda eller explosion, beroende på gnistor från den statiska elektriciteten.

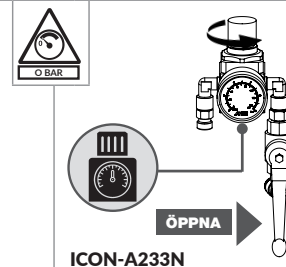
10.1 SPOLNING FÖRE BRUKANDE

VIKTIGT! PUMPEN MÅSTE RENGÖRAS INNAN DEN FÖRSTA UPPSTARTEN, EFTER VARJE ARBETSPASS SAMT VID VARJE FÄRGBYTE.

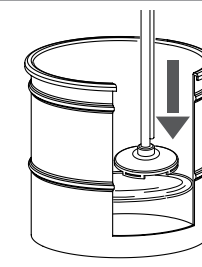
- Efter installationen (kap.7), bekräfta att kulventilen är öppen och att tryckluftsregleringen är inställd på 0 bar, innan man tillför luft till pumpen.
- Sänk sugslangen i behållaren med rengöringsmedlet.



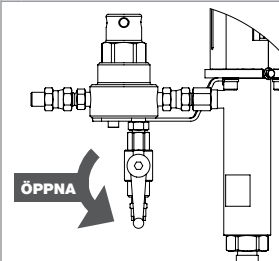
iCon-M233N



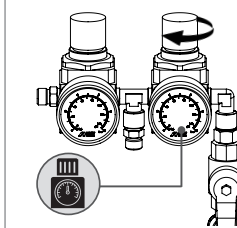
iCon-A233N



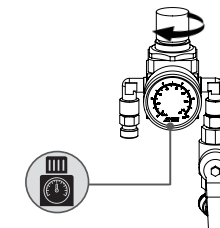
- Öppna utsläppsventilen för vätskans cirkulation.
- Öka sakta trycket via tryckregulatorn till lägst krävd miniminivå för en rak och växlande rörelse av pistongen.



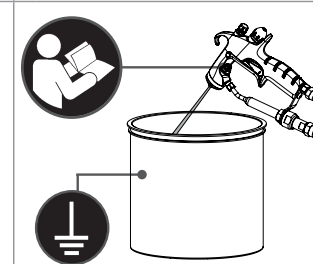
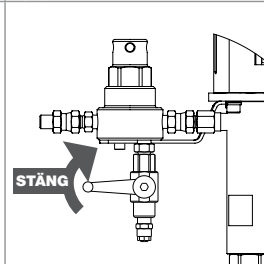
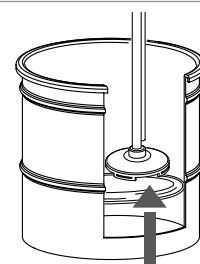
iCon-M233N



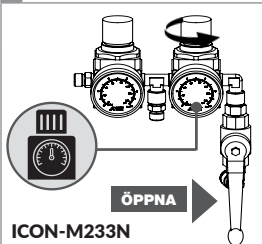
iCon-A233N



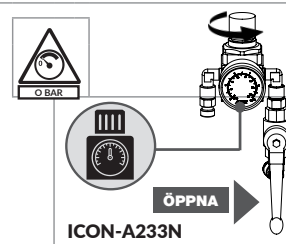
- Efter utförd spolning, töm det brukade rengöringsmedlet via dräneringsslangen och lyft sugslangen utanför rengöringsmedlets nivå.
- Stäng utsläppsventilen.
- Töm sprutpistolen på all vätska.



- Återställ tryckluftsregulatorn på 0 bar.



iCon-M233N

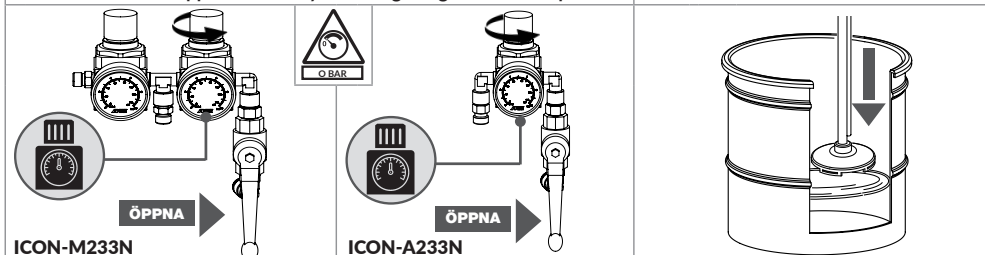


iCon-A233N

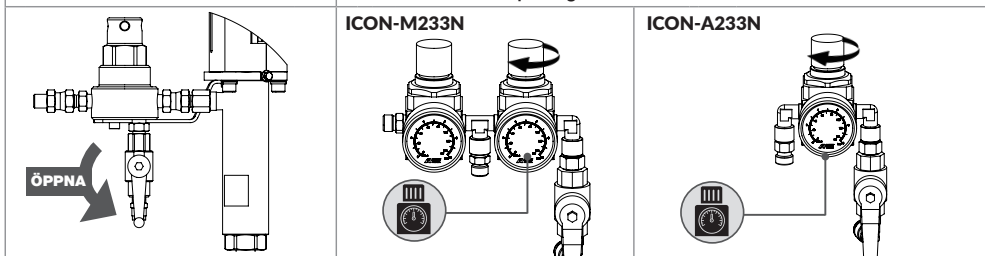
10.2 BRUK

VIKTIGT! INNAN MAN BRUKAR pumpen är det VIKTIGT ATT FÖRST NOGGRANT LÄSA IGENOM och följa alla råd och förmaningar som INSTRUKTIONSHANDBOKEN TILL SPRUTPISTOLEN innehåller. MSGS-200 EVO (med Multi Spray Pump) eller ALG-7 TE (med Airless Pump).

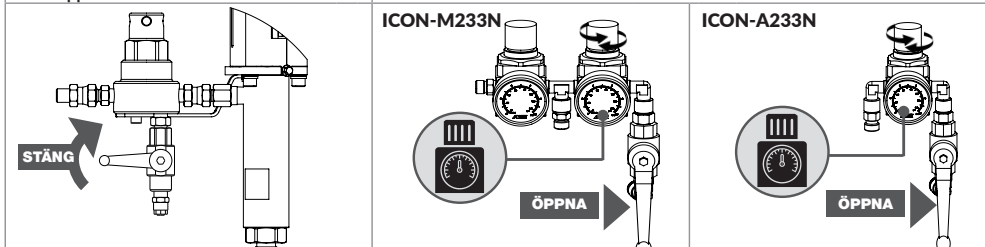
- 1 Efter spolningen (se 10.1) och innan man tillför luft till pumpen, bekräfta att kulventilen är öppen och att tryckluftsregleringen är inställd på 0 bar
- 2 Sänk sugslangen i behållaren med färg.



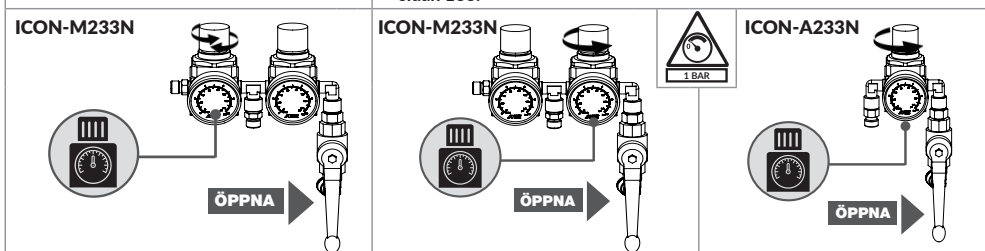
- 3 Öppna utsläppsventilen till vätskans cirkulationskrets.
- 4 Öka sakta trycket via tryckregulatorn till lägst krävd miniminivå för en rak och växlande rörelse av pistongen.



- 5 Kontrollera att färgen kommer ut ur cirkulationskretsen och stäng därefter utsläppsventilen.
- 6 Justera tryckluftsregulatorn för att uppnå VÄTSKANS ARBETSTRYCK.



- 7 Justera tryckluftsregulatorn för att uppnå ett FINFÖRDELANDE TRYCK
- 8 När sprutmålningen är avslutad, sänk pumpens tryckluftsregulator under 1 bar och repetera sedan instruktionerna från och med punkt 5 till 8 på sidan 133.

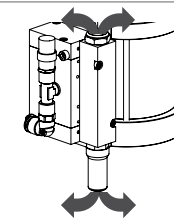


VARNING!



UNDER BRUKANDET KAN PUMPEN AVSÖNDRA FRÅNLUFT FRÅN TRYCKLUFTSANORDNINGENS LUDDÄMPARE.

RÖR INTE VID AVGASANORDNINGEN MEDAN PUMPEN ÄR IGÅNG.



10.3 ÖKAT VÄTSKETRYCK

Modell	Kvot	Inställning Av Tryckluftsregulatorn	Ökat Vätsketryck
ICON-M233N	30:1	0.3MPa (3bar - 43.5psi)	9.0MPa (90bar - 1305psi)
ICON-A233N		0.5MPa (5bar - 72.5psi)	15.0MPa (150bar - 2175psi)
		0.7MPa (7bar - 100psi)	21.0MPa (210bar - 3045psi)

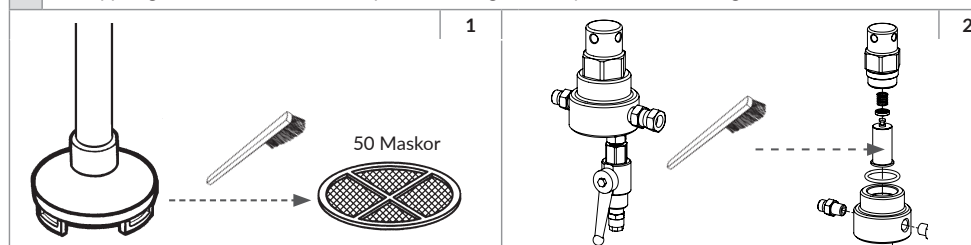
11. ORDINÄRT UNDERHÅLL

11.1 DAGLIGT UNDERHÅLL

- 1 SPOLNING AV PUMPEN: Rengör pumpenheten efter varje arbetspass samt vid varje färgbyte.
- 2 KONTROLLERA ATT DET INTE FÖRELIGGER NÅGON FÄRG- ELLER LUFTLÄCKA: Kontrollera att slangarna inte är skadade och att alla gängade kopplingar är väl åtdragna. Ingrip omedelbart om man skulle upptäcka konstigheter och byt ut delar som är skadade.

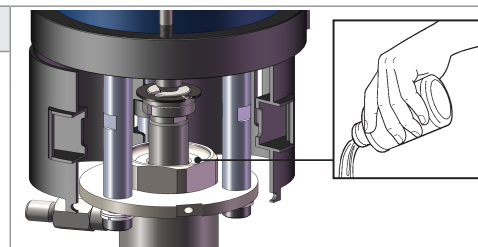
11.2 UNDERHÅLL VARJE MÅNAD

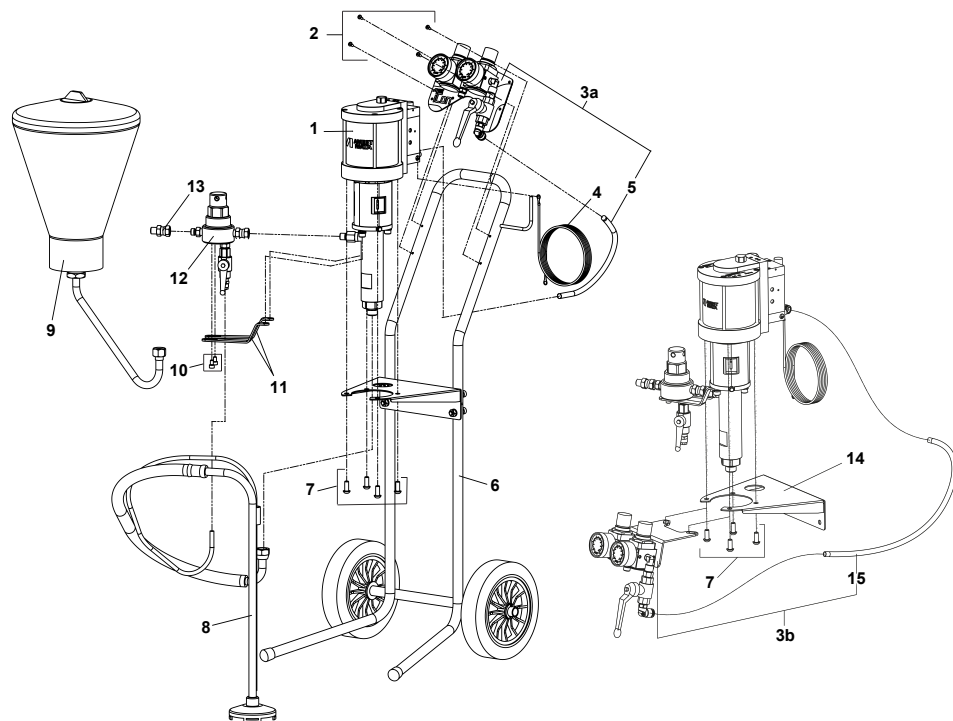
- 1 KONTROLLERA SUGSLANGENS FILTER: Kontrollera om det föreligger förstoppningar eller eventuella skador på filtret. Rengör eller byt ut, om nödvändigt.
- 2 KONTROLLERA FILTRET PÅ INSIDAN AV FÄRGINMATNINGSFILTRET (TF-15): Kontrollera om det föreligger förstoppningar eller eventuella skador på filtret. Rengör eller byt ut, om nödvändigt.



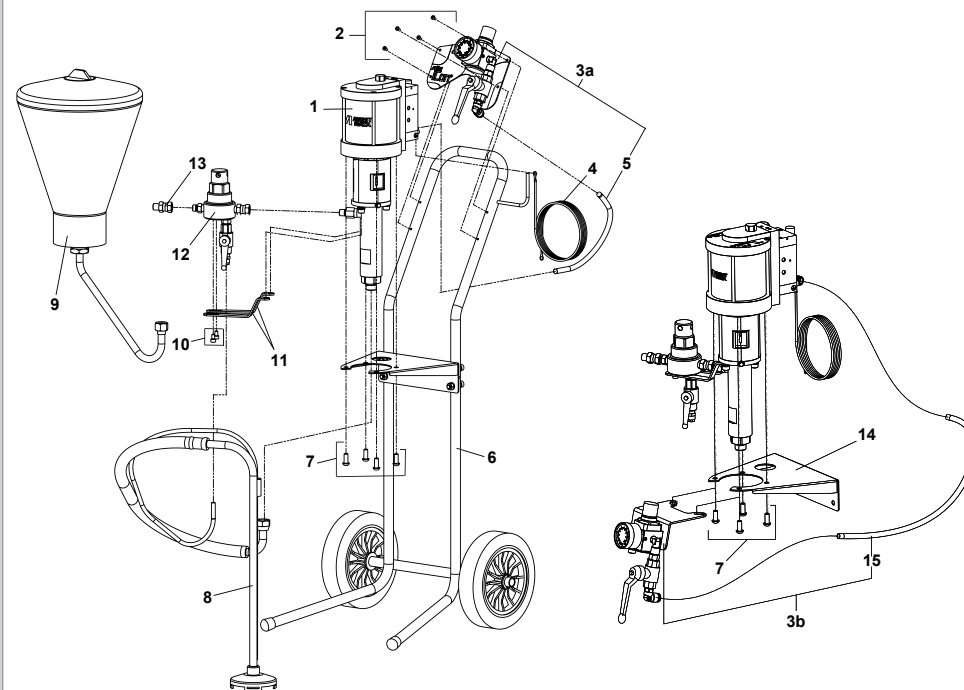
RÅD!

ICON X3 PUMPEN HAR UTFORMATS FÖR ATT ARBETA MED FÄRG UTAN BEHOV AV SMÖRJNING. MEN VID ETT MYCKET INTENSIVT BRUKANDE REKOMMENDERAS DET ATT TILLSÄTTA ANEST IWATA SMÖRJMEDEL (94445770 - VILKET INTE INGÅR) I PACKNINGARNAS SÄTEN FÖR ATT FÖRLÄNGA DERAS LIVSLÄNGD.



12. SPRÄNGSKISS OCH RESERVDELSLISTA Multi Spray Version

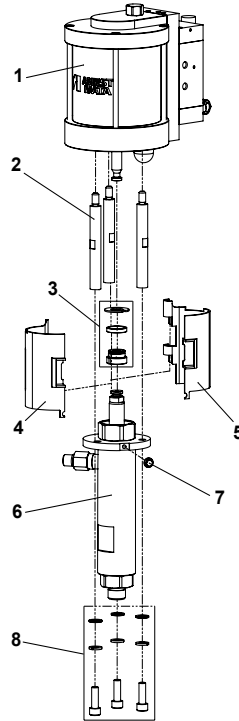
Ref.	Kod	Beskrivning
1	-	KOLVPUMP (PP-3025N)
2	94444790	FÖRSÄNKTA SKRUVAR (4 st)
3a	940188A0	TRYCKLUFTREGULATOR för version till VAGNSRAM
3b	940189A0	TRYCKLUFTREGULATOR för version med VÄGGFÄSTE
4	ME100001	JORDINGSKABEL
5	940157A0	LUFTSLANG 0,3 m (för version till vagnsram)
6	940085A0	VAGNSRAM
7	960055A0	FÖRSÄNKTA INSEXSKRUVAR M8x20 (4 st)
8	0101010000	SUGSLANG
9	04005510	TRATT 6 l.
10	960056A0	FÖRSÄNKT INSEXBULT M6x10 (2 st)
11	940052A0	FILTERSTAG
12	140002A0	FÄRGINMATNINGSFILTER TF-1S
13	94006030	ADAPTER G1/4"F - NPSM 1/4"M
14	940192A0	VÄGGFÄSTEN
15	940060A0	LUFTSLANG 0,5 m (för version med väggfäste)

12. SPRÄNGSKISS OCH RESERVDELSLISTA Airless Version

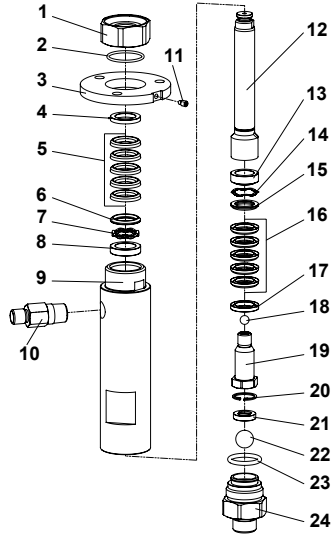
Ref.	Kod	Beskrivning
1	-	KOLVPUMP (PP-3025N)
2	94444790	FÖRSÄNKTA SKRUVAR (4 st)
3a	940190A0	TRYCKLUFTREGULATOR för version till VAGNSRAM
3b	940191A0	TRYCKLUFTREGULATOR för version med VÄGGFÄSTE
4	ME100001	JORDINGSKABEL
5	940157A0	LUFTSLANG 0,3 m (för version till vagnsram)
6	940085A0	VAGNSRAM
7	960055A0	FÖRSÄNKTA INSEXSKRUVAR M8x20 (4 st)
8	0101010000	SUGSLANG
9	04005510	TRATT 6 l.
10	960056A0	FÖRSÄNKT INSEXBULT M6x10 (2 st)
11	940052A0	FILTERSTAG
12	140002A0	FÄRGINMATNINGSFILTER TF-1S
13	94006030	ADAPTER G1/4"F - NPSM 1/4"M
14	940192A0	VÄGGFÄSTEN
15	940060A0	LUFTSLANG 0,5 m (för version med väggfäste)

12.1 KOLVPUMPENHET

Ref.	Kod	Beskrivning
1	940000A0	TRYCKLUFTSMOTOR
2	940036A0	VEVSTAKE
3	940193A0	KOPPLINGSUTRUSTNING
4	940093A0	VÄNSTER STAKSKYDD
5	940094A0	HÖGER STAKSKYDD
6	940014A0	VÄTSKEPUMP
7	960047A0	U-BULTAR T. INSEXHÅL M5x12
8	940170A0	SKRUVAR OCH TÄTNINGSBRICKOR (3+3+3 st)



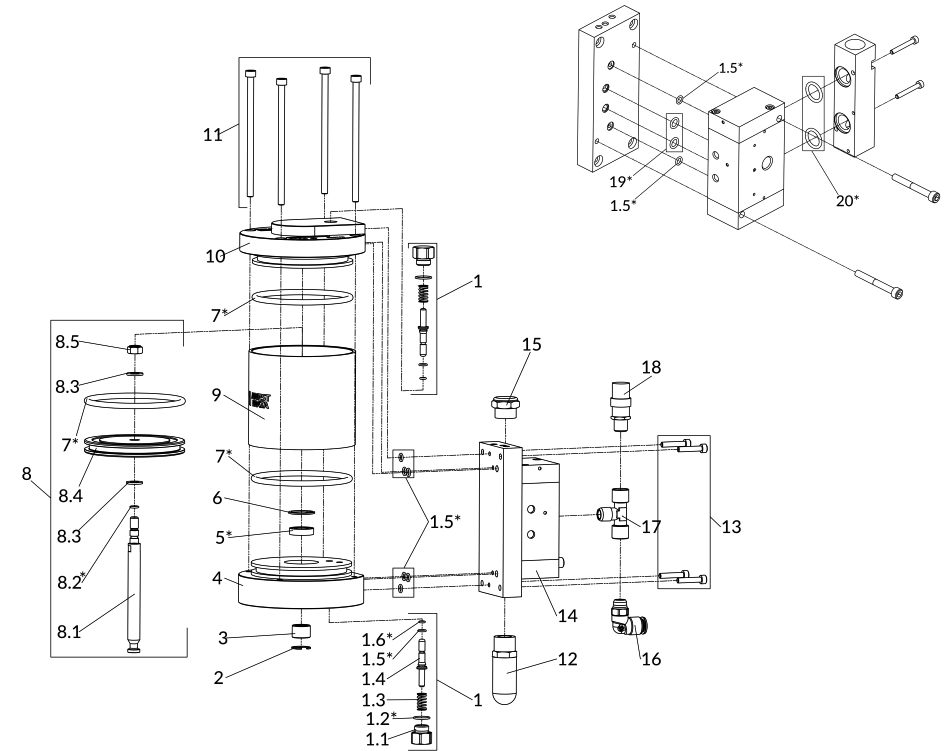
12.2 VÄTSKEPUMPENHET



Ref.	Kod	Beskrivning
1	940031A0	PACKNINGSSÅTE
2	960011A0	O-RING 2.0-29.5
3	940112A0	FLÄNS
4	940126A0	V-TÄTNINGAR HONANSLUTNING (ÖVRE)
5	940069A0	V-TÄTNING (ÖVRE) (3 PE + 2 PTFE)
6	940123A0	V-TÄTNING HANANSLUTNING (ÖVRE)
7	940122A0	SPIRALFORMADE VÄGFJÄDRAR
8	940121A0	FJÄDERHÅLLARE (ÖVRE)

Ref.	Kod	Beskrivning
9	940015A0	SUGRÖR
10	940032A0	VÄTSKEUTSLÄPPSFOG
11	960040A0	PROPP
12	940166A0	STÅNG MED SUGFÄSTE
13	940127A0	FJÄDERHÅLLARE (UNDRE)
14	940128A0	KAPSLAD FJÄDER
15	940129A0	V-TÄTNING HANANSLUTNING (UNDRE)
16	940070A0	V-TÄTNING (UNDRE) (3 PE + 2 PTFE)
17	940132A0	V-TÄTNING HONANSLUTNING (UNDRE)
18	06662025	KULA 5/16"
19	940021A0	VENTILHÅLLARE
20	960014A0	SEEGER 20
21	04944770	VENTILHÅLLARTÄTNING
22	06662050	KULA 5/8"
23	960015A0	O-RING 3.53-23.39
24	940033A0	VENTILADAPTER

12.3 TRYCKLUFTSMOTORENHET



Ref.	Kod	Beskrivning
1	940073A0	PILOTVENTIL
1.1	940007A0	PILOTVENTILLOCK
1.2*	96997009	O-RING \varnothing 1.5-13.5
1.3	940006A0	FJÄDER PILOTVENTIL
1.4	940005A0	PILOTVENTILSKAFT
1.5*	96997003	O-RING \varnothing 1.5-5.5
1.6*	96997012	O-RING \varnothing 1.5-3.5
2	960000A0	SEEGER 18
3	940002A0	METALL
4	940001A0	BOTTENMODUL
5*	960001A0	U-TÄTNING
6	960002A0	SEEGER 24
7*	960004A0	O-RING \varnothing 5.33-89.69
8	940065A0	KOLVSTÅNGSENHET
8.1	940159A0	KOLVSTÅNG
8.2*	960052A0	O-RING \varnothing 1.5-6

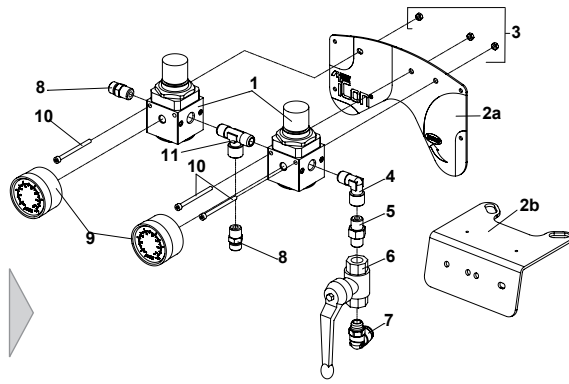
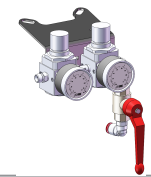
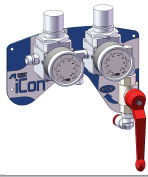
Ref.	Kod	Beskrivning
8.3	06363080	TÄTNINGSBRICKA
8.4	940004A0	TRYCKLUFTSKOLV
8.5	960003A0	SJÄLVLÅSANDE SEXKANTSMUTTER
9	940008A0	CYLINDER
10	940010A0	HUVUDMODUL
11	960006A0	INSEKSKRUV M6x120 (4 st)
12	960010A0	LUDDÄMPARE
13	96350525	INSEKSKRUV M5x25 (4 st)
14	940174A0	TRYCKLUFTSSTYRD VENTIL
15	04447820	AVGASFILTER
16	UL300309	KRÖKRÖRSKOPPLING
17	UL30030000	T-RÖRDELAR
18	UL30036000	SÄKERHETSVENTIL
19*	060031A0	O-RING \varnothing 1.78 - 7.65
20*	060008A0	O-RING \varnothing 2.62 - 15.54
(*)	940072A0	SÄTS O-RINGAR TILL TRYCKLUFTSMOTOR & TRYCKLUFTSSTYRD VENTIL

12.4 TRYCKLUFTSREGULATORENHET

TRYCKLUFTSREGULATORENHET för Multi Spray Pump

Version till VAGNSRAM

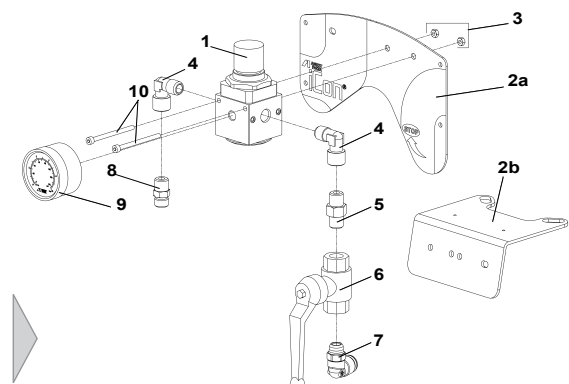
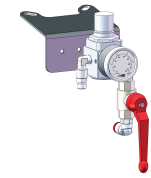
Version med VÄGGFÄSTE



TRYCKLUFTSREGULATOR för Airless Pump

Version till VAGNSRAM

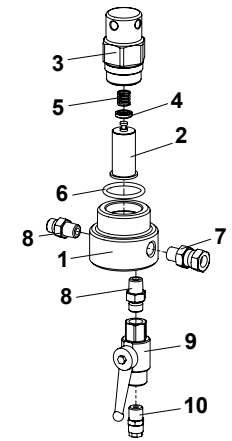
Version med VÄGGFÄSTE



Ref.	Kod	Beskrivning	Kvant.	
			M233N	A233N
1	UI00070001	TRYCKLUFTSREGULATOR	2	1
2a	940156A0	SKYLTT (för version till vagnsram)	1	1
2b	UL00005201	SKYLTT FÖR TRYCKLUFTSREGULATOR (för version med väggfäste)	1	1
3	UL300700	INSEXMUTTER M4	3	2
4	UL300201	L-KOPPLING	1	2
5	UL300101	NIPPEL	1	1
6	UL30034901	KULVENTIL MED AVGASHÅL	1	1
7	UL300309	KRÖKRÖRSKOPPLING	1	1
8	UL30010501	SPECIALNIPPEL R1/4" - G1/4"	2	1
9	02004003	TRYCKMÄTARE (bar - psi)	2	1
10	06350455	BULT TILL INSEXHÅL M4x55	3	2
11	UL300303	T-KOPPLING	1	0

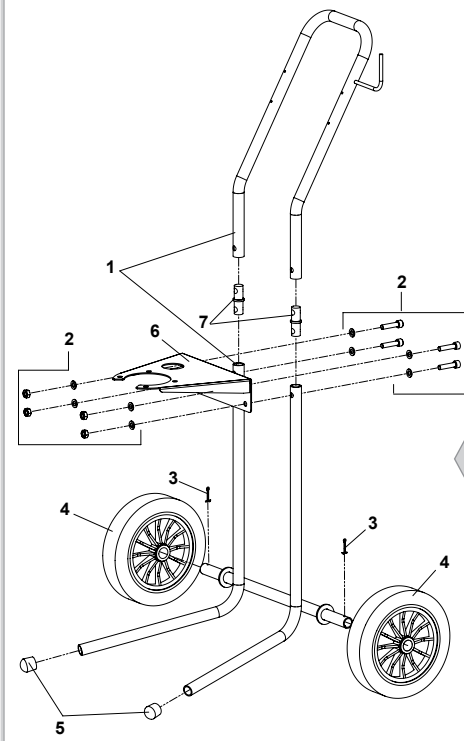
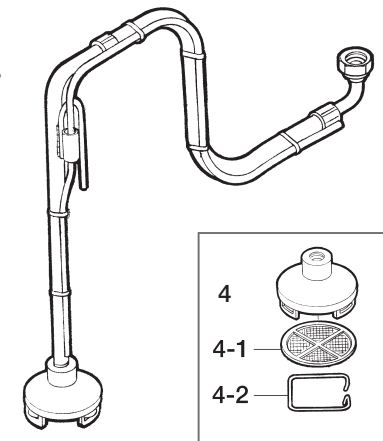
12.5 FÄRGINMATNINGSFILTER TF-1S

Ref. .	Kod	Beskrivning
1	940053A0	FILTERKROPP
2	VFM2704	FILTER 100 MASKOR
3	940054A0	CYLINDER
4	940055A0	FJÄDERHÅLLARE
5	940056A0	FJÄDER T. FILTER
6	960021A0	O-RING 3.53-32.92
7	96859022	SVÄNGLED R1/4" M - G1/4" F
8	UL300462	FOG G1/4" - R1/4"
9	UL30090100	UTSLÄPPSVENTIL
10	UL300302	SLANGFOG



12.6 SUGSLANGSUTRUSTNING

Ref. .	Kod	Beskrivning
4	UL10000701	KOMPLETT HÖLJE
4-1	0040720100	FILTER 50 MASKOR
4-2	00407203	FILTERPROPP



12.7 VAGNSRAM

Ref.	Kod	Beskrivning
1	940113A0	RAMSTRUKTUR VAGN
2	940169A0	SATS M. SKRUVAR, MUTTRAR & INLÄGGSBRICKOR (4+4+8 st)
3	UL300811	SAXSPRINT
4	UL200001	HJUL
5	960019A0	GUMMILOCK
6	940192A0	VÄGGARMATUR
7	940089A0	KOPPLINGSELEMENT

13. FELSÖKNING


FEL	ORSAK	KONTROLL	LÖSNING
1 Lufttrycket Ökar Inte.	a Kulventilen är inte i rätt position.	a Kontrollera om kulventilen är i rätt position.	a Justera kulventilen i rätt position.
	b Tryckluftsregulatorn är inte öppen.	b Kontrollera den korrekta funktionen hos tryckluftsregulatorn.	b Om den skulle vara tillstängd, öppna den. Om den skulle vara skadad, byt ut den.
	c Otillräckligt lufttryck.	c Kontrollera att tryckluftsmätaren fungerar.	c Om kompressoren inte kan ge tillräckligt lufttryck, byt ut den mot en med högre kapacitet.
2 Pistolens sprutar inte ut färgen.	a Förstoppning i färgfiltret eller i färgens cirkulationskrets.	a Färgen rinner inte ut när man öppnar utsläppsventilen.	a Färgens cirkulationskrets är förstoppad mellan pumpens inflöde och färgröret. Kontrollera var förstoppningen sitter och avlägsna det förstoppande materialet från kretsen.
		a1 Färgen rinner ut när man öppnar utsläppsventilen, men inte då man trycker på sprutpistolens avtryckare.	a1 Färgen är blockerad någons tans mellan färgslangens fog och pistolens munstycke. Kontrollera var förstoppningen sitter och avlägsna den; detta fel hittas vanligen i sprutpistolens filter. *Hänvisa till sprutpistolens instruktionshandbok.
	b Förstoppning i munstycket.	b Lossa på munstycket och tryck på pistolens avtryckare. Om färgen rinner ut betyder det att munstycket är förstoppat.	b *Hänvisa till sprutpistolens instruktionshandbok, vad beträffar felsökning.
	c Blockering av spärranordning.		c Lås upp säkerhetsventilen.
3 Pumpen fungerar inte	a Luften kommer inte fram till pumpen.	a Kontrollera den inmatande luftslangen.	a Byt ut den om den skulle vara skadad eller förstoppad.
	b Pumpen har tekniska problem.	b Separera tryckluftsmotorn från pumpgruppen och testa via en annan luftslang.	b Om motorn fungerar normalt, följ instruktionerna som ges i lösningsspalten, punkt 2 (a-b).
			c Om motorn inte fungerar normalt, montera ned cylindern och låt inspektera den. I händelse av speciella konstigheter, skicka den till vår Tekniska Kundvårdstjänst.
4 Pumpen avstannar inte.	a Det har kommit in lite luft i färgpassagerna.	a Kontrollera att den doppade slangen är ordentligt kopplad.	a Drag åt sugslangens tätning.

13. FELSÖKNING


FEL	ORSAK	KONTROLL	LÖSNING
4 Pumpen avstannar inte.	b Lite luft kvarblir i färpassagerna.	b Kontrollera att färgen är i gott skick och att sugslangsutrustningen är fullkomligt nedsänkt i produkten som ska pumpas.	b Om färgen är i standar skick, öka dess nivå åt instone tills det helt täcker sugslangsutrustningen. Utför sedan starti greppen vad beträffar tömningen av luften från färgpassagerna.
	c Säten samt kulor (inu vätskepumpen) är smutsiga eller skadade.	c Montera ned vätskepumpen och kontrollera skicket hos säten samt kulor.	c Rengör dem om de är täckta med torkade färrester. Om de är utnötta, byt ut dema.
	d V-tätningarna (inuti vätskepumpen) är smutsiga eller skadade.	d Montera ned vätskepumpen och kontrollera V-tätningarnas skick.	d Rengör dem om de är täckta med torkade färrester. Om de är utnötta, byt ut dem..
	e Läckor från färgpassaerna. f Utsläppsventilen är inte stängd.	e Inspektera alla färgpassager. f	e Om man hittar en läcka, åtgärda den. f Stäng till utsläppsventilen.
5 Sprutytan ändras av sig självt.	a V-tätningarna (inuti vätskepumpen) är smutsiga eller skadade.	a Montera ned vätskepumpen och kontrollera V-tätningarnas skick..	a Rengör dem om de är täckta med torkade färgrester. Om de är utnötta, byt ut dem.
	b Säten samt kulor (inuti vätskepumpen) är smutsiga eller skadade	b Montera ned vätskepumpen och kontrollera skicket hos säten samt kulor.	b Rengör dem om de är täckta med torkade färrester. Om de är utnötta, byt ut dem.
	c Sprutmunstycket är utnött.		c Byt ut det.
	d Förstoppning av färgfiltret i färgkretsen.		d Hänvisa till (2 - a).
6 Tryckmätaren visar på tryck även om tryckluftsregulatorn är avstängd..	a Tryckluftsregulatorn är skadad		a Byt ut den.

Drogi kliencie,
Dziękujemy za zakup naszego produktu i dołączenie do naszych klientów.
Mamy nadzieję, że nasz produkt spełni Wasze oczekiwania.





1. WAŻNA INFORMACJA









WAŻNE	Niniejsza instrukcja jest integralną częścią sprzętu i musi zostać uważnie przeczytana przed rozpoczęciem jakiegokolwiek czynności przy nim, takiej jak użytkowanie, regulacja, konserwacja czy przenoszenie. Niniejsza instrukcja musi być przechowywana w bezpiecznym miejscu, łatwo dostępnym w razie konieczności konsultacji. Należy przestrzegać wszystkich ostrzeżeń i uwag zawartych w niniejszej instrukcji. W przeciwnym razie może dojść do wytrysku farby i poważnych obrażeń ciała ze strony rozpuszczalnika organicznego.
	
CE Ex II 2 G T6 X	Jednostka pompy ICON firmy ANEST IWATA spełnia wymagania ATEX 2014/34/EU; <ul style="list-style-type: none"> • Stopień ochrony: II 2G T6 • Grupa sprzętu: II • Kategoria: Gas 2G (Nadaje się do stosowania w strefach 1 i 2) • Obszar: Gas 1 • Maksymalna temperatura powierzchniowa: klasa temperatury T6.



NALEŻY ZAWSZE PRZESTRZEGAĆ OSTRZEŻEŃ I UWAG ZAWARTYCH W NINIEJSZEJ INSTRUKCJI



	OSTRZEŻENIE	POZIOM ZAGROŻENIA	KONSEKWENCJA
	OSTRZEŻENIE UWAGA	POTENCJALNIE NIEBEZPIECZNA SYTUACJA	ŚMIERĆ LUB POWAŻNE OBRAŻENIA USZKODZENIE SPRZĘTU

2. OSTRZEŻENIA BEZPIECZEŃSTWA

	OSTRZEŻENIE NIEBEZPIECZEŃSTWO WYBUCHU I POŻARU
	KATEGORYCZNE ZABRANIA SIĘ STOSOWANIA ISKIER LUB WOLNYCH PŁOMIENI. Farby mogą być wysoko łatwopalne i mogą spowodować pożar. Unikać wszelkich źródeł zapłonu, takich jak papierosy, otwarte płomienie, sprzęt elektryczny, itp.
	ZABEZPIECZYĆ POMPE PRZEWODEM UZIEMIĄJĄCYM: 1.6m - Zacisk \varnothing 6.5. Opór elektryczny: >1M Ω . Sprawdzaj okresowo wartość. Uziemić pompę, pistolet, element obrabiany i pojemnik na farbę lub rozpuszczalnik. Nieodpowiednie uziemienie może spowodować pożar i wybuch z powodu statycznego prądu elektrycznego lub iskrzenia elektrycznego.
	NIGDY NIE UŻYWAĆ NASTĘPUJĄCYCH ROZPUSZCZALNIKÓW WĘGLOWODOROWYCH, które mogłyby spowodować uszkodzenia lub rozpuszczenie niektórych komponentów pompy na skutek reakcji chemicznej. NIEODPOWIEDNIE ROZPUSZCZALNIKI: chlorek metylu, dichlorometan, 1,2-dichloroetan, tetrachlorek węgla, trójchloroetylen, 1,1,1-trichloroetan. UPEWNIĆ SIĘ, ŻE WSZYSTKIE PŁYNY I ROZPUSZCZALNIKI SĄ KOMPATYBILNE Z KOMPONENTAMI SPRZĘTU. Możemy dostarczyć wykazu materiałów wykorzystanych do produkcji.
	OSTRZEŻENIE NIEPRAWIDŁOWE UŻYTKOWANIE SPRZĘTU
	NIGDY NIE KIEROWAĆ PISTOLETU W STRONĘ LUDZI LUB ZWIERZĄT. NIGDY NIE POCIĄGAĆ ZA SPUST PISTOLETU, GDY W POKLIŻU DYSZY PISTOLETU ZNAJDĄ SIĘ PALCĘ LUB INNE CZĘŚCI CIAŁA. Mogłoby to spowodować stan zapalny oczu lub skóry czy też obrażenia ciała. Jeśli podczas pracy źle się poczuje, należy niezwłocznie skontaktować się lekarzem. NIGDY NIE PRZEKRACZAĆ MAKSYMALNEGO CIŚNIENIA ROBOCZEGO I MAKSYMALNEJ TEMPERATURY ROBOCZEJ. Przekroczenie wartości granicznych ciśnienia może spowodować wybuch pompy i w konsekwencji poważne niebezpieczeństwo. PRZED PRZYSTĄPIENIEM DO CZYSZCZENIA, DEMONTAŻU LUB SERWISOWANIA UPEWNIĆ SIĘ, ŻE ZOSTAŁO WYZEROWANE CIŚNIENIE PŁYNU I POWIETRZA. Jeśli tak się nie stanie, ciśnienie resztkowe może spowodować obrażenia ciała lub rozprysk płynu czyszczącego. Przed opróżnieniem ciśnienia należy najpierw odciąć zasilanie pompy powietrzem.

	OSTRZEŻENIE OCHRONA CIAŁA
	UŻYTKOWAĆ W DOBRZE WENTYLOWANYM MIEJSCU W KABINIE LAKIERNICZEJ. Niewystarczająca wentylacja może spowodować zatrucie rozpuszczalnikami organicznymi oraz pożar. Jeśli podczas pracy poczuje się dziwne objawy, należy niezwłocznie skontaktować się lekarzem.
 	ZAWSZE NOSIĆ ŚRODKI OCHRONY INDYWIDUALNEJ (okulary ochronne, maska, rękawice ochronne). W przeciwnym razie płyn czyszczący może spowodować stan zapalny oczu i skóry. Jeśli podczas pracy źle się poczuje, należy niezwłocznie skontaktować się lekarzem.
 	Poziom hałasu wydawanego przez pistolet natryskowy ANEST IWATA nie przekracza 85 dB (A) średniej ważonej wartości ciśnienia akustycznego przy dziennym narażeniu. Zaleca się zawsze stosowanie ochrony uszu, gdyż w miejscu użytkowania, wpływ innych urządzeń zainstalowanych w pobliżu może podnieść średnią dopuszczalną wartość hałasu.
 	PRZED ZAŁOŻENIEM LUB ŚCIĄGNIĘCIEM KOŃCÓWKI DYSZY NALEŻY UPEWNIĆ SIĘ, ŻE POMPA ZOSTAŁA ZATRZYMANA, CIŚNIENIE PŁYNU ZREDUKOWANE DO 0, A NA PISTOLET ZOSTAŁA ZAŁOŻONA BLOKADA BEZPIECZEŃSTWA. Wyciek farby lub rozpuszczalnika podczas pracy może spowodować poważne niebezpieczeństwo.
	Dla zatrzymania awaryjnego, jeśli odległość między pistoletem a pompą jest dość duża, zaleca się zmontowanie zaworu kulowego w celu odcięcia zasilania farbą wlotu pistoletu.
	NIGDY NIE PRÓBOWAĆ ZATRZYMAĆ WYCIEKÓW FARBY RĘCZNIE. W przypadku wycieku, zatrzymać niezwłocznie pompę i zredukować ciśnienie farby do 0. Wysokie ciśnienie farby może spowodować poważne obrażenia ciała i zagrożenie dla zdrowia. Jeśli podczas pracy źle się poczuje lub ulegnie zranieniu, należy niezwłocznie skontaktować się lekarzem.
	Częste pociąganie za spust podczas pracy może spowodować zespół cieśni kanału nadgarstka. W PRZYPADKU ZMĘCZENIA NALEŻY ZROBIĆ PRZERWĘ.

	OSTRZEŻENIE INNE ŚRODKI OSTROŻNOŚCI
	NIGDY NIE MODYFIKOWAĆ JEDNOSTKI POMPY. Może to spowodować złą wydajność, usterki i w ekstremalnych przypadkach, wybuch. NIE WCHODZIĆ W OBSZAR PRACY ROBOTÓW, MANIPULATORÓW, ITP. DO MOMENTU, GDY NIE ZOSTANĄ WYŁĄCZONE. Mogłyby one spowodować obrażenia. NIGDY NIE UŻYWAĆ POMPY DO SPRYSKIWANIA ŻYWNOCI LUB PRODUKTÓW FARMACEUTYCZNYCH. Substancje obce mogłyby spowodować korozję lub przepływ płynów mających negatywny wpływ na zdrowie. JEŚLI DOJDZIE DO NIEPRAWIDŁOWOŚCI, NALEŻY NIEZWŁOCZNIE ZATRZYMAĆ PRACĘ I ODNALEŻĆ PRZYCZYNĘ. Nie używać pompy do momentu, gdy nie zostanie usunięta przyczyna nieprawidłowości. NIGDY NIE UŻYWAĆ CZĘŚCI ZAMIENNYCH INNYCH NIŻ ORYGINALNE ANEST IWATA.

	OSTRZEŻENIE WYBUCH PRZEWODU PŁYNU
	NIGDY NIE UŻYWAĆ PĘKNIĘTEGO, USZKODZONEGO, ZGIĘTEGO LUB ZGNIĘCIONEGO PRZEWODU PŁYNU. Wysokie ciśnienie wysyłane przez mały otwór może przebić metalową płytę i spowodować poważne niebezpieczeństwo. NIGDY NIE ZGINAĆ PRZEWODU NA PROMIEN PRZEKRACZAJĄCY TEN DOPUSZCZALNY. Skontaktować się z producentem lub sprzedawcą przewodu w celu poznania dopuszczalnych promieni zagięcia. Nigdy nie kłaść ciężkich przedmiotów na przewodzie farby, gdyż może to spowodować jego uszkodzenie. Przewód mógłby wybuchnąć, powodując poważne niebezpieczeństwo.

3. ODNOŚNE INSTRUKCJE

Kod instrukcji	Model	Opis
040057A0	ICON-M233N/ ICON-A233N	Pompy ICON
W5MSG5	MSG5-200 EVO	Instrukcja pistoletu Multi Spray
MJ T080-00	ALG-7 TE WB	Instrukcja pistoletu Airless

KONFIGURACJI POMPY iCon "MULTI SPRAY"

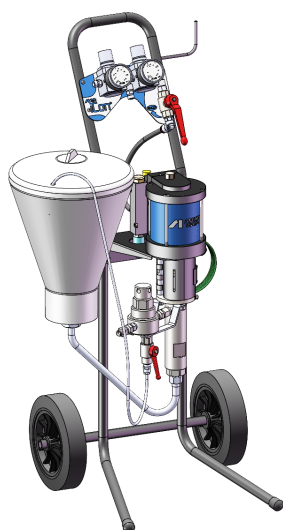
ICON M233N-S

Jednostka pompy zamontowana na WÓZKU z ZESTAWEM PRZEWODU SSAWNEGO
 2 Regulatory Ciśnienia Powietrza (1 dla pompy i 1 dla pistoletu)
 Jednostka filtra przesyłu farby TF-1S (siatka 100)
 Przewód ssawny z filtrem (siatka 50)
 Przewód recyrkulacji płynu
 Wymiary (LxWxH): 495 x 450 x 965 mm - Waga 16 kg



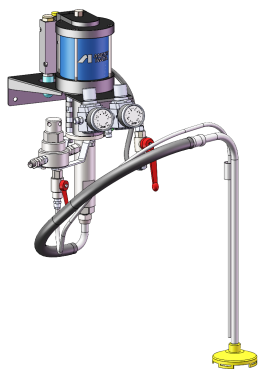
ICON M233N-H

Jednostka pompy zamontowana na WÓZKU z ZESTAWEM ZASOBNIKA GRAWITACYJNEGO
 2 Regulatory Ciśnienia Powietrza (1 dla pompy i 1 dla pistoletu)
 Jednostka filtra przesyłu farby TF-1S (siatka 100)
 Zestaw zasobnika grawitacyjnego (6 l) z filtrem (siatka 50)
 Przewód recyrkulacji płynu
 Wymiary (LxWxH): 495 x 550 x 965 mm - Waga 16 kg



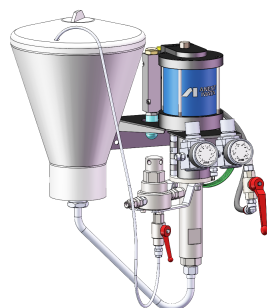
ICON M233N-SWM

Jednostka pompy zamontowana na ŚCIANIE z ZESTAWEM PRZEWODU SSAWNEGO
 2 Regulatory Ciśnienia Powietrza (1 dla pompy i 1 dla pistoletu)
 Jednostka filtra przesyłu farby TF-1S (siatka 100)
 Zestaw przewodu ssawnego z filtrem (siatka 50)
 Przewód recyrkulacji płynu
 Wymiary (LxWxH): 380 x 320 x 515 mm - Waga 11 kg



ICON M233N-HWM

Jednostka pompy zamontowana na ŚCIANIE z ZESTAWEM ZASOBNIKA
 2 Regulatory Ciśnienia Powietrza (1 dla pompy i 1 dla pistoletu)
 Jednostka filtra przesyłu farby TF-1S (siatka 100)
 Zestaw zasobnika grawitacyjnego (6 l) z filtrem (siatka 50)
 Przewód recyrkulacji płynu
 Wymiary (LxWxH): 380 x 420 x 515 mm - Waga 11 kg



KONFIGURACJA POMPY iCon "AIRLESS"

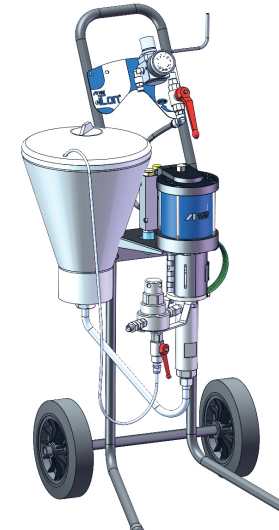
ICON A233N-S

Jednostka pompy zamontowana na WÓZKU z ZESTAWEM PRZEWODU SSAWNEGO
 Regulator ciśnienia powietrza
 Jednostka filtra przesyłu farby TF-1S (siatka 100)
 Przewód ssawny z filtrem (siatka 50)
 Przewód recyrkulacji płynu
 Wymiary (LxWxH): 495 x 450 x 965 mm - Waga 16 kg



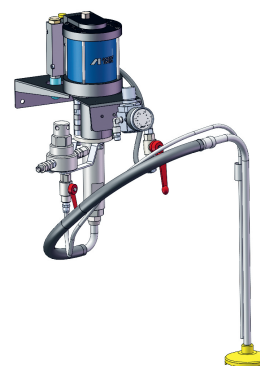
ICON A233N-H

Jednostka pompy zamontowana na WÓZKU z ZESTAWEM ZASOBNIKA GRAWITACYJNEGO
 Regulator ciśnienia powietrza
 Jednostka filtra przesyłu farby TF-1S (siatka 100)
 Zestaw zasobnika grawitacyjnego (6 l) z filtrem (siatka 50)
 Przewód recyrkulacji płynu
 Wymiary (LxWxH): 495 x 550 x 965 mm - Waga 16 kg



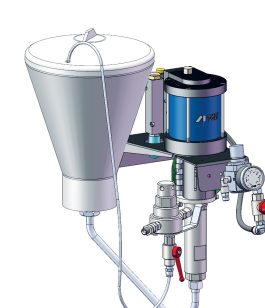
ICON A233N-SWM

Jednostka pompy zamontowana na ŚCIANIE z ZESTAWEM PRZEWODU SSAWNEGO
 Regulator ciśnienia powietrza
 Jednostka filtra przesyłu farby TF-1S (siatka 100)
 Zestaw przewodu ssawnego z filtrem (siatka 50)
 Przewód recyrkulacji płynu
 Wymiary (LxWxH): 380 x 320 x 515 mm - Waga 11 kg



ICON A233N-HWM

Jednostka pompy zamontowana na ŚCIANIE z ZESTAWEM ZASOBNIKA
 Regulator ciśnienia powietrza
 Jednostka filtra przesyłu farby TF-1S (siatka 100)
 Zestaw zasobnika grawitacyjnego (6 l) z filtrem (siatka 50)
 Przewód recyrkulacji płynu
 Wymiary (LxWxH): 380 x 420 x 515 mm - Waga 11 kg

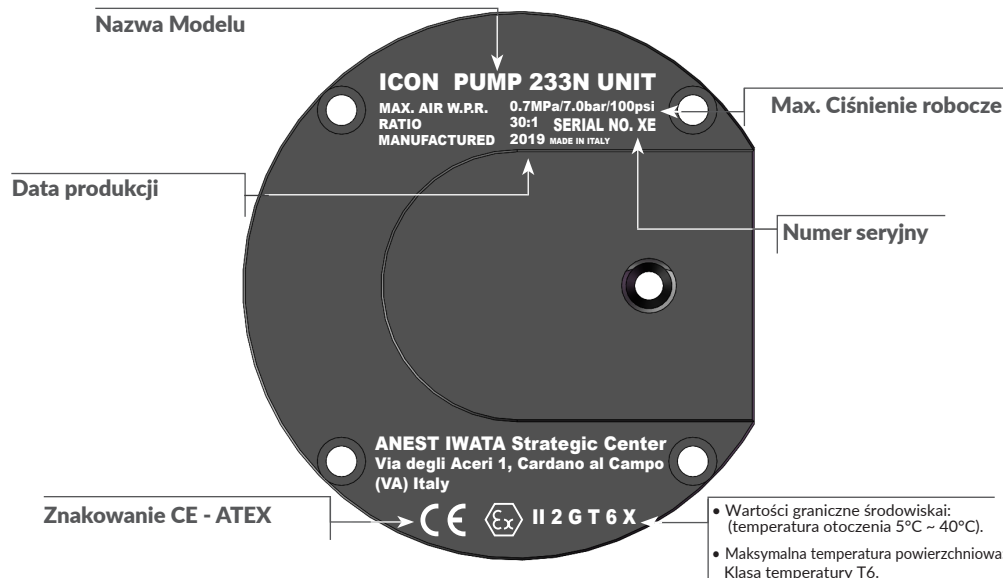


4. DANE TECHNICZNE

WERSJE	ICON-M233N	ICON-A233N
Pompa nurnikowa:	PP-3025N	
Średnica cylindra silnika powietrza:	100 mm	
Filtr farby:	Filtr przesyłu farby	TF-1S (Siatka 100)
	Filtr ssawny płynu	Siatka 50
Max ciśnienie płynu roboczego:	210 bar (21 MPa)	
Max ciśnienie wlotu powietrza:	7.0 bar (0.7 MPa)	
Stosunek ciśnienia:	30:1	
Temperatura robocza:	5°~40° C	
Poziom hałas:	84.7 dB(A)	
Zużycie powietrza:	110 NI/min. przy 30 cyk/min.	
Wylot płynu:	Max przesył płynu	25 ml
	Max przepływ/min	2.5 l/min.
Max. L.ba cykli na minutę	100 cykli	
Materiał zwilżanych części	Zestaw filtra farby	Korpus: AISI303 - Filtr: AISI304/Poliamid
	Zestaw przewodu ssawnego	Przewód: Gomma Przewód, Filtr i Złącze: AISI304
	Pompa płynu	Głównie: AISI303 - PE - PTFE

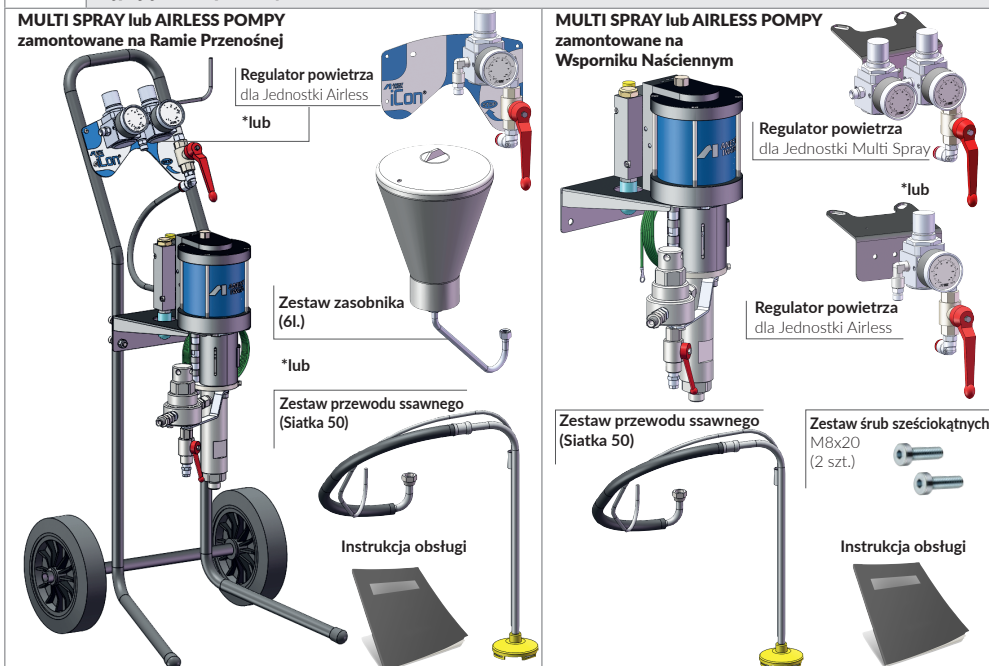
5. IDENTYFIKACJA PRODUKTU

TABLICZKA ZNAMIONOWA: Tabliczki znamionowe producenta jest umieszczona na jednostce Multi Spray i Airless (zobacz poniższą ilustrację). Nie mogą być one usuwane, nawet po sprzedaży sprzętu. Przy każdym kontakcie z producentem należy zawsze podać numer znajdujący się na tabliczce pompy.



6. ZAWARTOŚĆ OPAKOWANIA

! Po otrzymaniu i przed rozpoczęciem użytkowania pompy należy upewnić się, że nie została ona uszkodzona na podczas lub magazynowania transportu. Należy również sprawdzić czy w opakowaniu znajdują się następujące komponenty standardowe.



6.1 TRANSPORT I PRZENOSZENIE

W celu transportu sprzętu można używać wyłącznie systemów opisanych poniżej. W każdym razie należy upewnić się, że środki do transportu i podnoszenia mają odpowiedni udźwóg do wagi opakowania.

OSTRZEŻENIE	ZAWSZE UTRZYMYWAĆ OPAKOWANIE W POZYCJI PIONOWEJ.
!	ZALECA SIĘ, BY OPERATORZY WYZNACZENI DO CZYNNOŚCI PRZENOSZENIA SPRZĘTU NOSILI RĘKAWICE I OBUWIE OCHRONNE.
	PRZED ROZPOCZĘCIEM PODNOSZENIA LUB PRZENOSZENIA SPRZĘTU LUB INNYCH KOMPONENTÓW UWOLNIĆ OBSZAR PRACY. POZOSTAWIĆ RÓWNIEŻ WYSTARCZAJĄCĄ ILOŚĆ MIEJSCA WOKÓŁ SPRZĘTU, BY UNIKNAĆ OBRAŻEŃ LUDZI I USZKODZENIA RZECZY.

6.2 PRZENOSZENIE I MAGAZYNOWANIE

SPRZĘT UMIESZCZONY JEST W KARTONOWYM OPAKOWANIU I OWINIĘTY MATERIAŁEM TŁUMIĄCYM WSTRZĄSY.

OSTRZEŻENIE	DO PRZENOSZENIA KARTONOWEGO OPAKOWANIA NALEŻY UŻYĆ WÓZKA.
!	ŚLEDZIĆ INSTRUKCJE NA OPAKOWANIU PRZED ROZPOCZĘCIEM PRZENOSZENIA LUB OTWARCIA.
	PODCZAS TRANSPORTU I MAGAZYNOWANIA NALEŻY UPEWNIĆ SIĘ, ŻE NIE ZOSTAŁ PRZEKROCZONY ZAKRES TEMPERATUR OD 0 DO 40°C. W PRZYPADKU MAGAZYNOWANIA, UPEWNIĆ SIĘ, ŻE SPRZĘT NIE ZOSTAŁ UMIESZCZONY W MIEJSCACH O ZBYT DUŻEJ WILGOCI.

7. INSTALACJA

⚠ OSTRZEŻENIE	ŚRODKI OSTROŻNOŚCI
	W CELU ZAPEWNIENIA PRAWIDŁOWEJ PRACY SPRZĘTU I JEGO URZĄDZEŃ ZABEZPIEZAJĄCYCH POMP MUSI BYĆ ZAINSTALOWANA PRZEZ WYKWALIFIKOWANY PERSONEL.
	NIE NALEŻY W ŻADNYM WYPADKU ZMIENIAĆ ORYGINALNEJ KONFIGURACJI SPRZĘTU.
	UZIEMIĆ POMPĘ, PISTOLET PRZY UŻYCIU PRZEWODU PŁYNU PRZEWODZĄCEGO I PRZEWODÓW UZIEMIAJĄCYCH DOSTARCZONYCH WRAZ ZE SPRZĘTEM.
	SPRAWDZIĆ PRAWIDŁOWE DOKRĘCENIE WSZYSTKICH MOCOWAŃ, GDYŻ ICH NAGŁE OTWARCIE MOGŁOBY SPOWODOWAĆ POWAŻNE OBRAŻENIA.
	DOKŁADNIE PRZECZYTAĆ I PRZESTRZEGAĆ OSTRZEŻEŃ BEZPIECZEŃSTWA W INSTRUKCJI DANEGO PISTOLETU. ICON-M233N: MSGS-200 EVO / ICON-A233N: ALG7 TE
	PRZED INSTALACJĄ USTAWIĆ REGULATORY PŁYNU I POWIETRZA NA 0 barów.
	RUCHOME CZĘŚCI POMPY MOGŁYBY ODCIĄĆ PALCE LUB POWAŻNIE ZRANIĆ INNE CZĘŚCI CIAŁA. PODCZAS PRACY KATEGORYCZNIE ZABRANIA SIĘ OTWIERANIA OSŁON ZABEZPIEZAJĄCYCH LUB WKŁADAĆ PALCE DO WNIĘTRZA.

7.1 INSTALACJA ICON-M233N

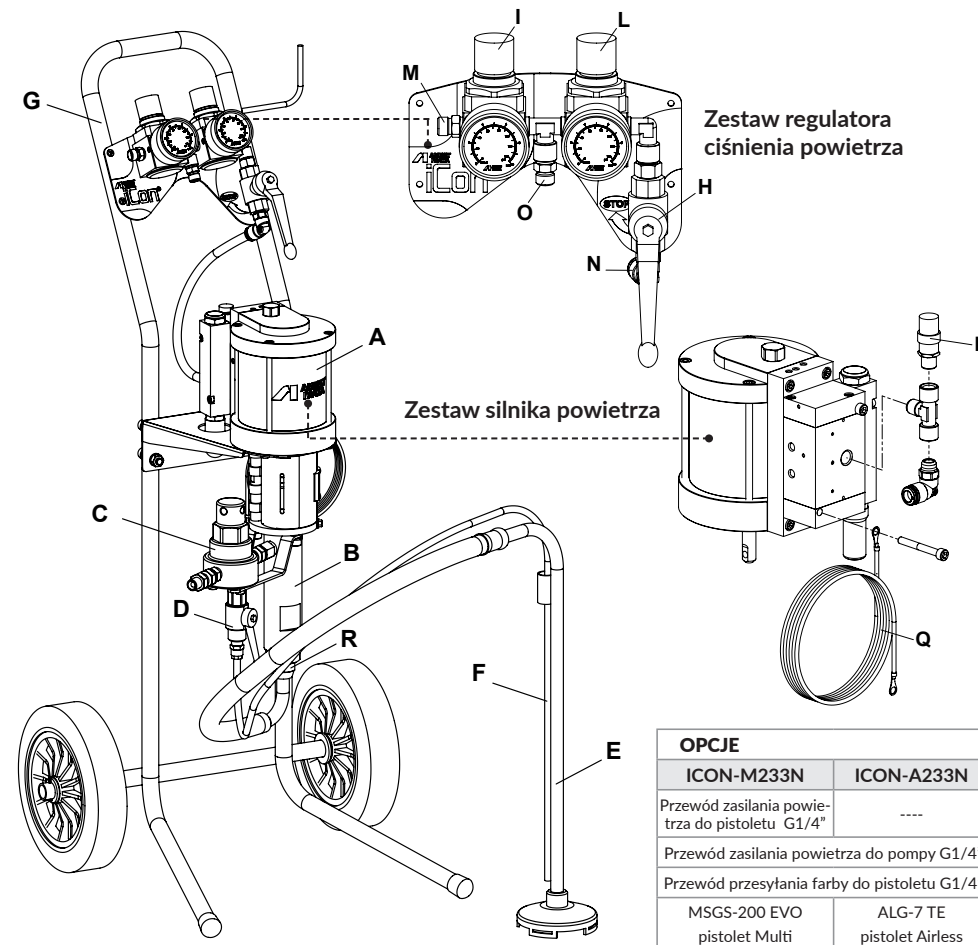
WAŻNE: Zobacz kolejną stronę dla zapoznania się z wykazu części konfiguracji.

- Umieścić sprzęt na powierzchni poziomej.
- Dobrze podłączyć przewód ssawny (E) lub zasobnik do złącza wlotu farby (R), a przewód drenujący (F) do zaworu drenującego (D).
- Podłączyć przewód bliźniaczy dla farby i powietrza do filtra przewodu przesyłowego farby (C) i do złącza regulatora powietrza (M).
- Prawidłowo podłączyć wolną końcówkę przewodu uziemiającego (Q) do uziemienia.
- Podłączyć drugą końcówkę przewodu bliźniaczego powietrza/farby do złącza wlotu pistoletu Multi Spray.
- Podłączyć przewód zasilający powietrze do złącza wlotu zasilania powietrzem (O).

7.2 INSTALACJA ICON-A233N

- Umieścić sprzęt na powierzchni poziomej.
- Dobrze podłączyć przewód ssawny (E) do złącza wlotu farby (R), a przewód drenujący (F) do zaworu drenującego (D).
- Podłączyć przewód farby do zasilania farbą filtra przesyłu farby (C).
- Prawidłowo podłączyć wolną końcówkę przewodu uziemiającego (Q) do uziemienia.
- Podłączyć drugą końcówkę przewodu farby do złącza wlotu pistoletu Airless.
- Podłączyć przewód zasilający powietrze do złącza wlotu zasilania powietrzem (O).

7.3 KONFIGURACJA JEDNOSTKI



OPCJE	
ICON-M233N	ICON-A233N
Przewód zasilania powietrza do pistoletu G1/4"	----
Przewód zasilania powietrza do pompy G1/4"	
Przewód przesyłania farby do pistoletu G1/4"	
MSGS-200 EVO pistolet Multi	ALG-7 TE pistolet Airless

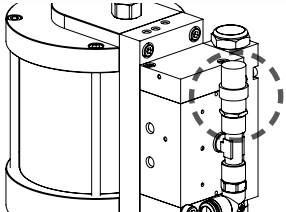

GŁÓWNA KONFIGURACJA

A Silnik powietrza	POMPA NURNIKOWA	I Regulator ciśnienia (dla pistoletu natryskowego)
B Pompa płynu		L Regulator ciśnienia (dla pompy)
C Filtr przesyłu farby TF-1S (siatka 100)		M Złączka gwintowana zasilania powietrzem dla pistoletu
D Zawór drenujący		N Złączka gwintowana zasilania powietrzem dla pompy
E Przewód ssawny	Siatka 50	O Wlot powietrza
F Przewód drenujący	1.7 m - ø 6 x 8	P Zawór bezpieczeństwa
G Zestaw wózka		Q Przewód uziemiający 1.6 m
H Kulowy zawór bezpieczeństwa		R Złącze wlotu płynu

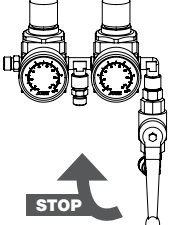

8. SYSTEMY ZABEZPIEZAJĄCE

Na etapie projektowania i produkcji jednostek ICON zostały przewidziane różne systemy zabezpieczające mająca na celu ochronę operatora, zgodnie z normą EN 12621:2010.

8.1 ZAWÓR BEZPIECZEŃSTWA


	ZAWORY BEZPIECZEŃSTWA SKALIBROWANY NA 8 BARÓW ZOSTAŁ ZAMONTOWANY W CELU KONTROLI, BY CIŚNIENIE ROBOCZE NIE PRZEKRACZAŁO WARTOŚCI GRANICZNYCH W OBWODZIE ZASILAJĄCYM.
	OSTRZEŻENIE! NIE USUWAĆ PLASTYKOWEJ OSŁONY ZAWORU. JAKAKOLWIEK MODYFIKACJA MOGŁABY BYĆ NIEBEZPIECZNA DLA OPERATORA I MOGŁABY NEGATYWNIE WPŁYNAĆ NA PRAWIDŁOWE FUNKCJONOWANIE SPRZĘTU.

8.2 KULOWY ZAWÓR BEZPIECZEŃSTWA


	OSTRZEŻENIE
	W PRZYPADKU NIEPRAWIDŁOWOŚCI PODCZAS PRACY, PRZEKRĘCIĆ DŹWIGNIĘ ZAWORU O 90° DLA ZATRZYMANIA AWARYJNEGO. W TEN SPOSÓB ZASILANIE POWIETRZEM BĘDZIE PRZERWANE, A ZATRZYMANIE CIŚNIENIA MIESZKANEGO WEWNĄTRZ POMPY ZOSTANIE ZWOLNIANE.

9. PRODUKTY OBRABIANE


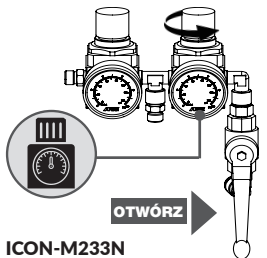
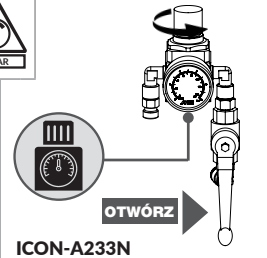
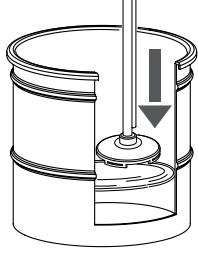
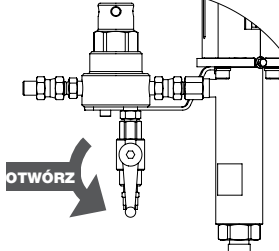
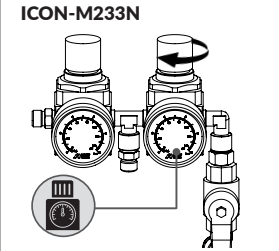
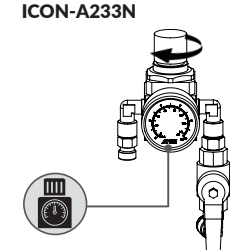
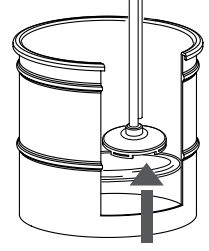
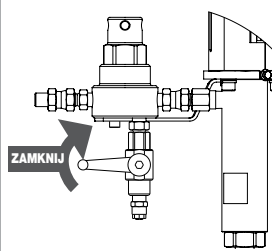
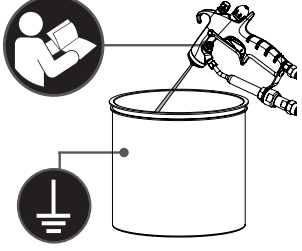
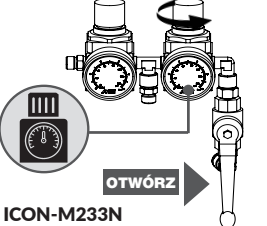
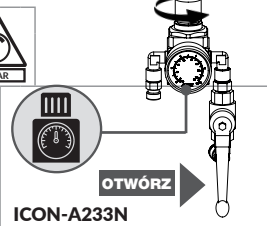
POMPY ICON ANEST IWATA SĄ PRZEZNACZONE DO MALOWANIA MATERIAŁÓW ŻELAZNYCH, DREWNA I TWORZYW SZTUCZNYCH.

OSTRZEŻENIE	PRZED UŻYCIEM SPRZĘTU ZE SPECJALNYMI PRODUKTAMI NALEŻY UZYSKAĆ ZGODĘ PRODUCENTA. NIE UŻYWAĆ:
	- ŻADNYCH ROZPUSZCZALNIKÓW WĘGLOWODOROWYCH, TAKICH JAK TRICHLOROETAN, CHLOREK METYLU LUB INNE PODOBNE; - ŻADNYCH PRODUKTÓW TOKSYCZNYCH, TAKICH JAK BENZYNA, NAFTA LUB GAZÓW PALNYCH; - ŻADNYCH PRODUKTÓW TOKSYCZNYCH, TAKICH JAK BENZYNA, NAFTA LUB GAZÓW PALNYCH. - ŻADNYCH HERBICYDÓW, PESTYCYDÓW CZY PŁYNÓW RADIOAKTYWNYCH

10. PRACA

	OSTRZEŻENIE UZIEMIĆ POMPE, PISTOLET NATRYSKOWY, ELEMENT DO OBRÓBK I POJEMNIKI ZAWIERAJĄC PŁYN CZYSZCZĄCY UŻYWANY DO PŁUKANIA. UŻYWAĆ TYLKO WIADER PRZEWODZĄCYCH USTAWIONYCH W UZIEMIIONYM MIEJSCU. Nieodpowiednie uziemienie może spowodować pożar i wybuch z powodu statycznego prądu elektrycznego lub iskrzenia elektrycznego.
---	---

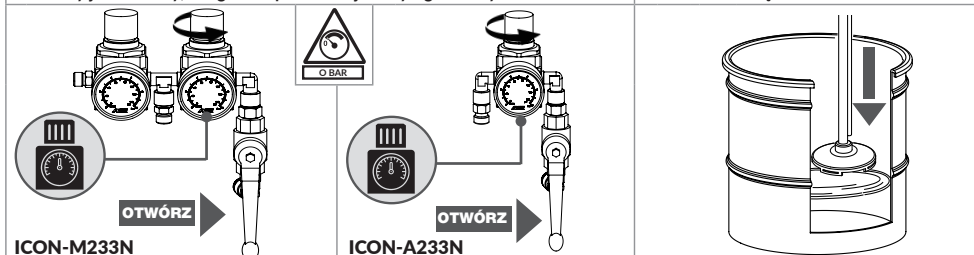
10.1 PŁUKANIE PRZED UŻYCIEM

		UWAGA: POMPA MUSI ZOSTAĆ WYCYSZCZONA PRZED PIERWSZYM UŻYCIEM, PO PRACY I PO KAŻDEJ ZMIANIE KOLORU.
1	Po instalacji (rozdz. 7), przed włączeniem zasilania, potwierdź, że zawór kulowy jest otwarty, a regulator powietrza jest wyregulowany na 0 barów.	2 Zanurzyć przewód ssawny w pojemniku zawierającym płyn czyszczący.
		
3	Otworzyć zawór drenujący dla cyrkulacji płynu.	4 Ustawić powoli regulator ciśnienia na minimalnym wymaganym ciśnieniu dla prostego i przemiennego ruchu tłoka.
		
5	Po przepłukaniu, opróżnić użyty środek czyszczący przez przewód drenujący, podnieść przewód ssawny powyżej poziomu płynu.	6 Zamknąć zawór drenujący.
		7 Odprowadzić płyn czyszczący przez pistolet natryskowy.
	8 Ustawić regulator ciśnienia powietrza na 0 bar.	
		

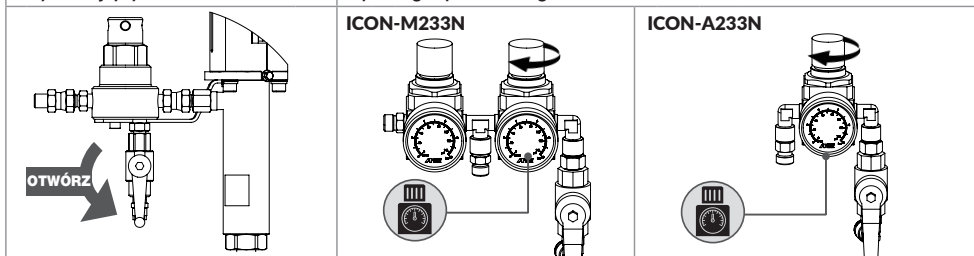
10.2 UŻYTKOWANIE

WAŻNE! PRZED UŻYCIEM POMPY BARDZO WAŻNE JEST DOKŁADNE PRZECZYTANIE I PRZESTRZEGANIE OSTRZEŻENI I UWAG ZAWARTYCH W INSTRUKCJI OBSŁUGI DANEGO PISTOLETU. MSGS-200 EVO (z pompą Multi Spray) lub ALG-7 TE (z pompą Airless).

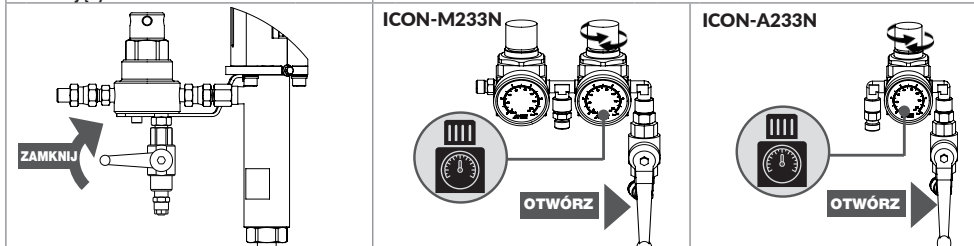
- Po przepłukaniu (zobacz 10.1), przed włączeniem zasilania, potwierdź, że zawór kulowy jest otwarty, a regulator powietrza jest wyregulowany na 0 barów.
- Zanurzyć przewód ssawny w pojemniku na farbę.



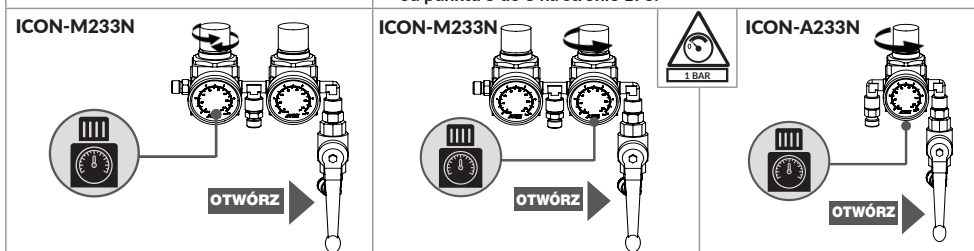
- Otworzyć zawór drenujący dla cyrkulacji płynu.
- Ustawić powoli regulator ciśnienia na minimalnym wymaganym ciśnieniu dla prostego i przemiennego ruchu tłoka.



- Upewnić się, że farba wypływa z przewodu cyrkulacyjnego, następnie zamknąć zawór drenujący.
- Wyregulować regulator ciśnienia powietrza w celu uzyskania ciśnienia roboczego płynu.



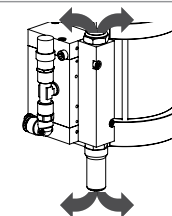
- Wyregulować regulator ciśnienia powietrza w celu uzyskania ciśnienia tłoczenia.
- Po zakończeniu natrysku ustawić regulator ciśnienia powietrza pompy poniżej 1 bar, następnie powtórzyc instrukcje od punktu 5 do 8 na stronie 173.



OSTRZEŻENIE!



PODCZAS PRACY POMPA ODPROWADZA ZUŻYTE POWIETRZE PRZEZ TŁUMIK. NIE DOTYKAĆ BLOKU TŁUMIKA PODCZAS PRACY POMPY.



10.3 PRZYROSTOWE CIŚNIENIE PŁYNU

Model	Współczynnik	Ustawienie Regulatora Powietrza	Przyrostowe Ciśnienie Płynu
ICON-M233N	30:1	0.3MPa (3bar - 43.5psi)	9.0MPa (90bar - 1305psi)
		0.5MPa (5bar - 72.5psi)	15.0MPa (150bar - 2175psi)
ICON-A233N		0.7MPa (7bar - 100psi)	21.0MPa (210bar - 3045psi)

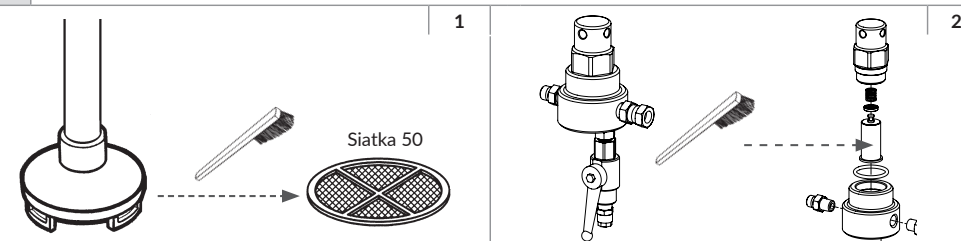
11. KONSERWACJA ZWYCZAJNA

11.1 KONSERWACJA CODZIENNA

- PŁUKANIE POMPY:** Wyczyścić jednostkę pompy po pracy i po każdej zmianie koloru
- UPEWNIĆ SIĘ, ŻE NIE DOCHODZI DO WYCIĘKÓW FARBY LUB POWIETRZA:** Sprawdzić czy przewody nie są uszkodzone i czy wszystkie połączenia gwintowane są odpowiednio dokręcone. Interweniować natychmiast w razie wykrycia nieprawidłowości.

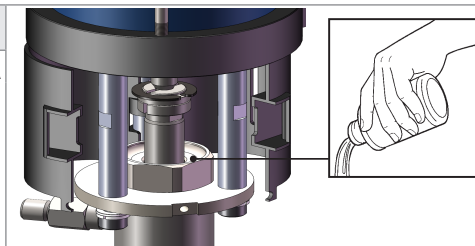
11.2 KONSERWACJA MIESIĘCZNA

- SPRAWDZIĆ FILTR PRZEWODU SSAWNEGO:** sprawdzić czy filtr nie jest zatkany lub uszkodzony. Wyczyścić lub wymienić go, jeśli zachodzi taka potrzeba.
- SPRAWDZIĆ WKŁAD FILTRA PRZESYŁU GARBYSIA (TF-1S):** sprawdzić czy nie jest zatkany lub uszkodzony. Wyczyścić lub wymienić go, jeśli zachodzi taka potrzeba.

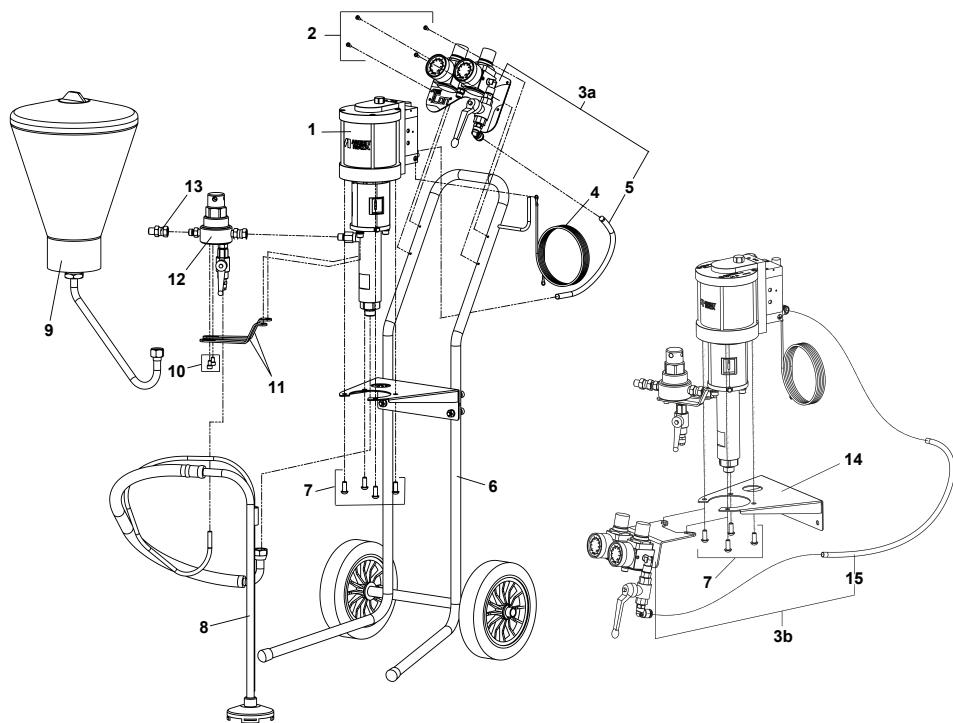


WSKAZÓWKA!

POMPA ICON X3 ZOSTAŁA ZAPROJEKTOWANA DO PRACY Z FARBAMI BEZ KONIECZNOŚCI JEJ SMAROWANIA. JEDNAK W PRZYPADKU INTENSYWNEGO UŻYTKOWANIA ZALECA SIĘ UŻYCIĘ ŚRODKA SMAROWOWEGO ANEST IWATA (94445770 - NIEZAWARTEGO W DOSTAWIE) NA UCHWYCIĘ USZCZELEK, BY PRZEDŁUŻYĆ ICH ŻYWIOTNOŚĆ.

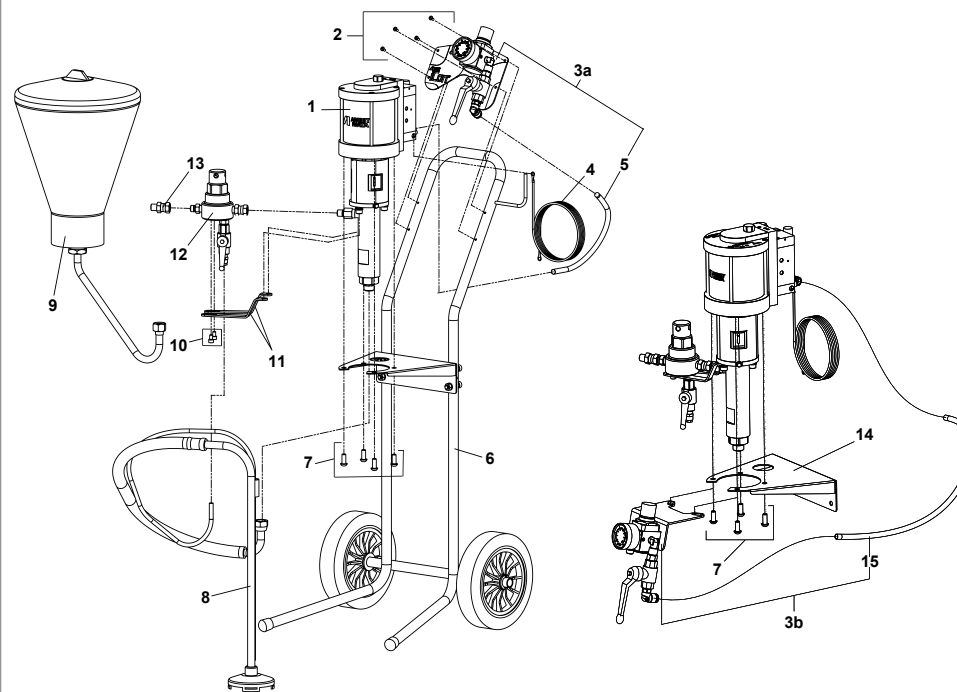


12. KONFIGURACJA JEDNOSTKI Icon X3 wersji MULTI SPRAY



Odn.	Kod	Opis
1	-	POMPA NURNIKOWA (PP-3025N)
2	94444790	ŚRUBA KULISTA Z GNIAZDEM IMBUSOWYM (4 szt.)
3a	940188A0	ZESTAW REGULATORA POWIETRZA dla wersji PRZENOŚNEJ
3b	940189A0	ZESTAW REGULATORA POWIETRZA dla wersji MONTOWANEJ NA ŚCIANIE
4	ME100001	ZESTAW UZIEMIAJĄCY
5	940157A0	PRZEWÓD POWIETRZA 0,3 m (dla Wersji Przenośnej)
6	940085A0	ZESTAW RAMY PRZENOŚNEJ
7	960055A0	ŚRUBA KULISTA Z GNIAZDEM IMBUSOWYM M8x20 SET (4 szt.)
8	0101010000	ZESTAW PRZEWODU SSAWNEGO
9	04005510	ZESTAW ZASOBNIKA 6 l. .
10	960056A0	ZESTAW ŚRUB SZEŚCIOKĄTNYCH M6x10 (2 szt.)
11	940052A0	FILTR
12	140002A0	ZESTAW FILTRA PRZESYŁU FARBY TF-1S
13	94006030	REDUKCJA G1/4"F - NPSM 1/4"M
14	940192A0	WSPORNIK DO MONTAŻU NA ŚCIANIE
15	940060A0	PRZEWÓD POWIETRZA 0,5 m (dla Wersji Montowanej na Ścianie)

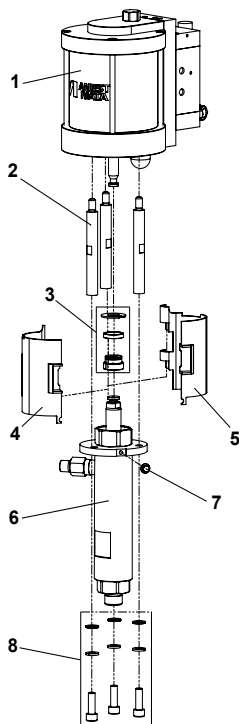
12. KONFIGURACJA JEDNOSTKI Icon X3 wersji AIRLESS



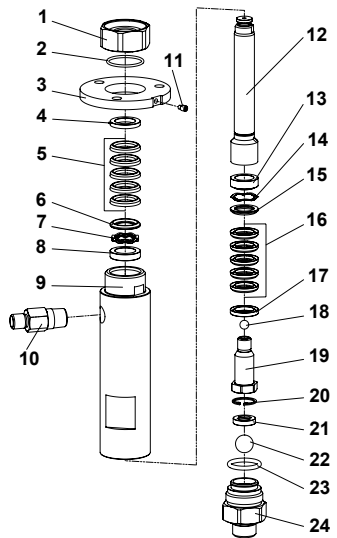
Odn.	Kod	Opis
1	-	POMPA NURNIKOWA (PP-3025N)
2	94444790	ŚRUBA KULISTA Z GNIAZDEM IMBUSOWYM (4 szt.)
3a	940190A0	ZESTAW REGULATORA POWIETRZA dla wersji PRZENOŚNEJ
3b	940191A0	ZESTAW REGULATORA POWIETRZA dla wersji MONTOWANEJ NA ŚCIANIE
4	ME100001	ZESTAW UZIEMIAJĄCY
5	940157A0	PRZEWÓD POWIETRZA 0,3 m (dla Wersji Przenośnej)
6	940085A0	ZESTAW RAMY PRZENOŚNEJ
7	960055A0	ŚRUBA KULISTA Z GNIAZDEM IMBUSOWYM M8x20 SET (4 szt.)
8	0101010000	ZESTAW PRZEWODU SSAWNEGO
9	04005510	ZESTAW ZASOBNIKA 6 l.
10	960056A0	ZESTAW ŚRUB SZEŚCIOKĄTNYCH M6x10 (2 szt.)
11	940052A0	FILTR
12	140002A0	ZESTAW FILTRA PRZESYŁU FARBY TF-1S S
13	94006030	REDUKCJA G1/4"F - NPSM 1/4"M
14	940192A0	WSPORNIK DO MONTAŻU NA ŚCIANIE
15	940060A0	PRZEWÓD POWIETRZA 0,5 m (dla Wersji Montowanej na Ścianie)

12.1 ZESTAW POMPY NURNIKOWEJ

Odn.	Kod	Opis
1	940000A0	SILNIK POWIETRZA
2	940036A0	KORBOWÓD
3	940193A0	ZESTAW POŁĄCZENIOWY
4	940093A0	LEWA OSŁONA TRZPIENIA
5	940094A0	PRAWA OSŁONA TRZPIENIA
6	940014A0	ZESTAW POMPY PŁYNU
7	960047A0	ŚRUBA KOŁNIERZOWA M5x12
8	940170A0	ZESTAW ŚRUB I PODKŁADEK (3+3+3 szt.)



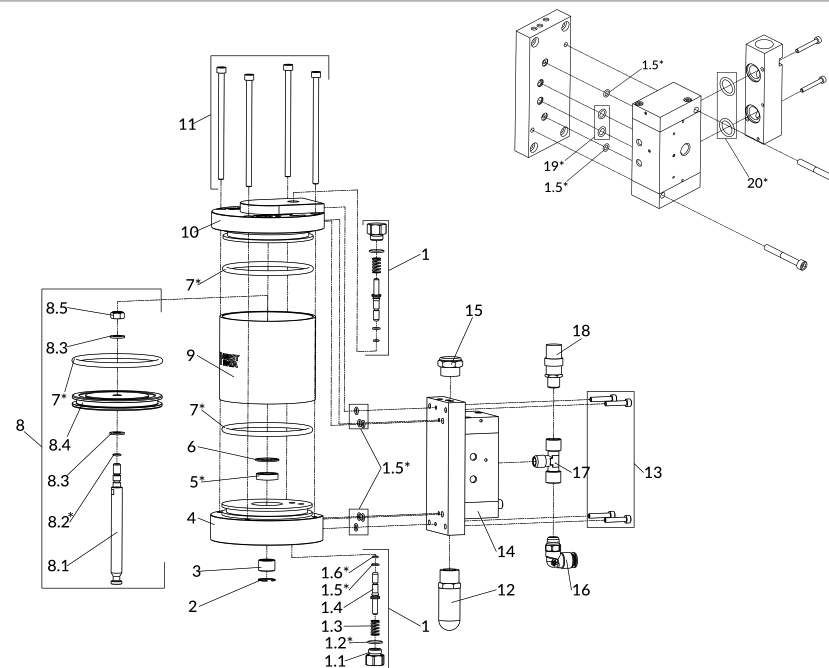
12.2 ZESTAW POMPY PŁYNU



Odn.	Kod	Opis
9	940015A0	PRZEWÓD SSAWNY
10	940032A0	ZŁĄCZE WYLOTU PŁYNU
11	960040A0	ZATYCZKA
12	940166A0	TRZPIEŃ PRZEWODU SSAWNEGO
13	940127A0	UCHWYT SPRĘŻYNY (DOLNY)
14	940128A0	SPRĘŻYNA ZAGNIEŹDŻONA
15	940129A0	REDUKCJA MĘSKA USZCZELEK V-PACKING (DOLNA)
16	940070A0	ZESTAW USZCZELEK V-PACKING (DOLNY) (3 PE + 2 PTFE)
17	940132A0	REDUKCJA ŻEŃSKA USZCZELEK V-PACKING (DOLNA)
18	06662025	KULA 5/16"
19	940021A0	UCHWYT ZAWORU
20	960014A0	PIERŚCIEŃ SEEGER 20
21	04944770	ZESTAW UCHWYTU ZAWORU
22	06662050	KULA 5/8"
23	960015A0	O-RING 3.53-23.39
24	940033A0	REDUKCJA ZAWORU

Odn.	Kod	Opis
1	940031A0	UCHWYT USZCZELEK
2	960011A0	O-RING 2.0-29.5
3	940112A0	KOŁNIERZ
4	940126A0	REDUKCJA ŻEŃSKA USZCZELEK V-PACKING (GÓRNA)
5	940069A0	ZESTAW USZCZELEK V-PACKING (GÓRNY) (3 PE + 2 PTFE)
6	940123A0	REDUKCJA MĘSKA USZCZELEK V-PACKING (GÓRNA)
7	940122A0	SPRĘŻYNA FALOWA
8	940121A0	UCHWYT SPRĘŻYNY (GÓRNY)

12.3 ZESTAW SILNIKA POWIETRZA



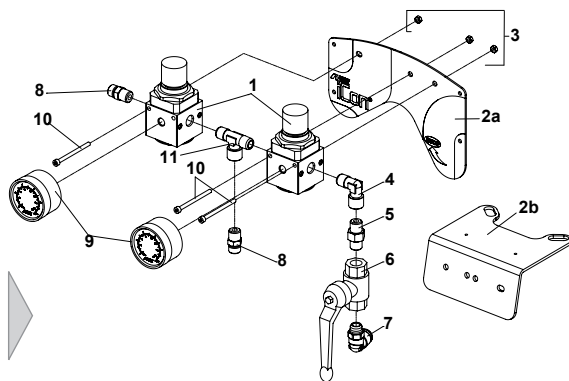
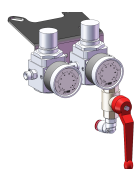
Odn.	Kod	Opis	Odn.	Kod	Opis
1	940073A0	ZESTAW ZAWORU STERUJĄCEGO	8.3	06363080	PODKŁADKA
1.1	940007A0	POKRYWA ZAWORU STERUJĄCEGO	8.4	940004A0	TŁOK POWIETRZA
1.2*	96997009	O-RING \varnothing 1.5-13.5	8.5	960003A0	NAKRĘTKA SZEŚCIOKĄTNA SAMOBLOKUJĄCA
1.3	940006A0	SPRĘŻYNA ZAWORU STERUJĄCEGO	9	940008A0	CYLINDER
1.4	940005A0	WAŁ ZAWORU STERUJĄCEGO	10	940010A0	MODUŁ GŁOWICY
1.5*	96997003	O-RING \varnothing 1.5-5.5	11	960006A0	ŚRUBA SZEŚCIOKĄTNA M6x120 (4 szt.)
1.6*	96997012	O-RING \varnothing 1.5-3.5	12	960010A0	TŁUMIK
2	960000A0	PIERŚCIEŃ SEEGER 18	13	96350525	ŚRUBA SZEŚCIOKĄTNA M5x25 (4 szt.)
3	940002A0	METAL	14	940174A0	ZAWÓR POWIETRZA
4	940001A0	DOLNY MODUŁ	15	04447820	FILTR WYDECHOWY
5*	960001A0	USZCZELKA U-PACKING	16	UL300309	ZŁĄCZKA KOLANKOWA
6	960002A0	PIERŚCIEŃ SEEGER 24	17	UL30030000	ZŁĄCZE W KSZTAŁCIE T
7*	960004A0	O-RING \varnothing 5.33-89.69	18	UL30036000	ZAWÓR BEZPIECZEŃSTWA
8	940065A0	ZESTAW TRZPIENIA TŁOKA	19*	060031A0	O-RING \varnothing 1.78 - 7.65
8.1	940159A0	TRZPIEŃ TŁOKA	20*	060008A0	O-RING \varnothing 2.62 - 15.54
8.2*	960052A0	O-RING \varnothing 1.5-6	(*)	940072A0	ZESTAW O-RING DLA SILNIKA POWIETRZA I ZAWORU POWIETRZA

12.4 ZESTAW REGULATORA POWIETRZA

ZESTAW REGULATORA POWIETRZA dla Jednostki Multi Spray

Wersja PRZENOŚNA

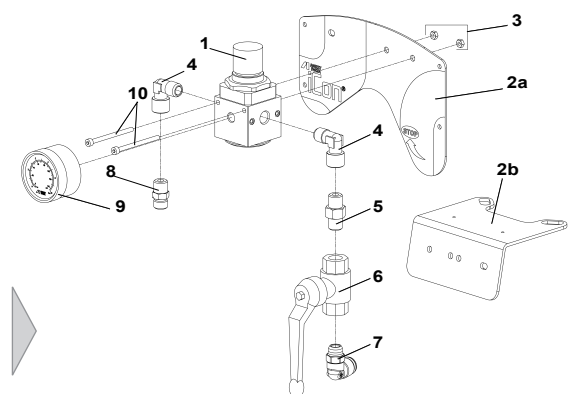
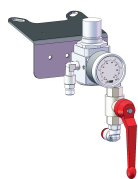
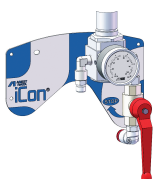
Wersja MONTOWANA NA ŚCIANIE



ZESTAW REGULATORA POWIETRZA dla Jednostki Airless

Wersja PRZENOŚNA

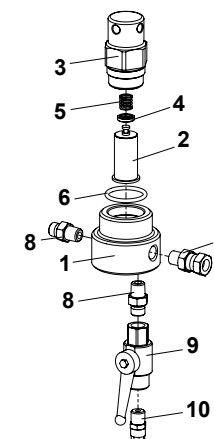
Wersja MONTOWANA NA ŚCIANIE



Odn.	Kod	Opis	Ilość	
			M233N	A233N
1	UI00070001	REGULATOR POWIETRZA	2	1
2a	940156A0	PANEL (dla Wersji Przenośnej)	1	1
2b	UL00005201	PŁYTA DLA REGULATORA POWIETRZA (dla Wersji Montowanej na Ścianie)	1	1
3	UL300700	NAKRĘTKA SZEŚCIOKĄTNA M4	3	2
4	UL300201	ZŁĄCZE W KSZTAŁCIE L	1	2
5	UL300101	ZŁĄCZKA GWINTOWANA	1	1
6	UL30034901	ZAWÓR KULOWY Z OTWOREM WYDECHOWYM	1	1
7	UL300309	ZŁĄCZKA KOLANKOWA	1	1
8	UL30010501	SPECJALNA ZŁĄCZKA GWINTOWANA R1/4" - G1/4"	2	1
9	O2004003	MANOMETR (bar - psi)	2	1
10	O6350455	ŚRUBA Z ŁEBEM WKŁĘŚLYM SZEŚCIOKĄTNYM M4x55	3	2
11	UL300303	ZŁĄCZE W KSZTAŁCIE T	1	0

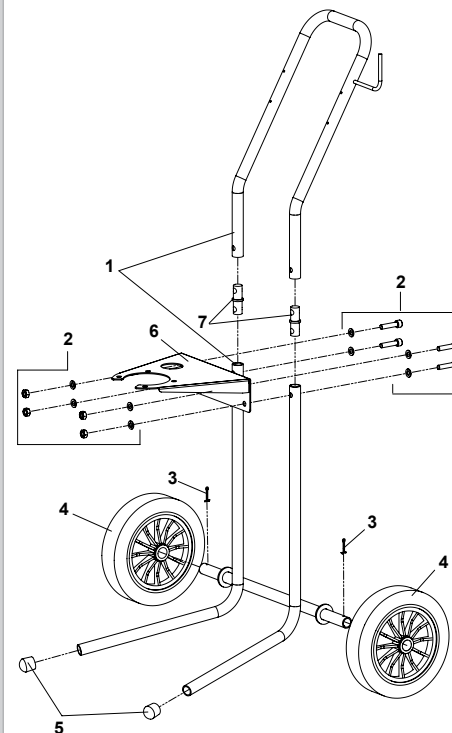
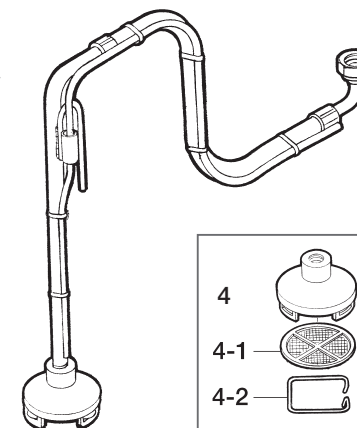
12.5 FILTR PRZESYŁU FARBY TF-15

Odn.	Kod	Opis
1	940053A0	KORPUS FILTRA
2	VFM2704	FILTR SIATKOWY 100
3	940054A0	CYLINDER
4	940055A0	UCHWYT SPRĘŻYNY
5	940056A0	SPRĘŻYNA FILTRA
6	960021A0	O-RING 3.53-32.92
7	96859022	ZŁĄCZE PRZEGUBOWE R1/4" M - G1/4" F
8	UL300462	ZŁĄCZE G1/4" - R1/4"
9	UL30090100	ZAWÓR DRENUJĄCY
10	UL300302	ZŁĄCZE PRZEWODU



12.6 ZESTAW PRZEWODU SSAWNEGO

Odn.	Kod	Opis
4	UL10000701	PEŁEN ZESTAW OSŁONY
4-1	0040720100	FILTR SIATKOWY 50
4-2	00407203	ZATYCZKA FILTRA



12.7 ZESTAW PRZENOŚNY

Odn.	Kod	Opis
1	940113A0	STRUKTURA RAMY PRZENOŚNEJ
2	940169A0	ZESTAW ŚRUB, NAKRĘTEK I PODKŁADEK (4+4+8 szt.)
3	UL300811	ZAWLECZKA
4	UL200001	KOŁO
5	960019A0	GUMOWA NASADKA
6	940192A0	WSPORNIK DO MONTAŻU NA ŚCIANIE
7	940089A0	ELEMENT POŁĄCZENIOWY

13. ROZWIĄZYWANIE PROBLEMÓW

PROBLEM	PRZYCZYNA	KONTROLA	ROZWIĄZANIE
1 Ciśnienie powietrza nie wzrasta.	a Zawór kulowy nie znajduje się w prawidłowej pozycji.	a Upewnić się, że zawór kulowy znajduje się w prawidłowej pozycji.	a Wyregulować pozycję zaworu kulowego.
	b Regulator powietrza nie jest otwarty.	b Sprawdzić prawidłowe funkcjonowanie regulatora powietrza.	b Jeśli jest zamknięty, otworzyć regulator powietrza. Jeśli jest uszkodzony, wymienić go.
	c Niewystarczające ciśnienie powietrza.	c Sprawdzić prawidłowe działanie manometru.	c Jeśli sprężarka nie dostarcza wystarczającego ciśnienia powietrza, wymienić ją na nową, o większej wydajności.
2 Farba nie wypływa z pistoletu.	a Zatkany filtr farby lub obwód farby.	a Otwarcie zaworu drenującego, farba nie wypływa.	a Obwód farby jest zatkany między wlotem pompy a złączką przewodu farby. Odnaleźć miejsce zatkania i usunąć zator z obwodu.
		a1 Otwarcie zaworu drenującego, farba wypływa regularnie, lecz nie, gdy pociąga się za spust pistoletu.	a1 Przepływ farby jest zablokowany między złączką przewodu farby a dyszą pistoletu. Odnaleźć miejsce zatkania i usunąć zator z obwodu; problem jest przeważnie spowodowany przez zatkanie filtra pistoletu. *Zapoznać się z instrukcją obsługi pistoletu.
	b Zatkana dysza.	b Usunąć dyszę i pociągnąć za spust pistoletu. Jeśli farba przepływa regularnie, oznacza to, że dysza jest zatkana.	b *Zapoznać się z instrukcją pistoletu w celu rozwiązania problemu.
	c Wciśnięty przycisk awaryjny.		c Zwolnić przycisk awaryjny.
3 Pompa nie pracuje.	a Powietrze nie zasila pompy	a Sprawdzić przewód zasilający powietrze	a Wymienić go, jeśli jest uszkodzony lub zatkany.
	b Pompa ma problemy techniczne.	b Oddzielić silnik powietrza od zespołu pompującego i przetestować jego działanie przy użyciu innego przewodu zasilającego powietrze.	b Jeśli silnik pracuje prawidłowo, śledzić instrukcje z kolumny rozwiązań, punkt 2 (a-b)
			c Jeśli silnik nie pracuje prawidłowo, zdemontować cylinder i skontrolować go. W przypadku szczególnych nieprawidłowości, wystać go do Serwisu Technicznego.
4 Pompa nie zatrzymuje się.	a Powietrze dostało się do przewodów farby.	a Upewnić się, że przewód zanurzeniowy jest prawidłowo podłączony.	a Dokręcić złączkę przewodu ssawnego.

13. ROZWIĄZYWANIE PROBLEMÓW

PROBLEM	PRZYCZYNA	KONTROLA	ROZWIĄZANIE
4 Pompa nie zatrzymuje się.	b Powietrze pozostaje w przewodach farby.	b Upewnić się, że farba jest w dobrym stanie i że przewód ssawny jest całkowicie zanurzony w produkcie do pompowania.	b Jeśli farba jest w dobrym stanie, zwiększyć jej poziom przynajmniej do momentu zakrycia przewodu ssawnego. Następnie wykonać czynności uruchomienia dotyczące opróżnienia powietrza z przewodów farby.
	c Gniazda i kule (w pompie płynu) są zanieczyszczone lub uszkodzone.	c Zdemontować pompę płynu i sprawdzić gniazdo i stan kuli.	c Wyczyścić je, jeśli są zabrudzone pozostałościami farby. W przeciwnym razie, jeśli nie można ich naprawić, wymienić je.
	d Uszczelki V-packings w pompie płynu są zanieczyszczone lub uszkodzone.	d Zdemontować pompę płynu i sprawdzić stan uszczelek V-packings.	d Wyczyścić je, jeśli są zabrudzone pozostałościami farby. W przeciwnym razie, jeśli nie można ich naprawić, wymienić je.
	e Wycieki z przewodu farby.	e Sprawdzić wszystkie przewody farby.	e Po odnalezieniu miejsca wycieku, usunąć go.
5 Rozmiar natrysku zmienia się ciągle.	f Zawór drenujący nie jest zamknięty.		f Zamknąć zawór drenujący.
	a Uszczelki V-packings (w pompie płynu) są zanieczyszczone lub uszkodzone.	a Zdemontować pompę płynu i sprawdzić stan uszczelek V-packings".	a Wyczyścić je, jeśli są zabrudzone pozostałościami farby. W przeciwnym razie, jeśli nie można ich naprawić, wymienić je.
	b Gniazdo i kula (w pompie płynu) są zanieczyszczone lub uszkodzone.	b Zdemontować pompę płynu i sprawdzić gniazdo i stan kuli.	b Wyczyścić je, jeśli są zabrudzone pozostałościami farby. W przeciwnym razie, jeśli nie można ich naprawić, wymienić je.
	c Zużyta dysza pistoletu.		c Wymienić ją.
6 Manometr wskazuje obecność ciśnienia mimo iż regulator powietrza jest zamknięty.	d Filtr farby obwodu farby jest zatkany.		d Zapoznać się z punktem (2 - a).
	a Uszkodzony regulator powietrza.		a Wymienić regulator powietrza.

EU DECLARATION OF CONFORMITY

PRODUCT OBJECT OF THE DECLARATION: ICON-M233 N - ICON-A233 N

Authorised representative:
ANEST IWATA Strategic Center
Via Degli Aceri, 1
21010 Cardano al Campo, ITALY

Manufacturer:
ANEST IWATA Corporation
3176, Shinyoshida-cho, Kohoku-ku
Yokohama 223-8501, JAPAN

This declaration of conformity is issued under the sole responsibility of the manufacturer

The object of the declaration described above is in conformity with the relevant
Union harmonisation legislation:

Directive 2014/34/EU - EN 1127-1:2019 - EN ISO 80079-36:2016 - EN 1953:2013
Machinery Directive 2006/42/EU

Notified body storage of technical file:
TÜV Italia 0948

Signed for and on behalf of ANEST IWATA Strategic Center
21010 Cardano al Campo, ITALY - January 1st 2022

Takuya Matsumoto
Managing director



UK DECLARATION OF CONFORMITY

PRODUCT OBJECT OF THE DECLARATION: ICON-M233 N - ICON-A233 N

Authorised representative:
ANEST IWATA UK Ltd
7 Chester Rd, Eaton Socon
Saint Neots PE19 8YT, UK

Manufacturer:
ANEST IWATA Corporation
3176, Shinyoshida-cho, Kohoku-ku
Yokohama 223-8501, JAPAN

This declaration of conformity is issued under the sole responsibility of the manufacturer

The object of the declaration described above is in conformity with the relevant
Union harmonisation legislation:

UKSI 2016:1107 - BS EN 1127-1:2019 - BS EN ISO 80079-36 - BS EN 1953:2013
UKSI 2008:1597

Notified body storage of technical file:
TÜV Italia 0168

Signed for and on behalf of ANEST IWATA UK Ltd
Saint Neots PE19 8YT, UK - January 1st 2022

Tony Robson
Managing director





EUROPE

ANEST IWATA Strategic Center S.r.l.
Cardano al Campo (VA) - ITALY
info@anest-iwata-st.com
www.anest-iwata-coating.com

ANEST IWATA Deutschland GmbH
Leipzig - GERMANY
info@anest-iwata-de.com
www.anest-iwata-coating.com

ANEST IWATA France S.A.
Saint Quentin Fallavier, Lyon - FRANCE
info@anest-iwata-fr.com
www.anest-iwata-coating.com

ANEST IWATA U.K. Ltd.
St. Neots Cambridgeshire - ENGLAND
info@anest-iwata-uk.com
www.anest-iwata-coating.com

ANEST IWATA Iberica S.L.U.
Saint Adrià del Besos Barcelona - SPAIN
info@anest-iwata-ib.com
www.anest-iwata-coating.com

ANEST IWATA Scandinavia AB.
Partille, Göteborg - SWEDEN
info@anest-iwata-se.com
www.anest-iwata-coating.com

ANEST IWATA Polska Sp. Z o.o.
Jasin / Swarzędz - POLAND
info@anest-iwata-pl.com
www.anest-iwata-coating.com

HEADQUARTER:

ANEST IWATA Corporation
Yokohama - JAPAN
www.anest-iwata.co.jp

ANEST IWATA Strategic Center S.r.l.
Cardano al Campo (VA) - ITALY
info@anest-iwata-st.com
www.anest-iwata-coating.com

RUSSIA

ANEST IWATA Russia LLC
Moscow - RUSSIA
tam@anestiwata.ru - www.anestiwata.ru

NORTH AMERICA

ANEST IWATA Americas, INC.
West Chester - Ohio - U.S.A.
inquiry@anestiwata.com
www.anestiwata.com

MÉXICO

ANEST IWATA México, S.De R.L.De C.V.
Guanajuato - MÉXICO
info@anestiwatamexico.com
www.anestiwatamexico.com

BRAZIL

AIRZAP-ANEST IWATA INDÚSTRIA COMÉRCIO Ltda.
Sao Paulo - BRAZIL
contato@anest-iwata.net.br
www.anest-iwata.net.br

AUSTRALIA

ANEST IWATA Australia Pty Ltd.
Sidney - AUSTRALIA
info@anest-iwata.com.au - www.anest-iwata.com.au

SOUTH AFRICA

ANEST IWATA South Africa Pty Ltd.
Johannesburg - REPUBLIC OF SOUTH AFRICA
www.anest-iwata.co.za

ASIA

ANEST IWATA KOREA Corporation
Ansan City - KOREA
inquiry@aikr.co.kr - www.aikr.co.kr

ANEST IWATA Motherson Coating Equipment Ltd.

Noida - INDIA
sales@aim.motherson.com
www.motherson.com
anest-iwata-motherson.html

ANEST IWATA Shanghai Corporation

Shanghai - CHINA
customer@anest-iwata-sh.com
www.anest-iwata-sh.com

ANEST IWATA Vietnam CO. Ltd.

Ho Chi Minh City - VIETNAM
info@anest-iwata.vn
www.anest-iwatasoutheastasia.com

PT. ANEST IWATA Indonesia

Jakarta - INDONESIA
www.anest-iwatasoutheastasia.com

ANEST IWATA Southeast Asia CO. Ltd.

Bangkok - THAILAND
info@anest-iwata.co.th
www.anest-iwatasoutheastasia.com